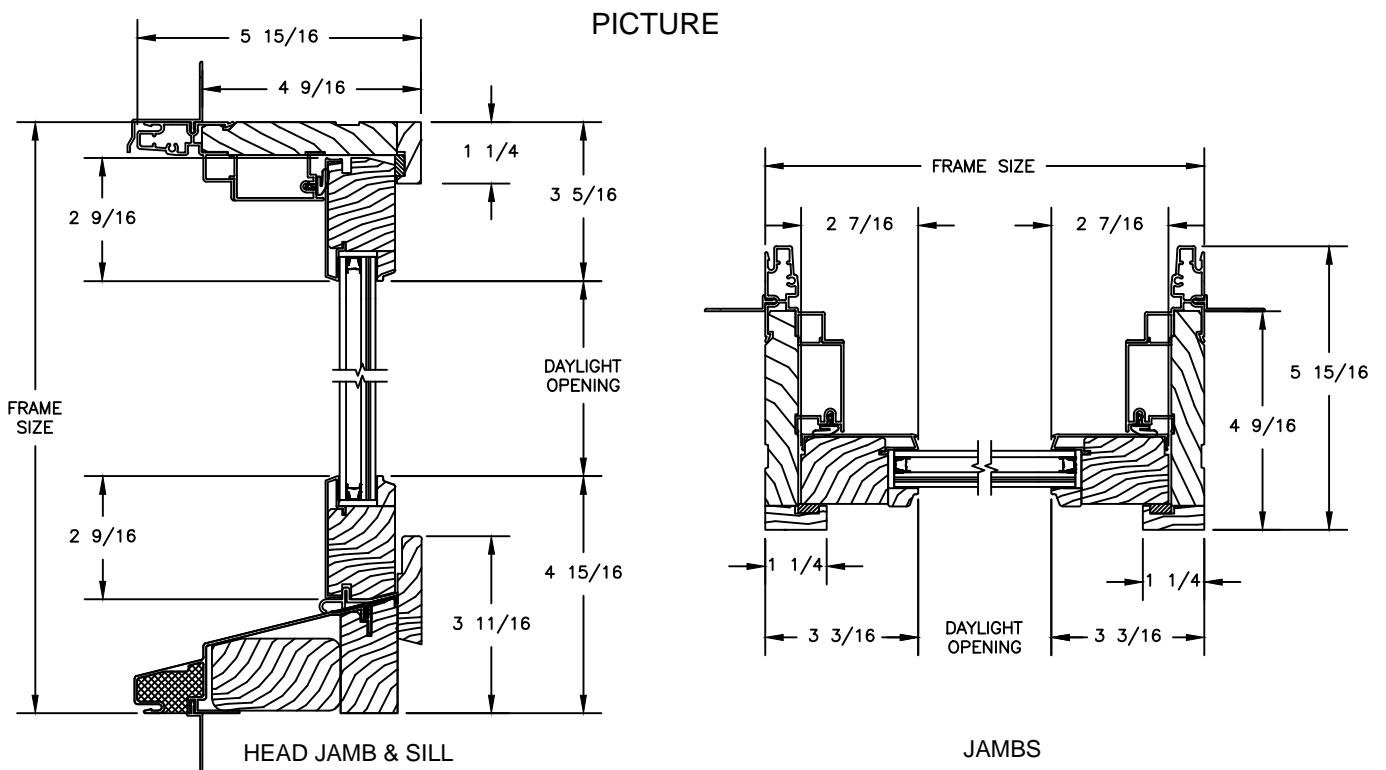
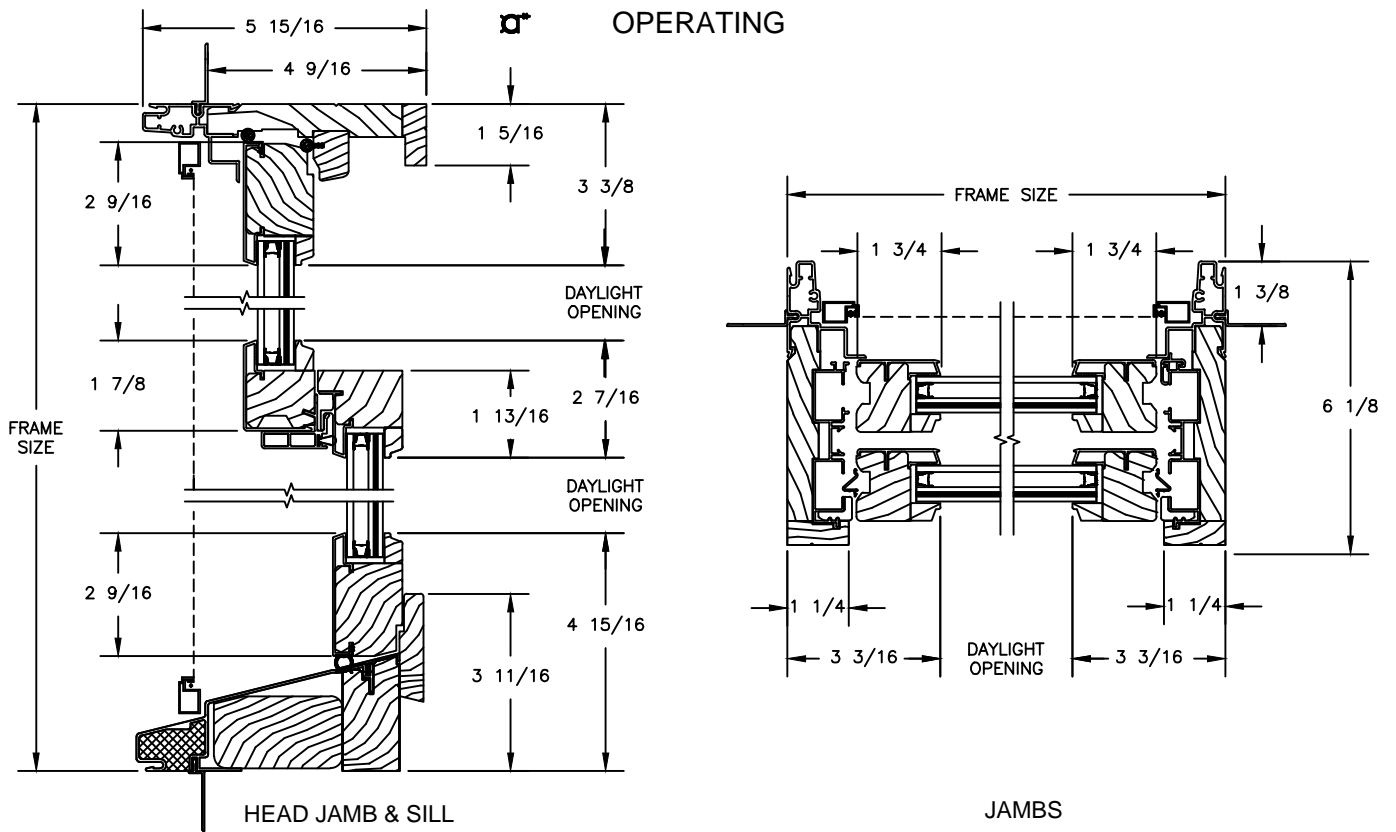


Pinnacle Impact Series

CLAD DOUBLE HUNG

SECTION DETAILS : OPERATING / PICTURE

SCALE: 3" = 1'-0"

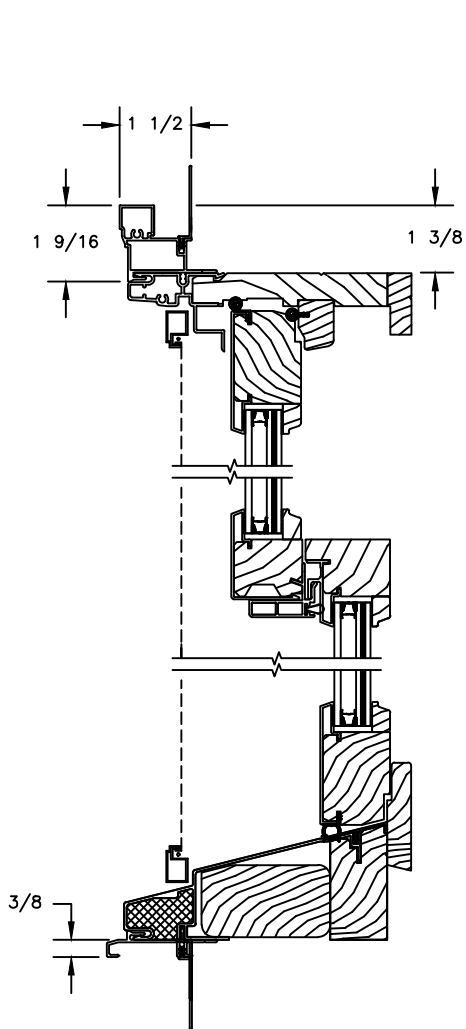


Pinnacle Impact Series

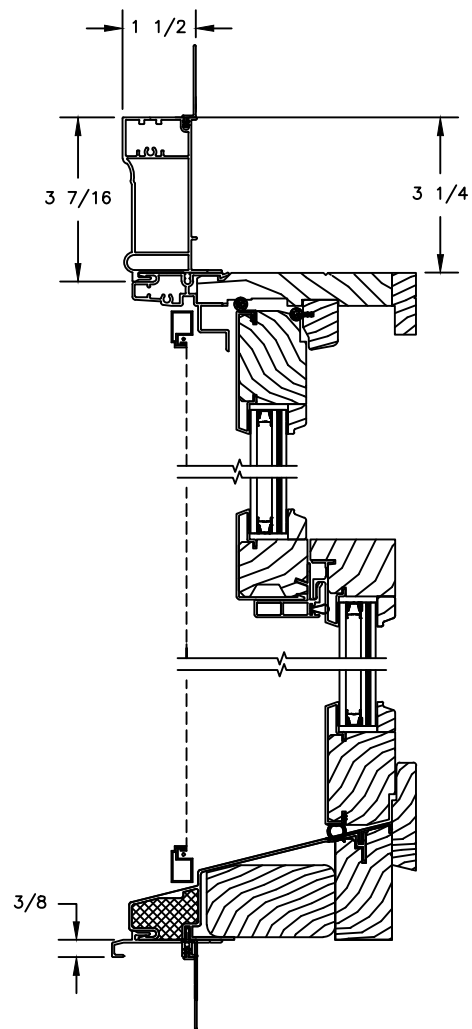
CLAD DOUBLE HUNG

SECTION DETAILS : CASING OPTIONS

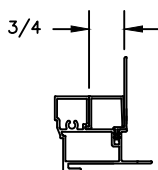
SCALE: 3" = 1'-0"



HEAD JAMB & SILL WITH
CLAD BRICKMOULD CASING



HEAD JAMB & SILL WITH
CLAD WILLIAMSBURG CASING



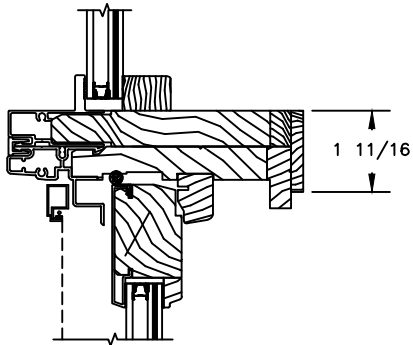
CLAD BRICKMOULD CASING
WITH OPTIONAL J-CHANNEL COVER

Pinnacle Impact Series

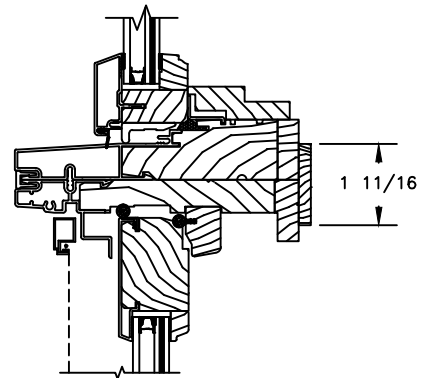
CLAD DOUBLE HUNG

SECTION DETAILS : MULLIONS

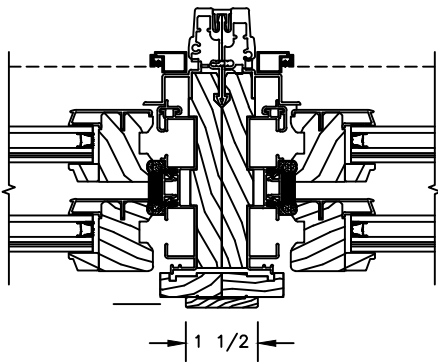
SCALE: 3" = 1'-0"



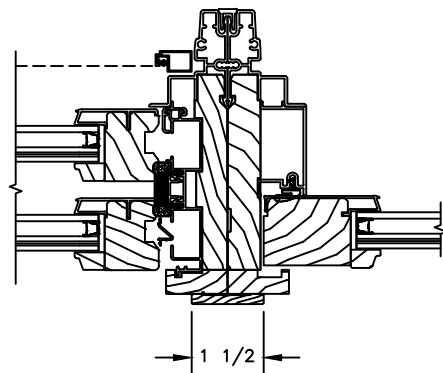
HORIZONTAL MULLION
RADIUS/OPERATOR



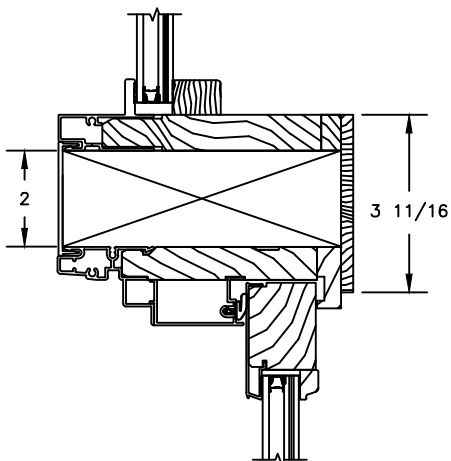
HORIZONTAL MULLION
TRANSOM/OPERATOR



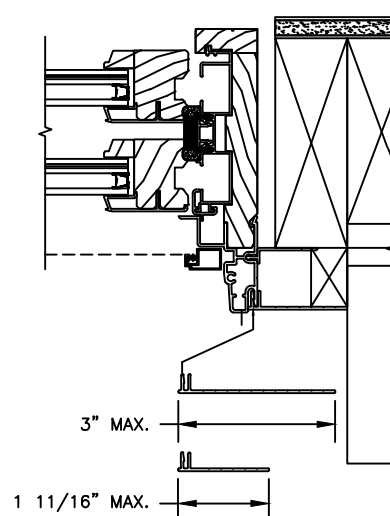
VERTICAL MULLION
OPERATOR/OPERATOR



VERTICAL MULLION
OPERATOR/PICTURE



HORIZONTAL MULLION WITH
2" SPREAD MULL
ADDITIONAL WIDTHS INCLUDE:
1", 2", 2 1/2", 3", & 4"



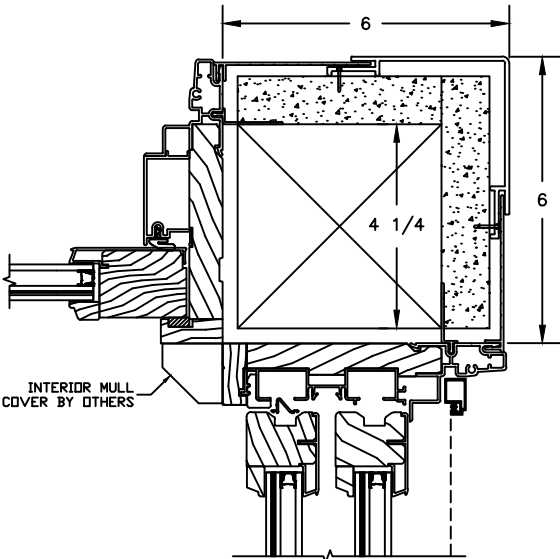
OPTIONAL FRAME
EXPANDERS

Pinnacle Impact Series

CLAD DOUBLE HUNG

SECTION DETAILS : MULLIONS

SCALE: 3" = 1'-0"



90° MULLION
PICTURE/OPERATOR
(ONLY USED WITH 4 9/16" JAMB & 3 1/4"
FRAME EXPANDER)


Pinnacle Impact Series

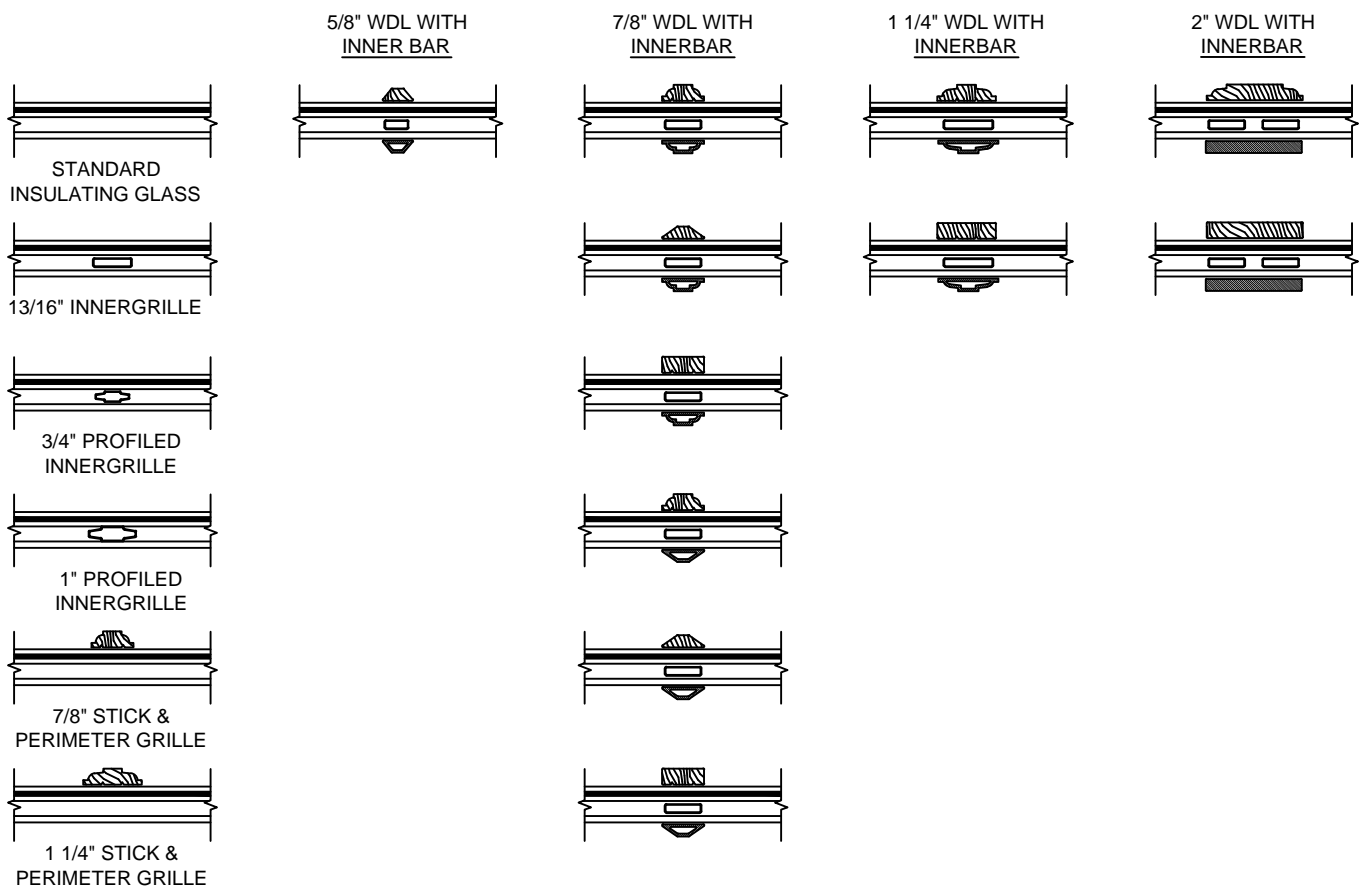
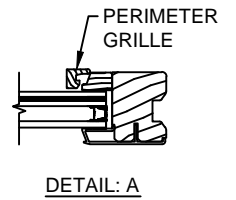
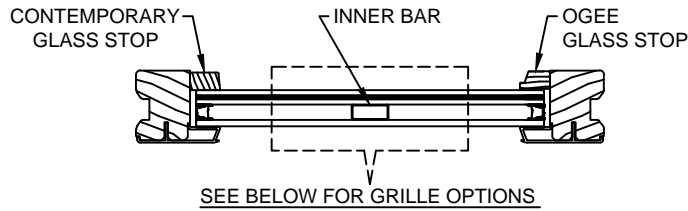
CLAD DOUBLE HUNG

SECTION DETAILS : GLASS STOP & DIVIDED LITE OPTIONS

SCALE: 3" = 1'-0"

AVAILABLE STYLES

-  - PUTTY
-  - OGEE
-  - CONTEMPORARY



NOTE:

* ALL WDL OPTIONS CAN BE ORDERED WITH OR WITHOUT INNER BAR

* PERIMETER GRILLES ONLY AVAILABLE IN THE 7/8" AND 1 1/4" OGEE STYLE GLASS STOP (SEE DETAIL: A)