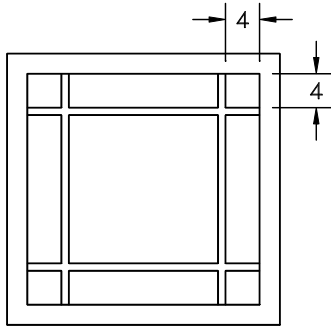


Prairie Lite Guidelines

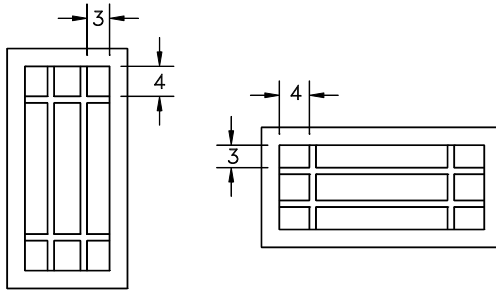
Case 1. Glass Width and Height $\geq 20''$

- Prairie patterns for these units will have approximately a 4" daylight between the bars and the edge of glass.



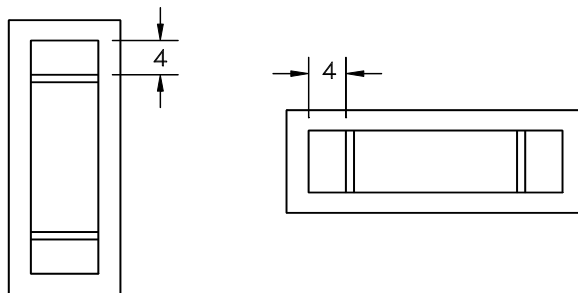
Case 2. $14'' \leq$ Glass Width or Height $< 20''$

- Prairie patterns for these units will have approximately a 3" daylight in the short dimension while still maintaining a 4" daylight in the long dimension.



Case 3. Glass Width or Height $< 14''$

- Prairie patterns for these units will have No Bars parallel to the long dimension while still maintaining a 3" or 4" daylight in the other direction.



IMPORTANT: When ordering windows with prairie lite patterns, it is the customer's responsibility to make sure the grilles align in any mullied or combination unit. **Orders for Prairie units with bar spacing other than described above will require a customer approval drawing .**