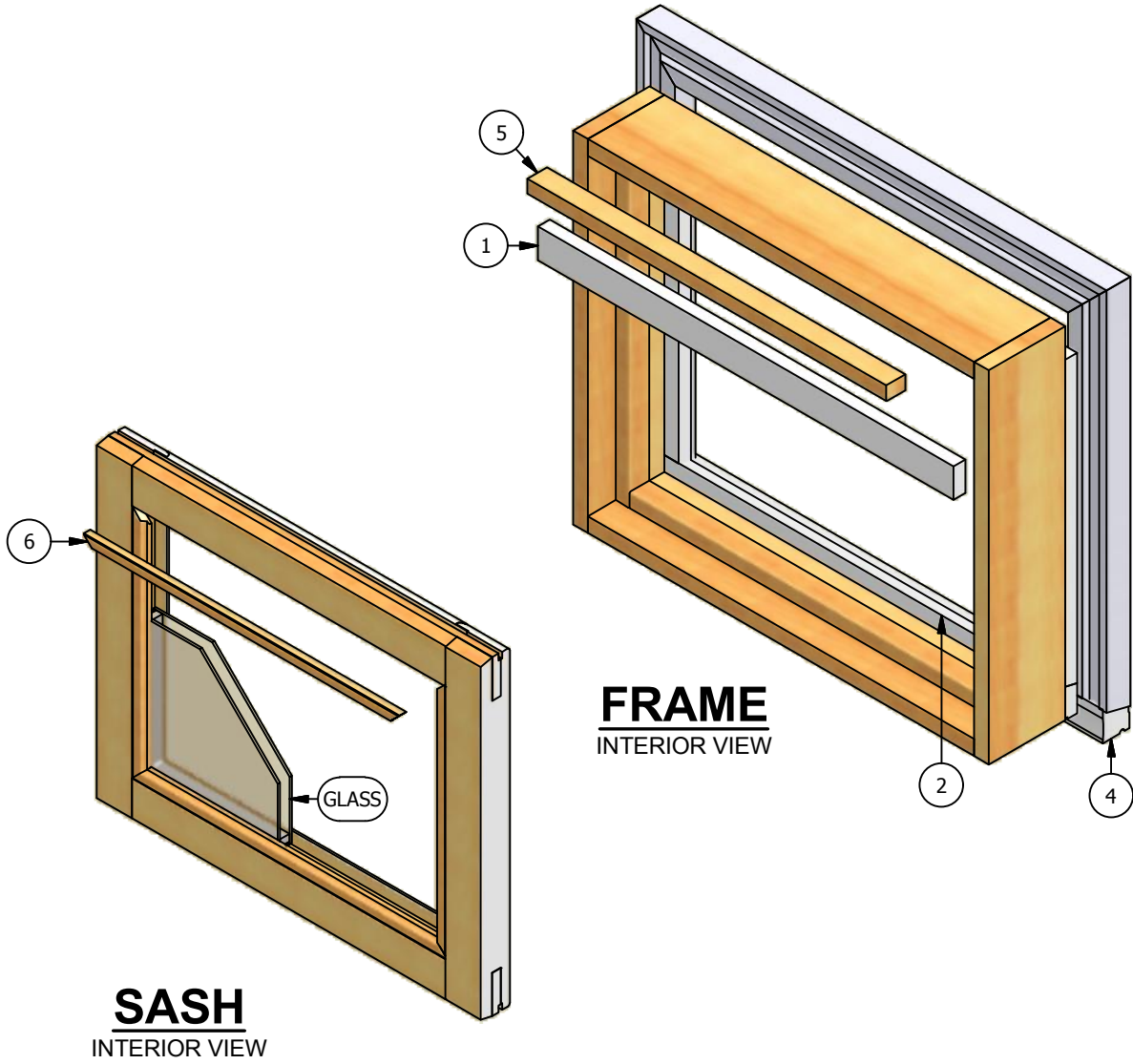


Pinnacle Series

Primed Double Hung (Transom)

Parts Identification





Pinnacle Series

Primed Double Hung (Transom)

Parts Identification

Image	Item #	Description	Color / Finish / Size	Spec	Part #
	1	Outside Stop (Head & Sides)	12' Lineal Length		2380014
	2	Sill Outside Stop	12' Lineal Length		2380057
	3	Exterior Casing (Head & Sides) (See Accessory section for other options)	14' Lineal Length		2390003
	4	Sill Nose (See Accessory Section for other options)	12' Lineal Length		2380010
	5	Inside Stop	16' Pine Lineal		2370474
	6	Ogee Glass Stop	8' Pine Lineal		2381090
		Glazing Tape 1/16" x 3/16" Double Faced	Black - 216 ft Roll		2381420
		Contemporary Glass Stop	8' Pine Lineal 8' Alder Lineal 8' Fir Lineal		2922303 2922303-A 2922303-F
		Glazing Tape 1/16" x 3/16" Double Faced	Black - 216 ft Roll		2381420
Not Shown on Assembly Dwg					