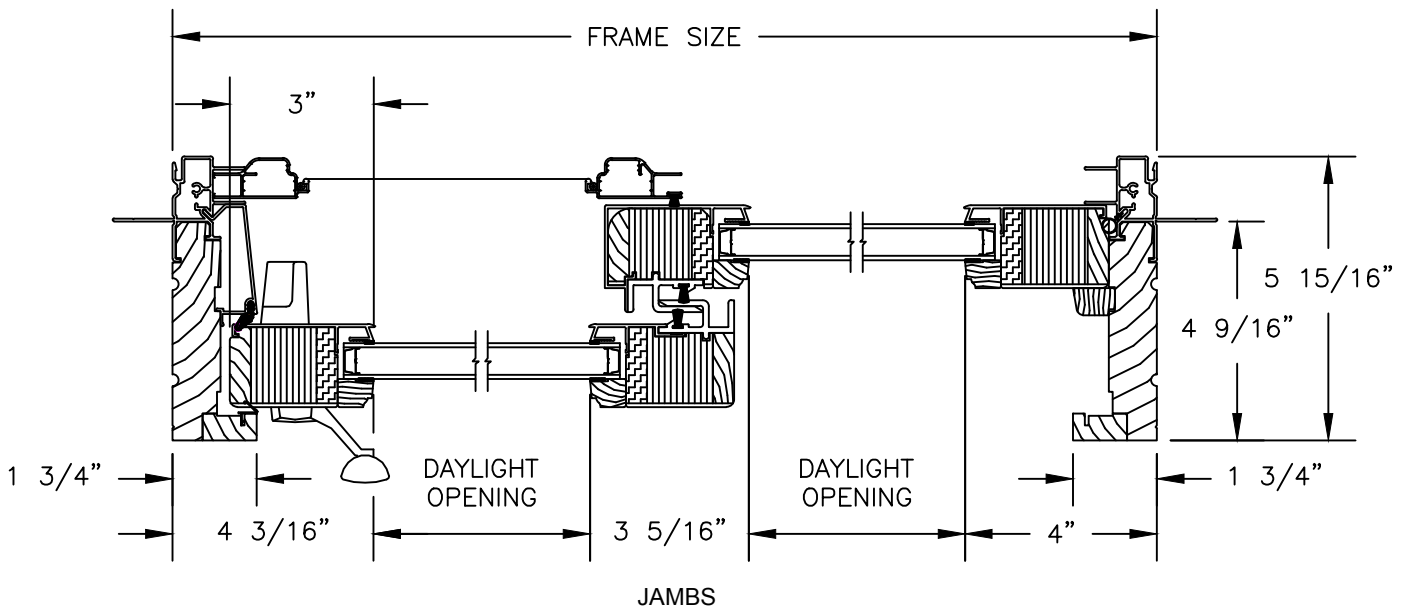
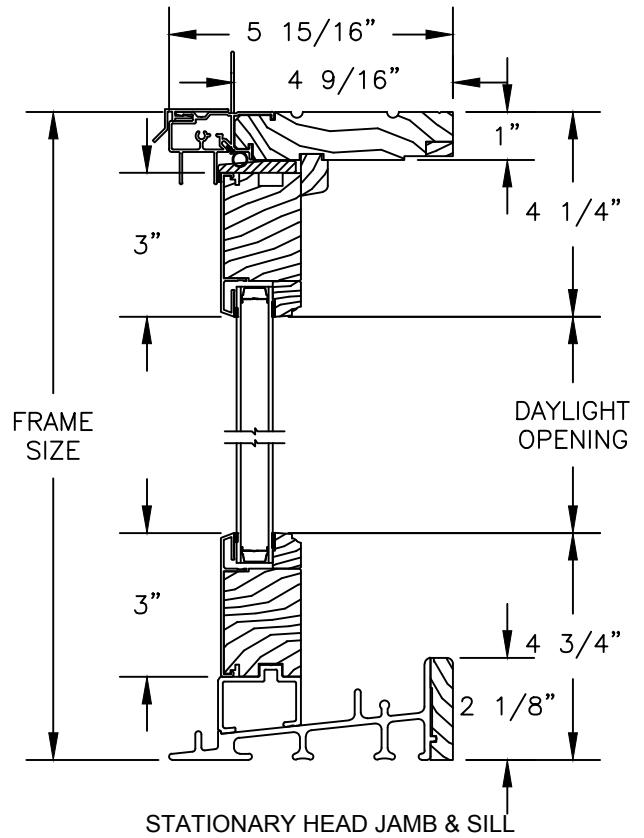
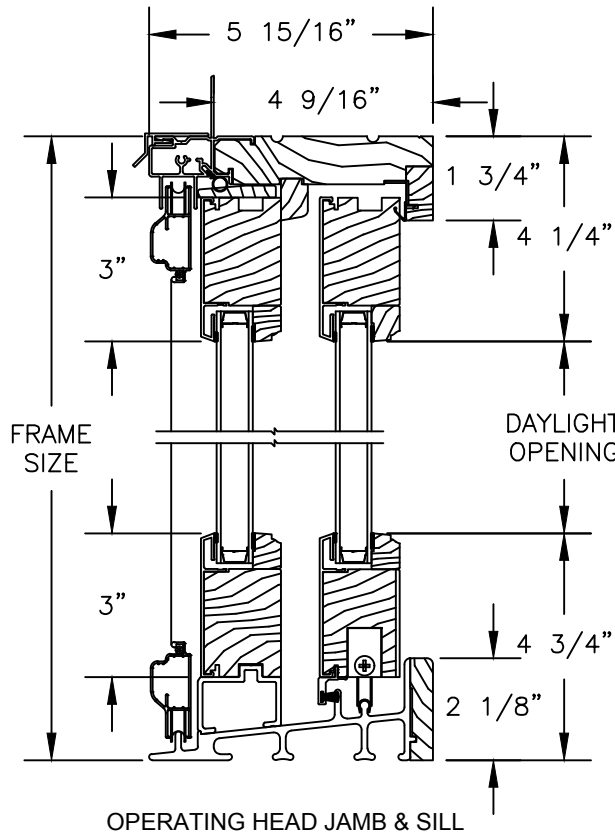


# Pinnacle Series

## CLAD PATIO DOOR - NARROW SLIDER

SECTION DETAILS

SCALE: 3" = 1'-0"

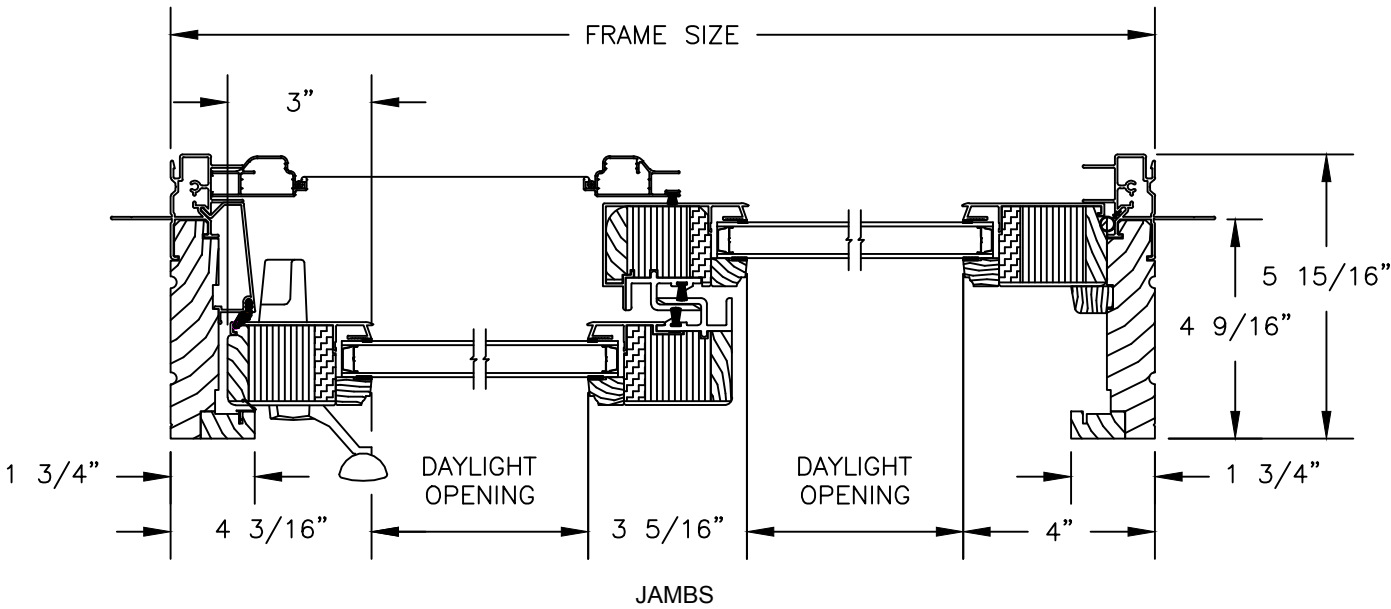
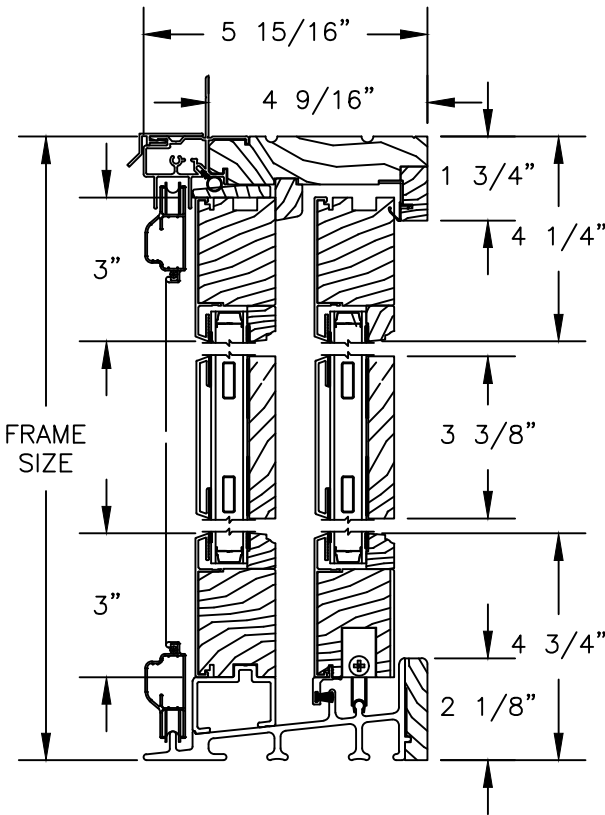


# Pinnacle Series

## CLAD PATIO DOOR - NARROW SIMULATED MIDRAIL

SECTION DETAILS

SCALE: 3" = 1'-0"

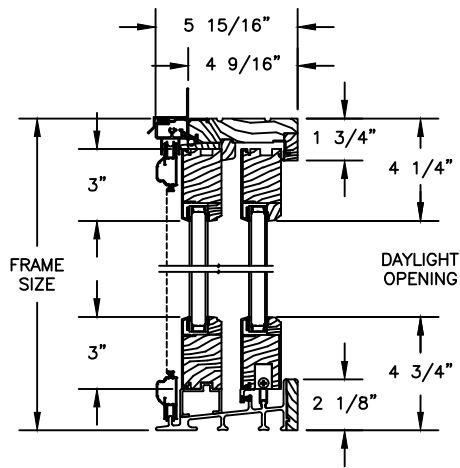


# Pinnacle Series

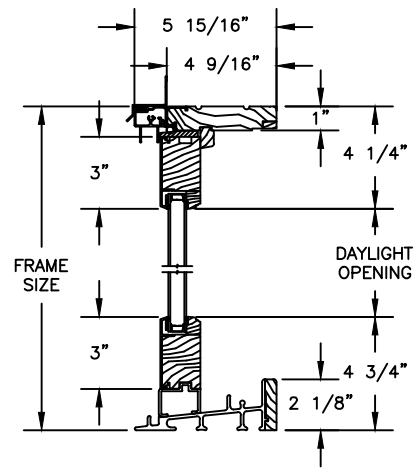
## CLAD PATIO DOOR - NARROW SLIDER

SECTION DETAILS

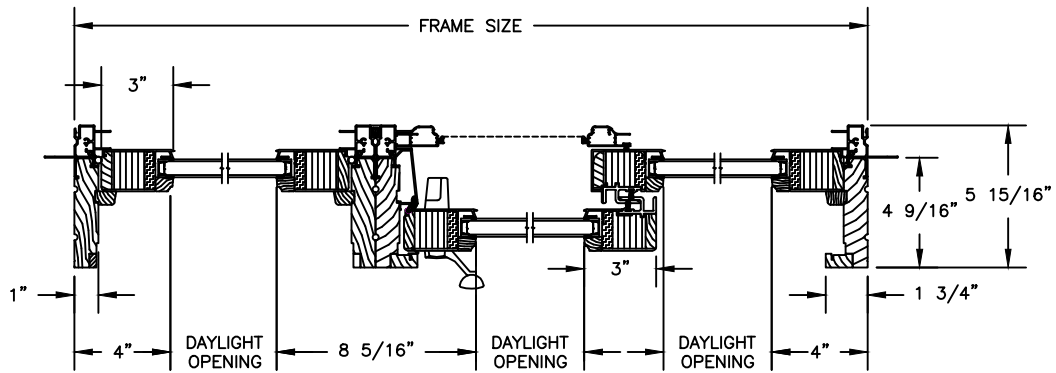
SCALE: 1 1/2" = 1'-0"



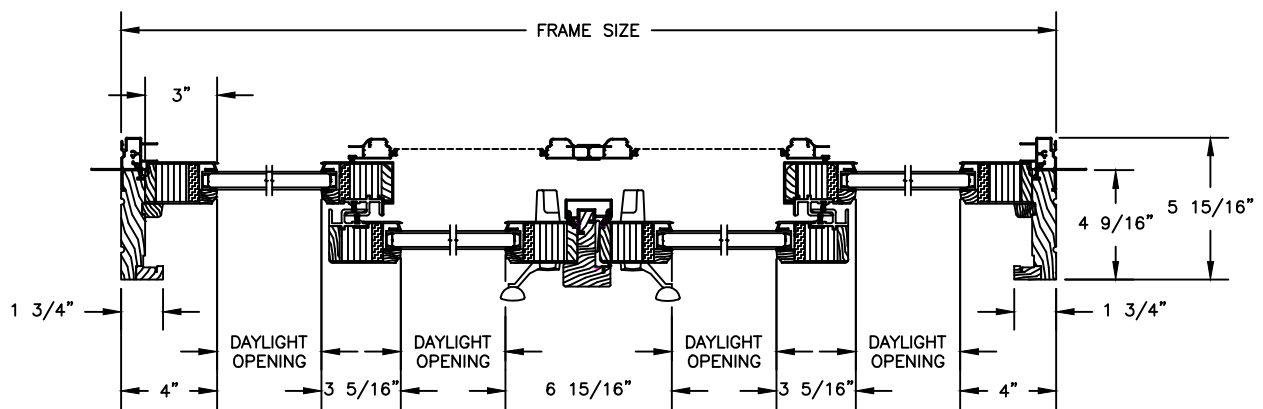
OPERATING HEAD JAMB & SILL



STATIONARY HEAD JAMB & SILL



OPERATING UNIT WITH STATIONARY UNIT



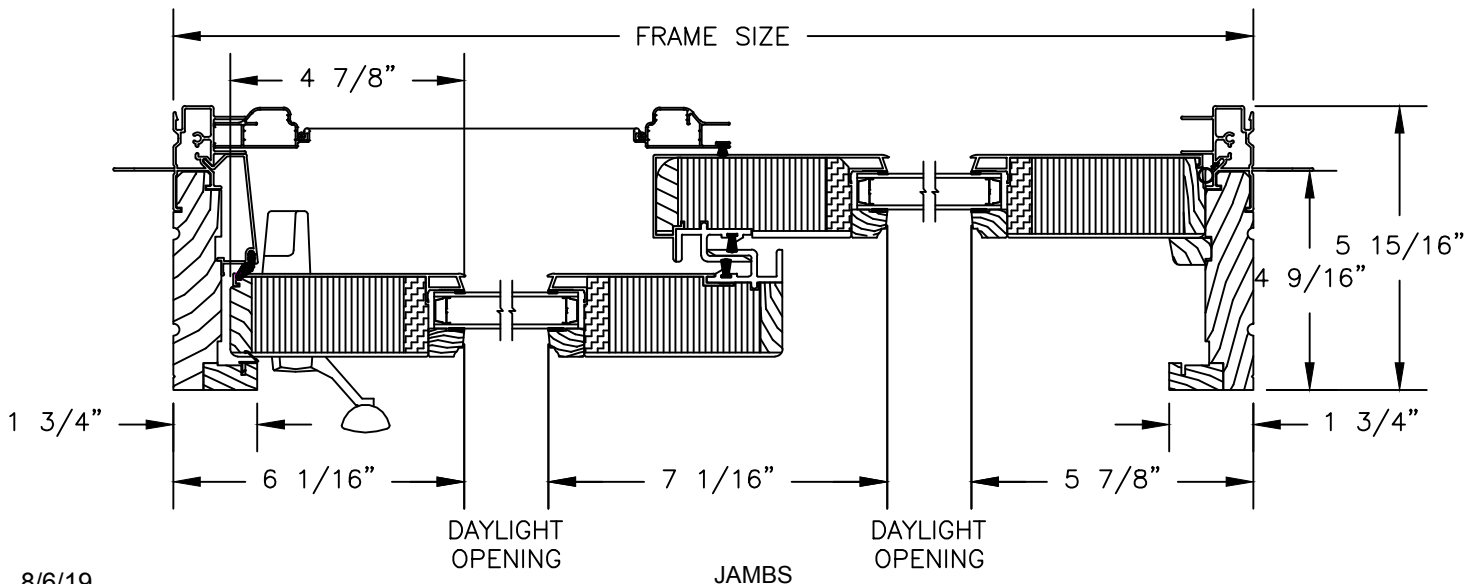
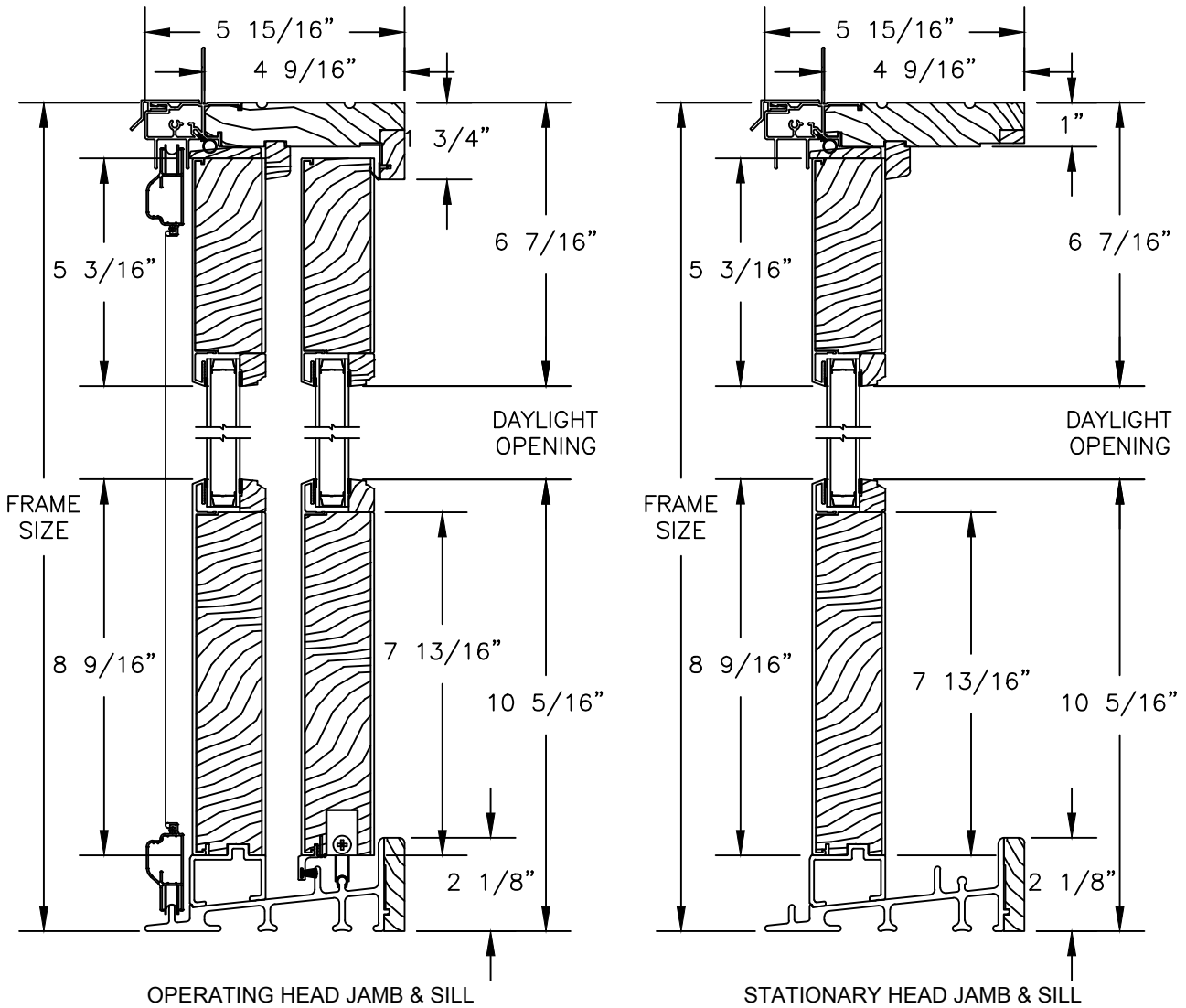
QUAD UNIT

# Pinnacle Series

## CLAD PATIO DOOR - FRENCH SLIDER

SECTION DETAILS

SCALE: 3" = 1'-0"

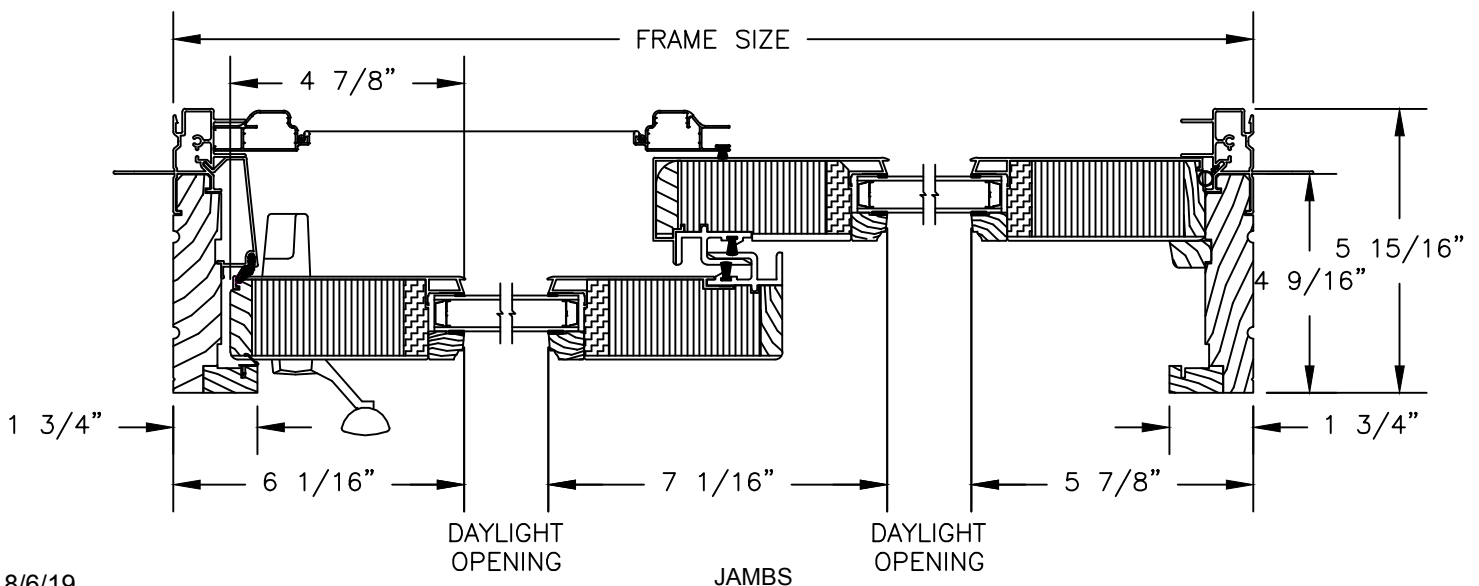
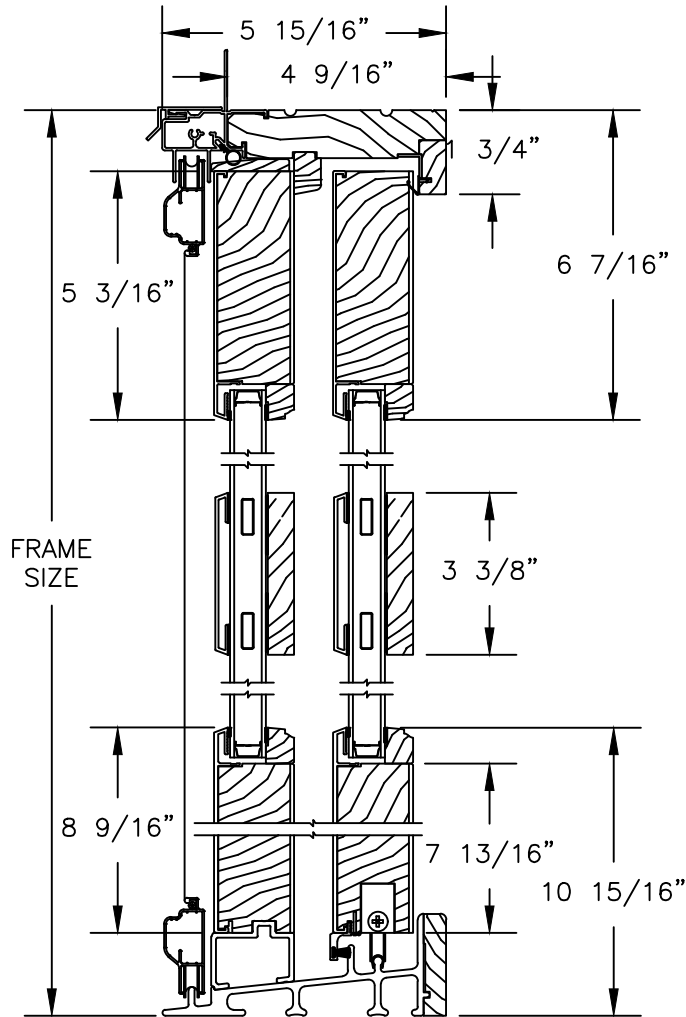


# Pinnacle Series

## CLAD PATIO DOOR - FRENCH SIMULATED MIDRAIL

SECTION DETAILS

SCALE: 3" = 1'-0"

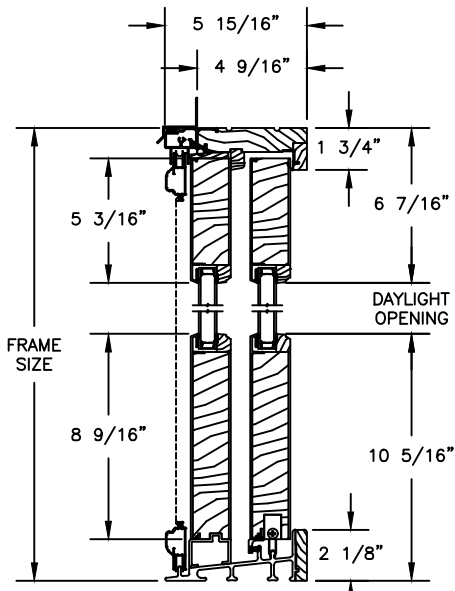


# Pinnacle Series

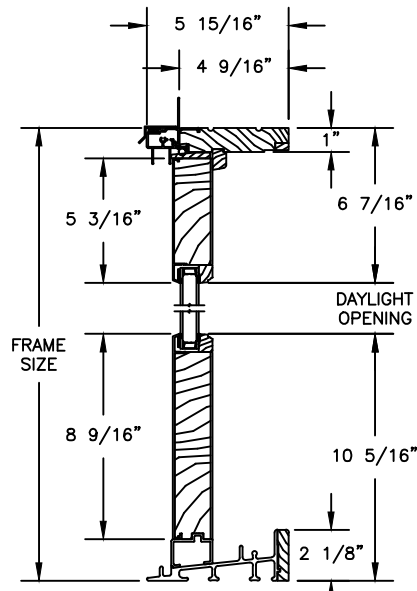
## CLAD PATIO DOOR - FRENCH SLIDER

SECTION DETAILS

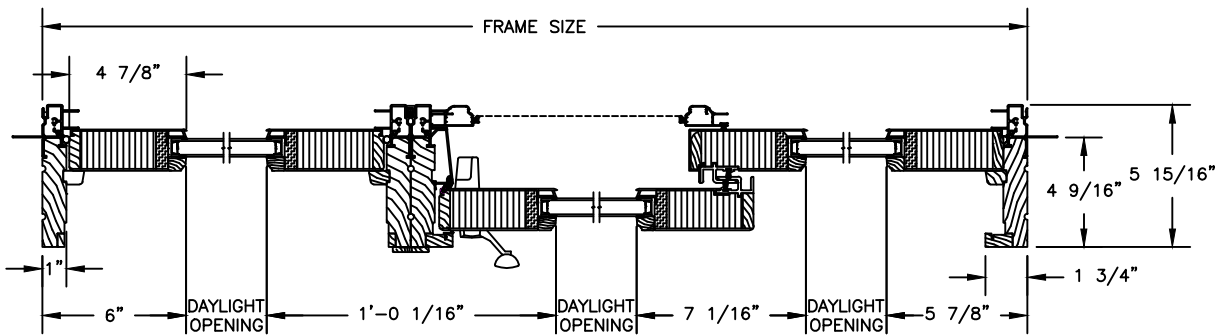
SCALE: 1 1/2" = 1'-0"



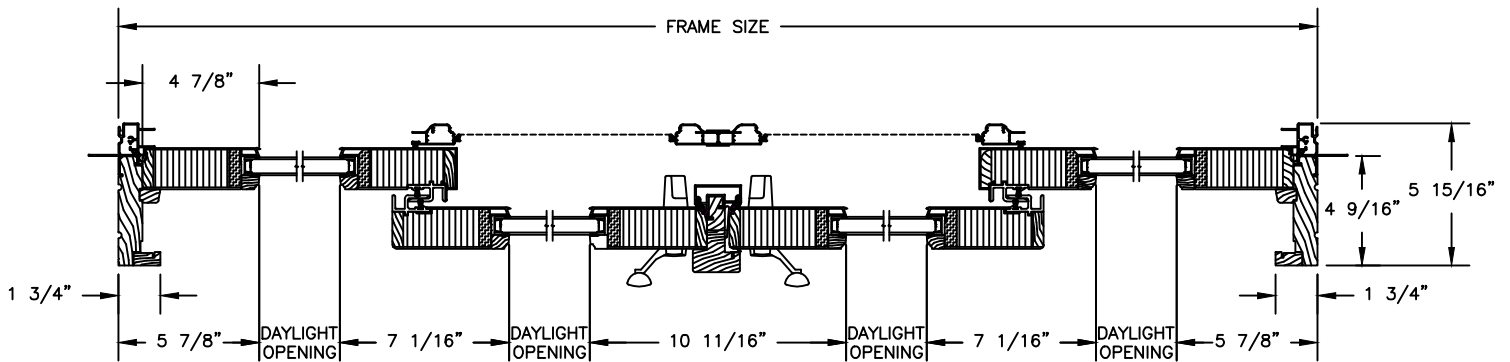
OPERATING HEAD JAMB & SILL



STATIONARY HEAD JAMB & SILL



OPERATING UNIT WITH STATIONARY UNIT

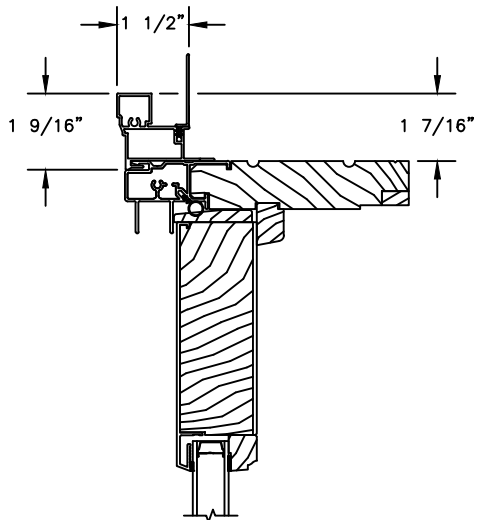


QUAD UNIT

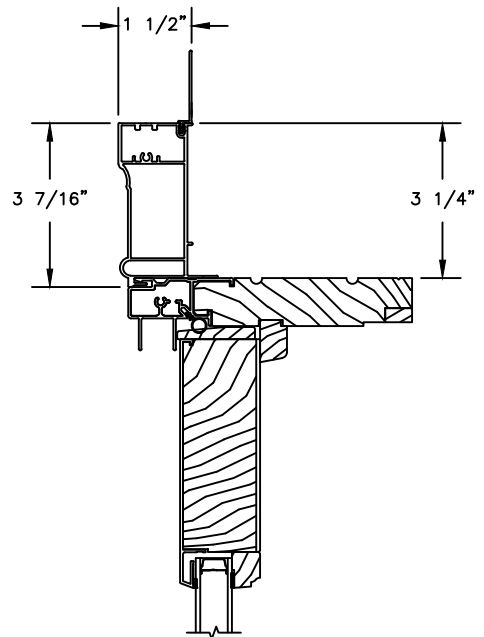
# Pinnacle Series

## CLAD SLIDING PATIO DOOR

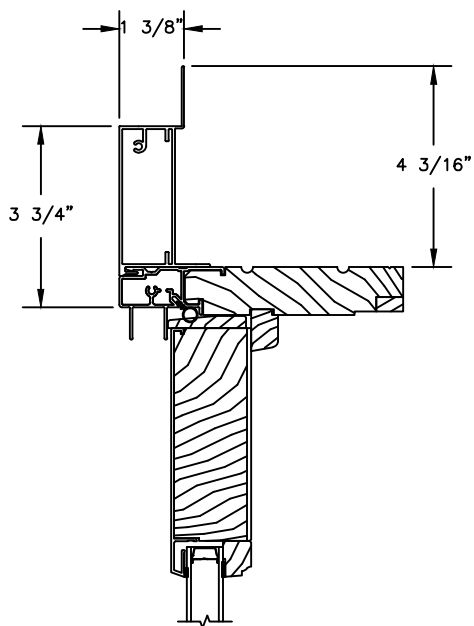
SECTION DETAILS : CASING OPTIONS  
 SCALE: 3" = 1'-0"



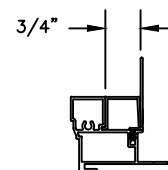
HEAD JAMB & SILL WITH  
 CLAD BRICKMOULD CASING



HEAD JAMB & SILL WITH  
 CLAD WILLIAMSBURG CASING



HEAD JAMB & SILL WITH  
 CLAD WILLIAMSBURG CASING



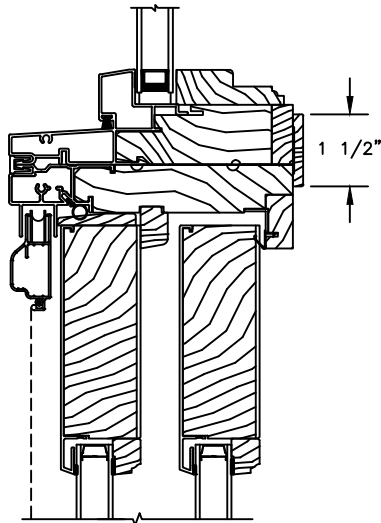
CLAD BRICKMOULD CASING  
 WITH OPTIONAL J-CHANNEL COVER

# Pinnacle Series

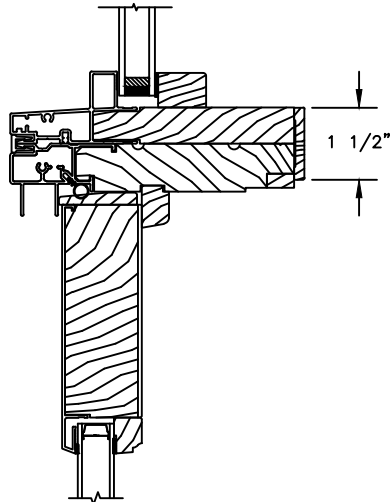
## CLAD SLIDING PATIO DOOR

SECTION DETAILS : MULLIONS  
 SCALE: 3" = 1'-0"

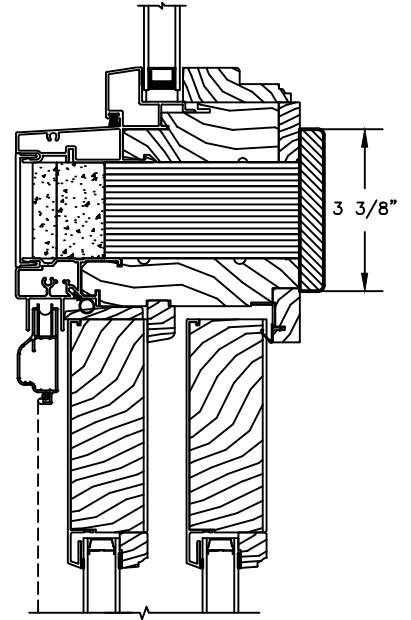
### FRENCH SLIDER



HORIZONTAL MULLION  
 DIRECT SET/OPERATOR

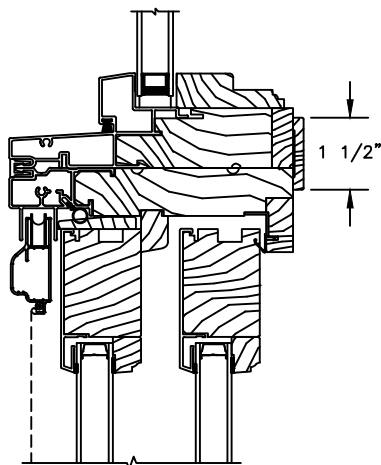


HORIZONTAL MULLION  
 RADIUS/STATIONARY

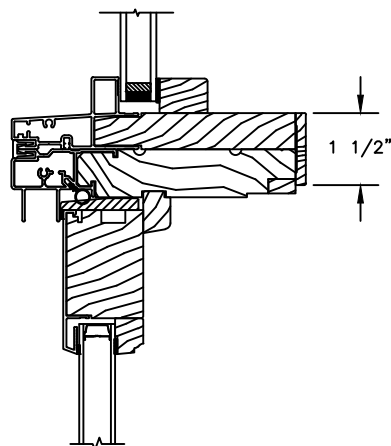


HORIZONTAL MULLION WITH  
 2" SPREAD MULL  
 DIRECT SET/OPERATOR  
 ADDITIONAL WIDTHS INCLUDE:  
 1", 2", 2 1/2", 3", & 4"

### NARROW SLIDER



HORIZONTAL MULLION  
 DIRECT SET/OPERATOR



HORIZONTAL MULLION  
 RADIUS/STATIONARY

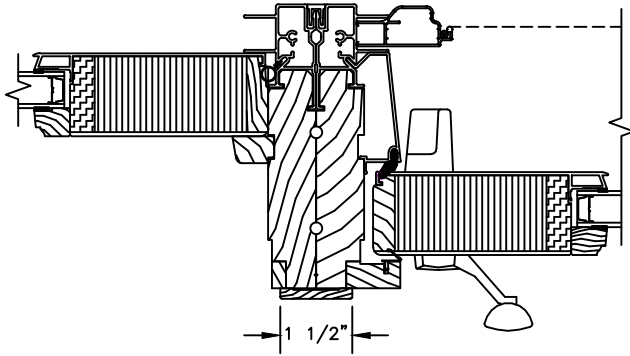


# Pinnacle Series

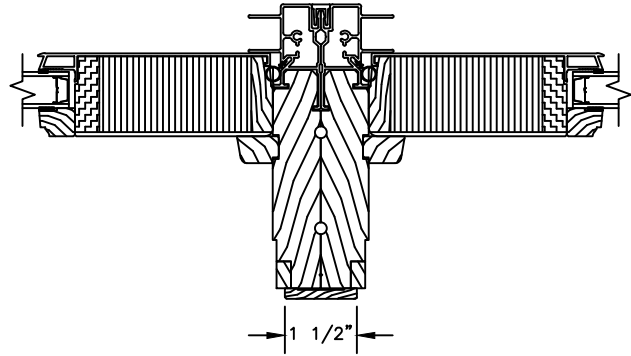
## CLAD SLIDING PATIO DOOR

SECTION DETAILS : MULLIONS  
 SCALE: 3" = 1'-0"

### FRENCH SLIDER

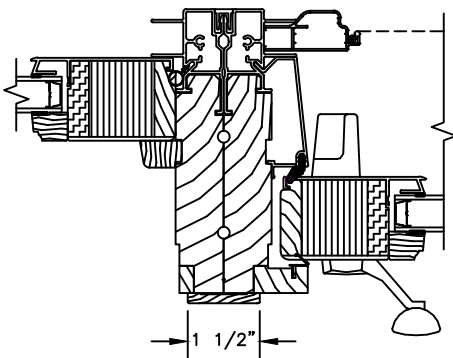


VERTICAL MULLION  
 STATIONARY/OPERATOR

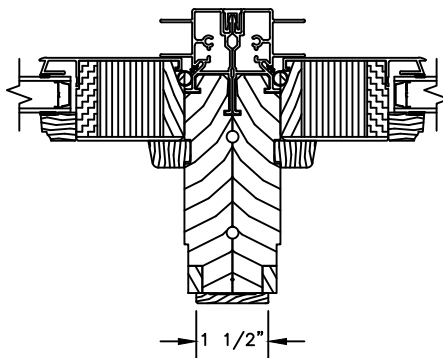


VERTICAL MULLION  
 STATIONARY/STATIONARY

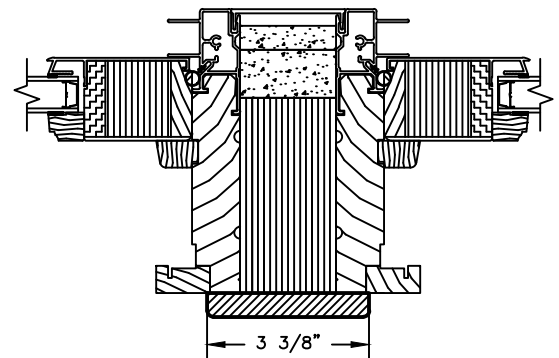
### NARROW SLIDER



VERTICAL MULLION  
 STATIONARY/OPERATOR



VERTICAL MULLION  
 STATIONARY/STATIONARY



VERTICAL MULLION WITH  
 2" SPREAD MULL  
 STATIONARY/STATIONARY  
 ADDITIONAL WIDTHS INCLUDE:  
 1", 2", 2 1/2", 3", & 4"




# Pinnacle Series

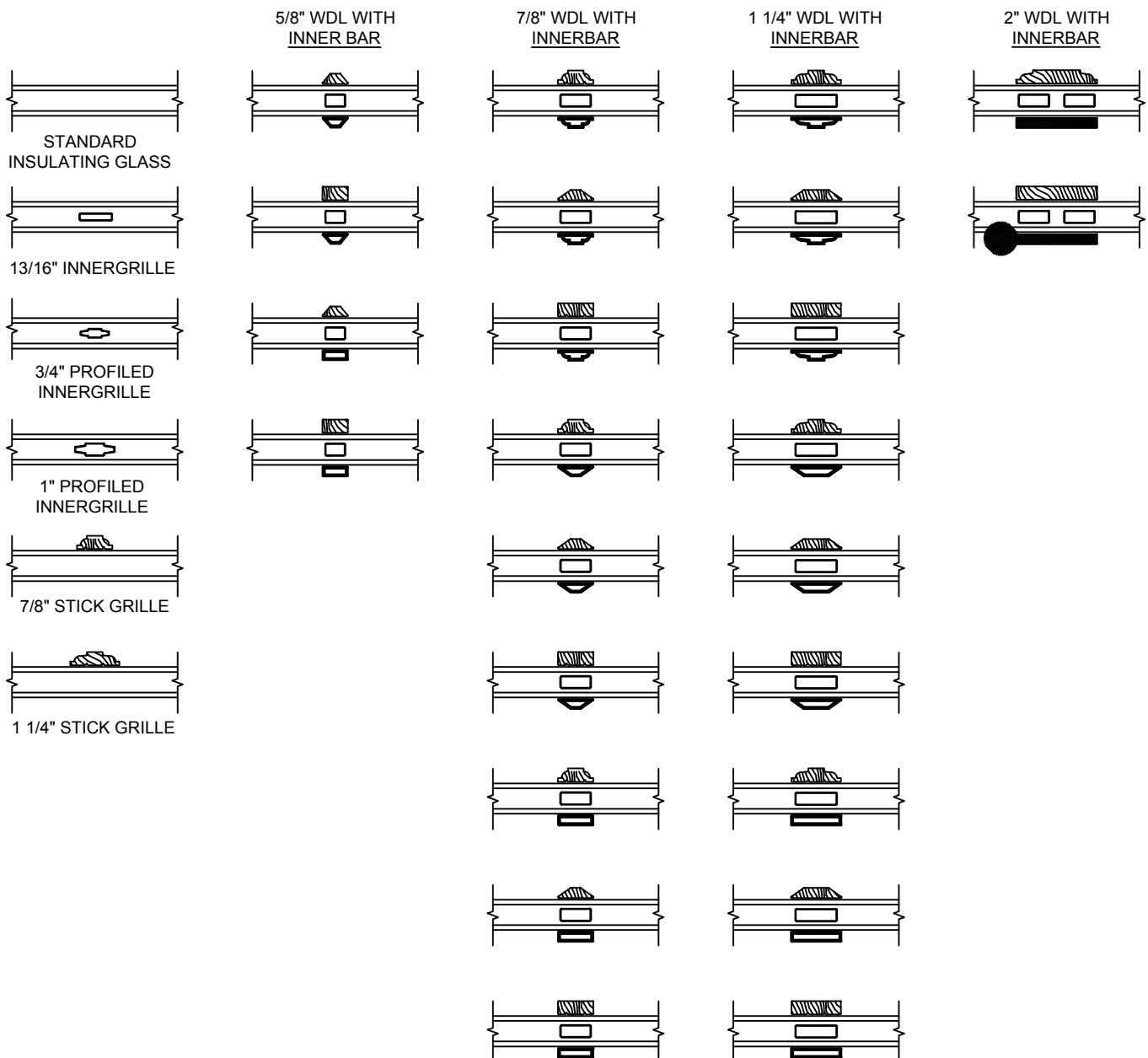
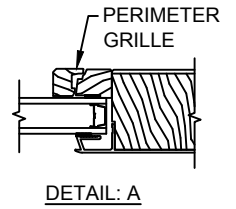
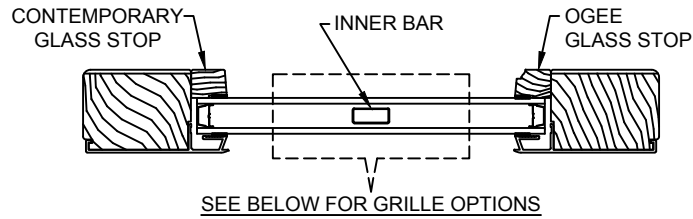
## CLAD PATIO DOOR - FRENCH SLIDER

SECTION DETAILS : GLASS STOP & DIVIDED LITE OPTIONS

SCALE: 3" = 1'-0"

### AVAILABLE STYLES

-  - PUTTY
-  - OGEE
-  - CONTEMPORARY



**NOTE:**

\* ALL WDL OPTIONS CAN BE ORDERED WITH OR WITHOUT INNER BAR

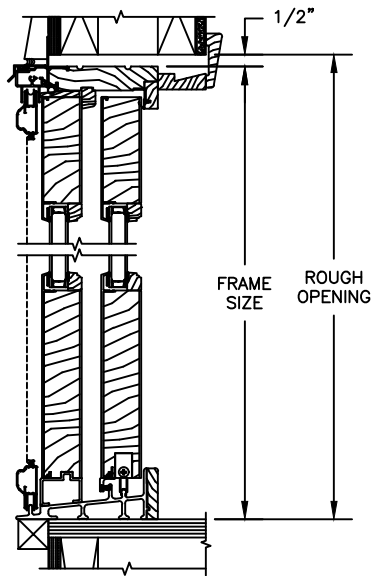
\* PERIMETER GRILLES ONLY AVAILABLE IN THE 7/8" AND 1 1/4" OGEE STYLE GLASS STOP (SEE DETAIL: A)

# Pinnacle Series

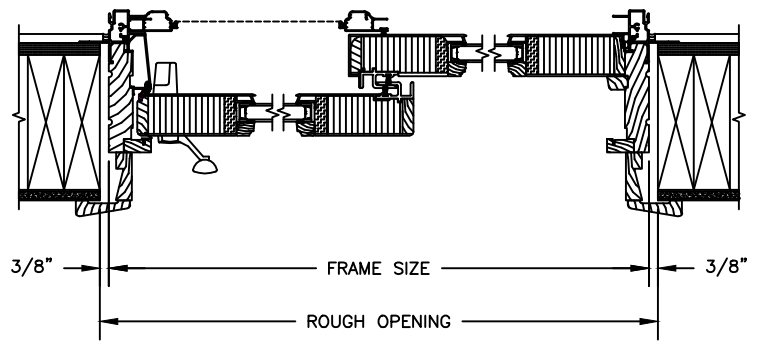
## CLAD PATIO DOOR - FRENCH SLIDER

SECTION DETAILS : CONSTRUCTION

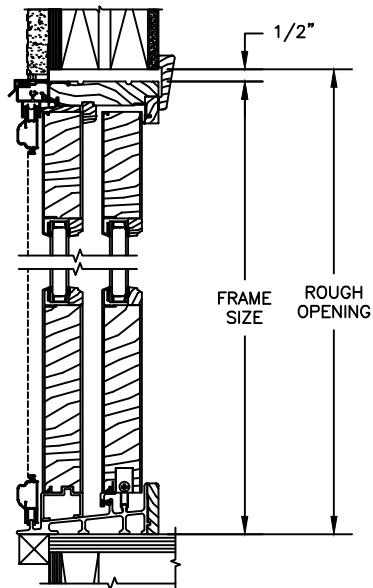
SCALE: 1 1/2" = 1'-0"



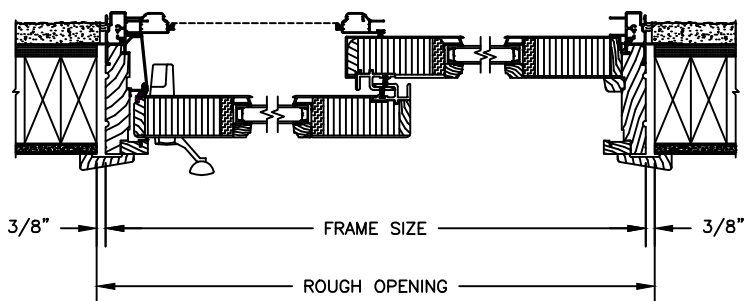
HEAD JAMB & SILL  
2 X 6 FRAME WITH SIDING



JAMBS  
2 X 6 FRAME WITH SIDING



HEAD JAMB & SILL  
2 X 4 FRAME WITH STUCCO



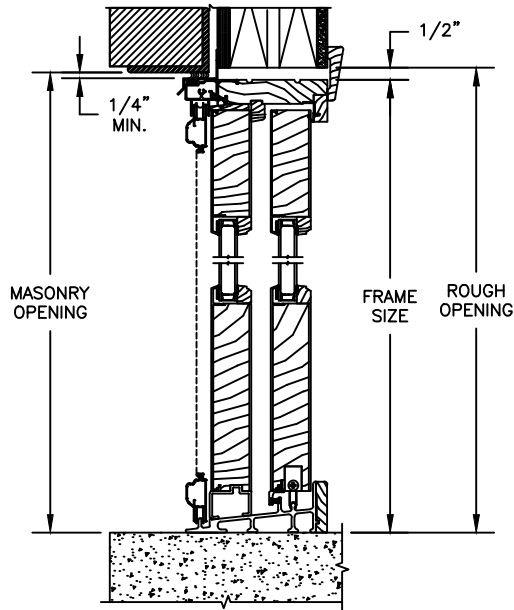
JAMBS  
2 X 4 FRAME WITH STUCCO

# Pinnacle Series

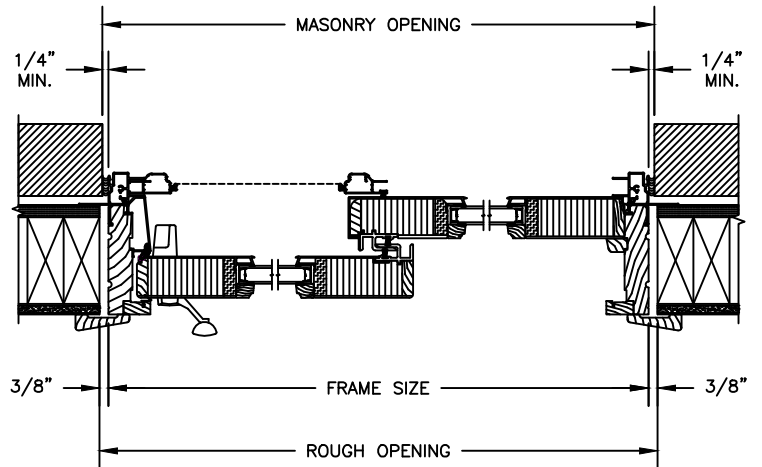
## CLAD PATIO DOOR - FRENCH SLIDER

SECTION DETAILS : CONSTRUCTION

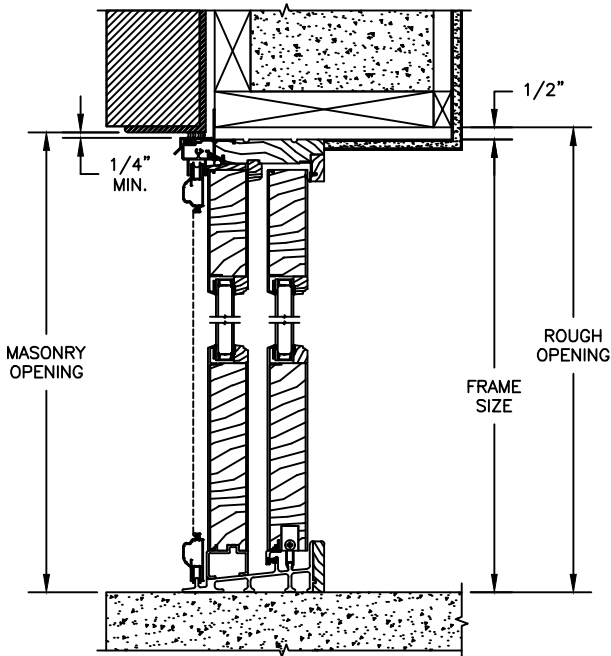
SCALE: 1 1/2" = 1'-0"



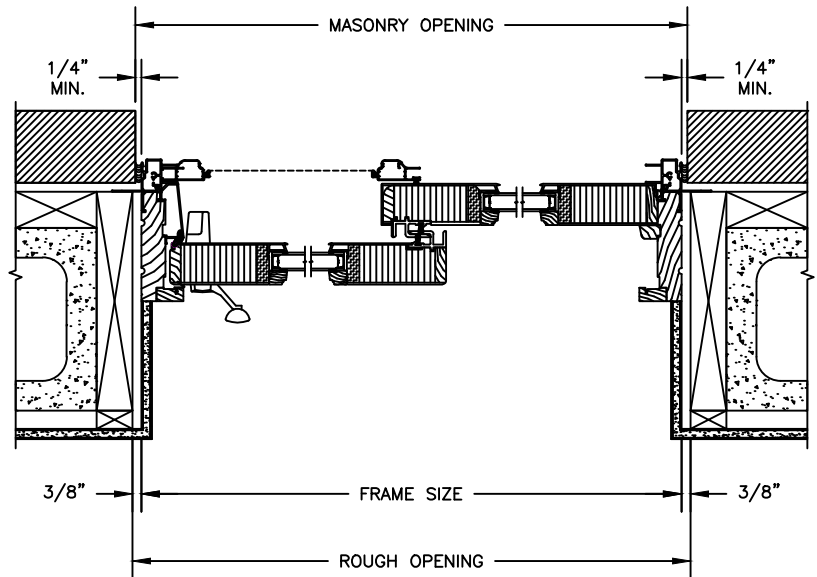
HEAD JAMB & SILL  
2 X 6 FRAME WITH BRICK VENEER



JAMBS  
2 X 6 FRAME WITH BRICK VENEER



HEAD JAMB & SILL  
8" CONCRETE BLOCK WALL  
WITH BRICK VENEER



JAMBS  
8" CONCRETE BLOCK WALL  
WITH BRICK VENEER