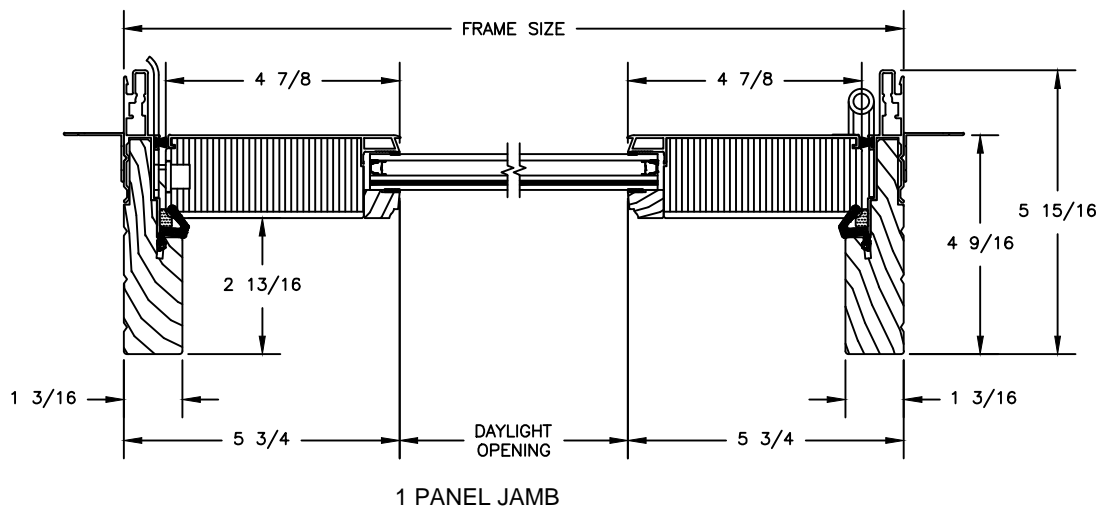
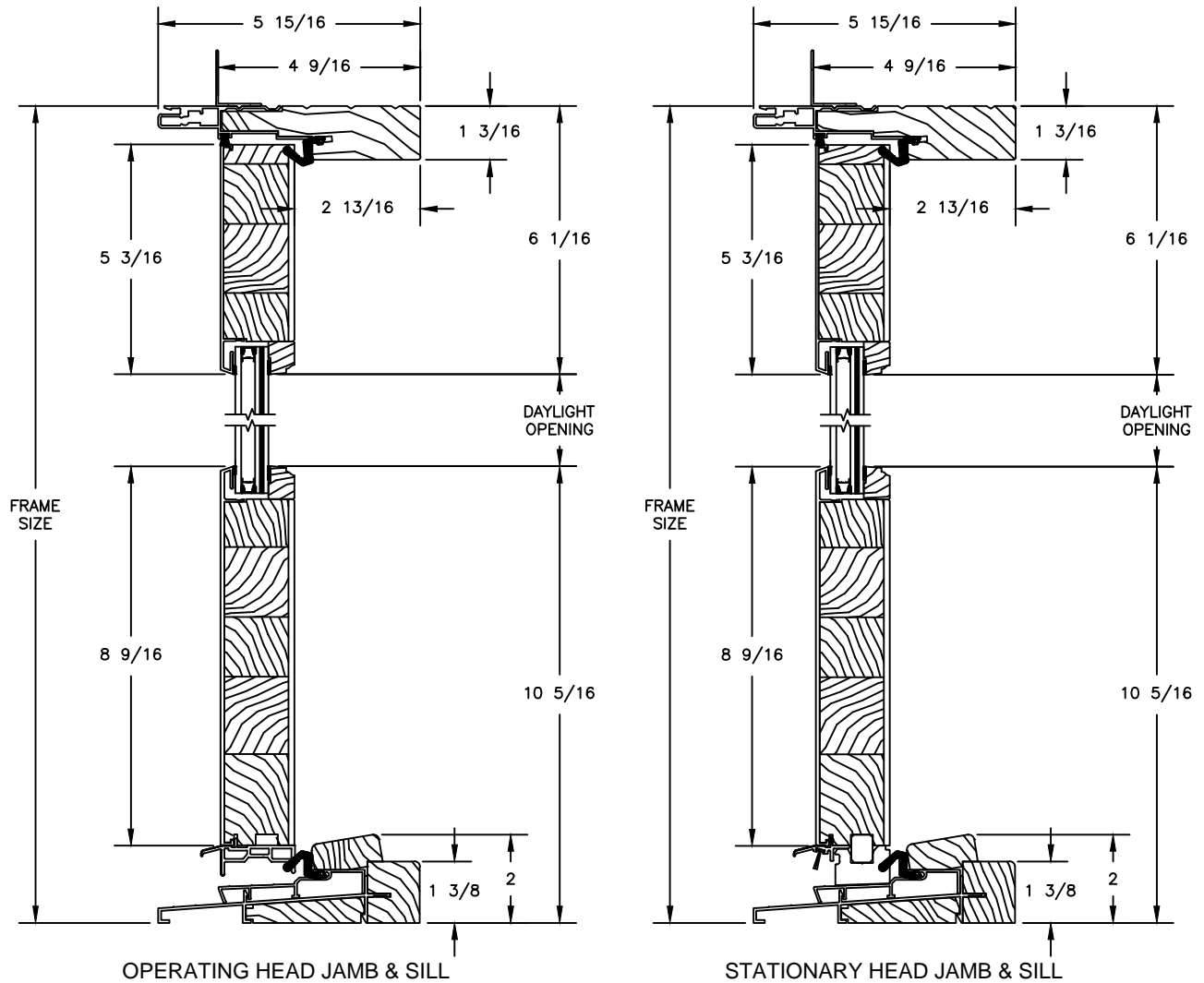


Pinnacle Impact Series

CLAD PATIO DOOR - OUTSWING

SECTION DETAILS
 SCALE: 3" = 1'-0"

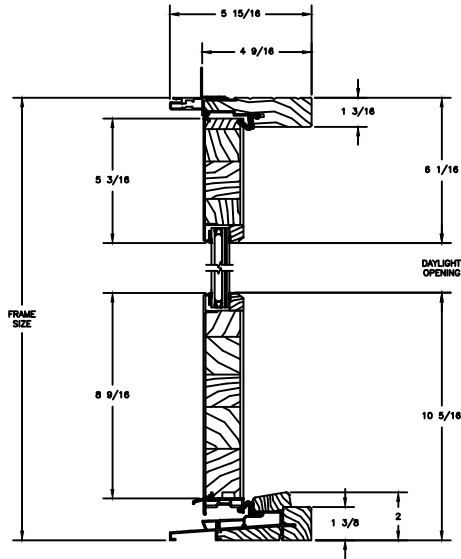


Pinnacle Impact Series

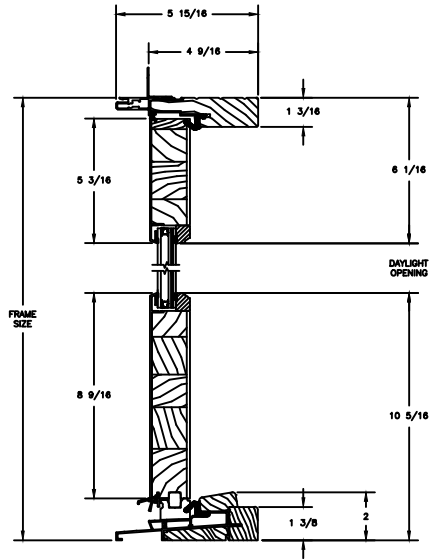
CLAD PATIO DOOR - OUTSWING

SECTION DETAILS

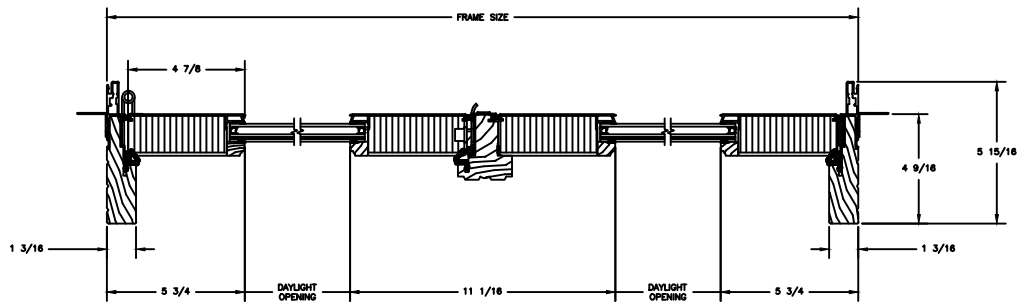
SCALE: 1 1/2" = 1'-0"



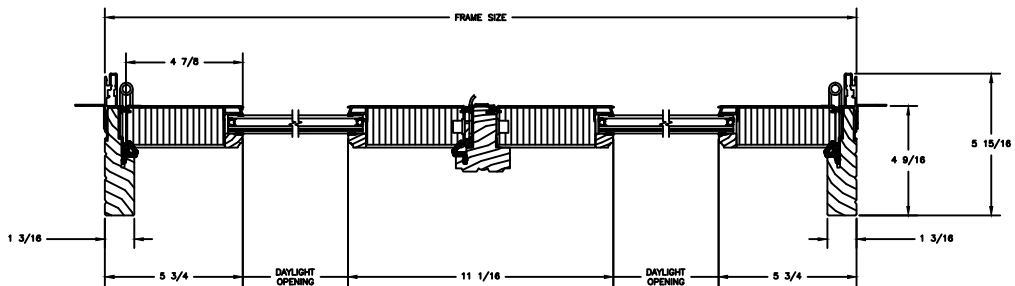
OPERATING HEAD JAMB & SILL



STATIONARY HEAD JAMB & SILL



2 PANEL JAMB



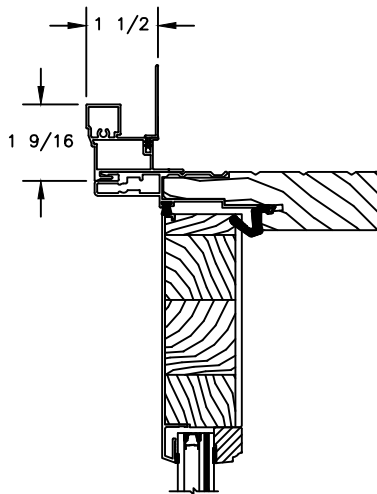
BI-HINGE JAMB

Pinnacle Impact Series

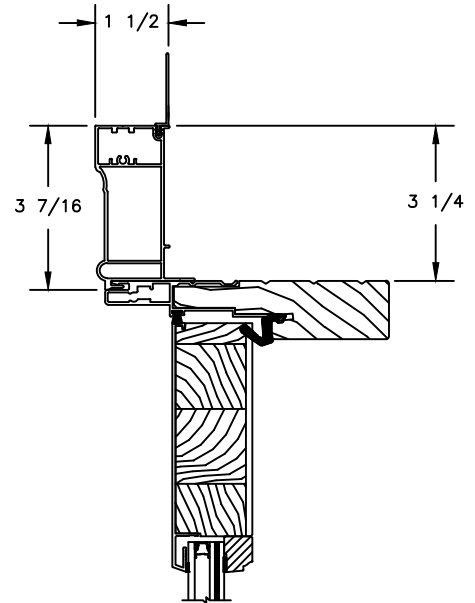
CLAD PATIO DOOR - OUTSWING

SECTION DETAILS : CASING OPTIONS

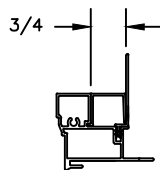
SCALE: 3" = 1'-0"



HEAD JAMB & SILL WITH
CLAD BRICKMOULD CASING



HEAD JAMB & SILL WITH
CLAD WILLIAMSBURG CASING



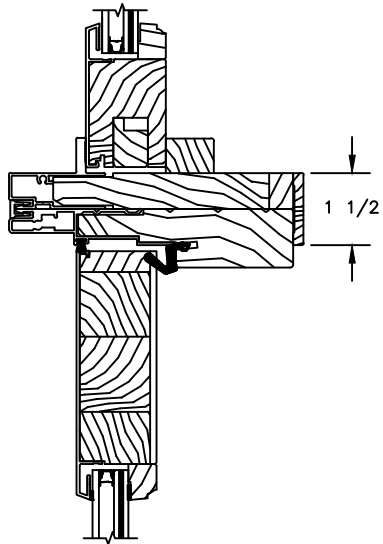
CLAD BRICKMOULD CASING
WITH OPTIONAL J-CHANNEL COVER

Pinnacle Impact Series

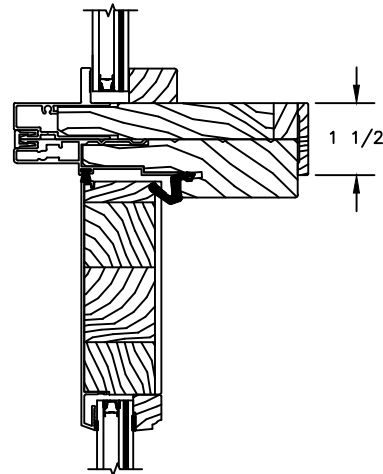
CLAD PATIO DOOR - OUTSWING

SECTION DETAILS : MULLIONS

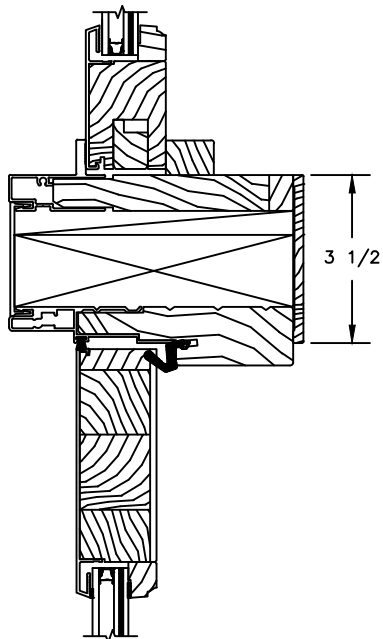
SCALE: 3" = 1'-0"



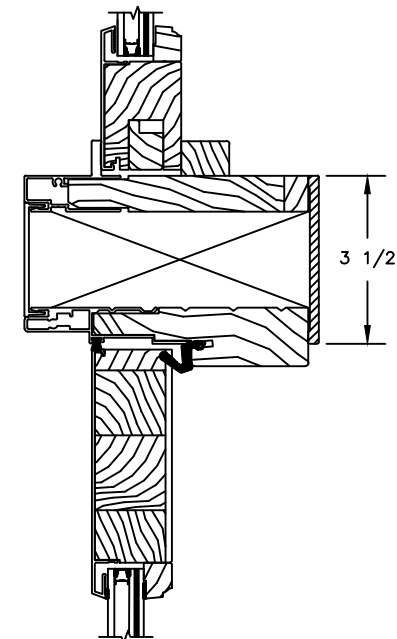
HORIZONTAL MULLION
TRANSOM/OPERATOR



HORIZONTAL MULLION
RADIUS/OPERATOR



2" STRUCTURAL MULLION BY OTHERS
(REQUIRED WHEN MULLING TRANSOM OR
RADIUS ABOVE A TWO PANEL DOOR)



HORIZONTAL MULLION WITH
2" SPREAD MULL
TRANSOM/OPERATOR
ADDITIONAL WIDTHS INCLUDE:
1", 2", 2 1/2", 3", & 4"

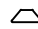


Pinnacle Impact Series

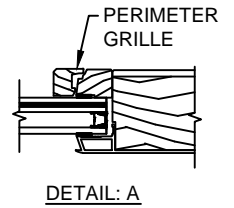
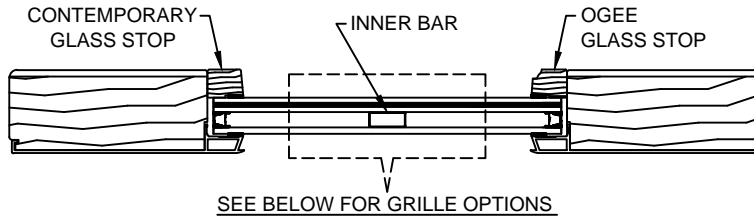
CLAD PATIO DOOR

SECTION DETAILS : DIVIDED LITE OPTIONS

SCALE: 3" = 1'-0"

AVAILABLE STYLES

-  - PUTTY
-  - OGEE
-  - CONTEMPORARY



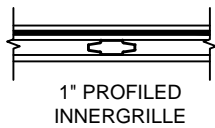
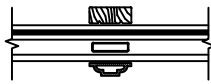
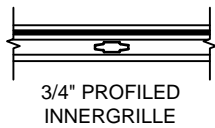
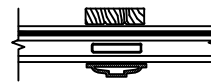
DETAIL: A

5/8" WDL WITH INNER BAR

7/8" WDL WITH INNERBAR

1 1/4" WDL WITH INNERBAR

2" WDL WITH INNERBAR



NOTE:

* ALL WDL OPTIONS CAN BE ORDERED WITH OR WITHOUT INNER BAR

* PERIMETER GRILLES ONLY AVAILABLE IN THE 7/8" AND 1 1/4" OGEE STYLE GLASS STOP (SEE DETAIL: A)