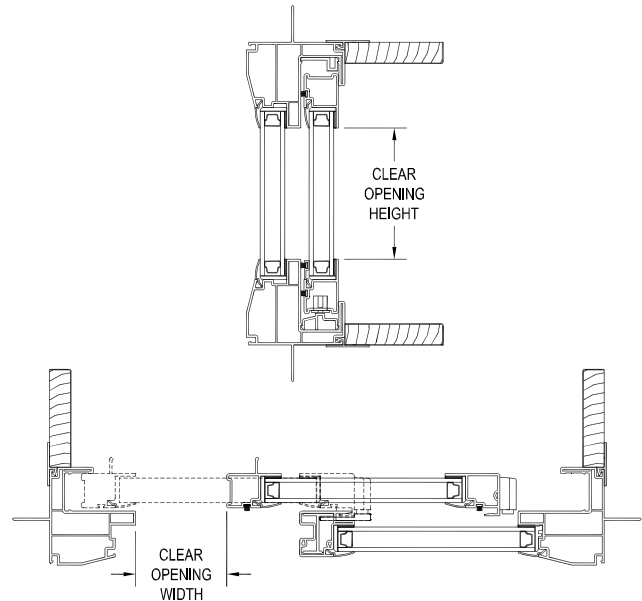


# Next Dimension Signature Series

## SLIDER

### EGRESS, LITE & SCREEN MEASUREMENTS

Egress, Lite and Vent Measurements									
Slider									
Size	Egress Width	Egress Height	Sq. Ft. Egress	Egress Code Compliance*			Sq. Ft. Daylite	Screen Size	
				U.S.		Canada		Width	Height
				5.0 ft <sup>2</sup>	5.7 ft <sup>2</sup>				
2424	6.625	18.250	0.84	-	-	-	2.09	9 3/16	19 3/8
2430	6.625	24.250	1.12	-	-	-	2.78	9 3/16	25 3/8
2436	6.625	30.250	1.39	-	-	-	3.47	9 3/16	31 3/8
2442	6.625	36.250	1.67	-	-	-	4.15	9 3/16	37 3/8
2448	6.625	42.250	1.94	-	-	-	4.84	9 3/16	43 3/8
3024	9.625	18.250	1.22	-	-	-	2.85	12 3/16	19 3/8
3030	9.625	24.250	1.62	-	-	-	3.79	12 3/16	25 3/8
3036	9.625	30.250	2.02	-	-	-	4.73	12 3/16	31 3/8
3042	9.625	36.250	2.42	-	-	-	5.66	12 3/16	37 3/8
3048	9.625	42.250	2.82	-	-	-	6.60	12 3/16	43 3/8
3624	12.625	18.250	1.60	-	-	-	3.61	15 3/16	19 3/8
3630	12.625	24.250	2.13	-	-	-	4.80	15 3/16	25 3/8
3636	12.625	30.250	2.65	-	-	-	5.99	15 3/16	31 3/8
3642	12.625	36.250	3.18	-	-	-	7.17	15 3/16	37 3/8
3648	12.625	42.250	3.70	-	-	-	8.36	15 3/16	43 3/8
3654	12.625	48.250	4.23	-	-	-	9.55	15 3/16	49 3/8
3660	12.625	54.250	4.76	-	-	-	10.74	15 3/16	55 3/8
3666	12.625	60.250	5.28	-	-	-	11.92	15 3/16	61 3/8
4224	15.625	18.250	1.98	-	-	-	4.37	18 3/16	19 3/8
4230	15.625	24.250	2.63	-	-	-	5.81	18 3/16	25 3/8
4236	15.625	30.250	3.28	-	-	-	7.25	18 3/16	31 3/8
4242	15.625	36.250	3.93	-	-	Y	8.68	18 3/16	37 3/8
4248	15.625	42.250	4.58	-	-	Y	10.12	18 3/16	43 3/8
4254	15.625	48.250	5.24	-	-	Y	11.56	18 3/16	49 3/8
4260	15.625	54.250	5.89	-	-	Y	13.00	18 3/16	55 3/8
4266	15.625	60.250	6.54	-	-	Y	14.43	18 3/16	61 3/8
4824	18.625	18.250	2.36	-	-	-	5.13	21 3/16	19 3/8
4830	18.625	24.250	3.14	-	-	-	6.82	21 3/16	25 3/8
4836	18.625	30.250	3.91	-	-	Y	8.51	21 3/16	31 3/8
4842	18.625	36.250	4.69	-	-	Y	10.20	21 3/16	37 3/8
4848	18.625	42.250	5.46	-	-	Y	11.88	21 3/16	43 3/8
4848e*	20.375	44.000	6.23	Y	Y	Y	12.63	22 1/16	45 1/8
4854	18.625	48.250	6.24	-	-	Y	13.57	21 3/16	49 3/8
4860	18.625	54.250	7.02	-	-	Y	15.26	21 3/16	55 3/8
4866	18.625	60.250	7.79	-	-	Y	16.95	21 3/16	61 3/8
5424	21.625	18.250	2.74	-	-	-	5.89	24 3/16	19 3/8
5430	21.625	24.250	3.64	-	-	-	7.83	24 3/16	25 3/8
5436	21.625	30.250	4.54	-	-	Y	9.77	24 3/16	31 3/8
5442	21.625	36.250	5.44	Y	-	Y	11.71	24 3/16	37 3/8
5448	21.625	42.250	6.34	Y	Y	Y	13.64	24 3/16	43 3/8
5454	21.625	48.250	7.25	Y	Y	Y	15.58	24 3/16	49 3/8
5460	21.625	54.250	8.15	Y	Y	Y	17.52	24 3/16	55 3/8
5466	21.625	60.250	9.05	Y	Y	Y	19.46	24 3/16	61 3/8
6024	24.625	18.250	3.12	-	-	-	6.65	27 3/16	19 3/8
6030	24.625	24.250	4.15	-	-	Y	8.84	27 3/16	25 3/8
6036	24.625	30.250	5.17	Y	-	Y	11.03	27 3/16	31 3/8
6042	24.625	36.250	6.20	Y	Y	Y	13.22	27 3/16	37 3/8
6048	24.625	42.250	7.23	Y	Y	Y	15.40	27 3/16	43 3/8
6054	24.625	48.250	8.25	Y	Y	Y	17.59	27 3/16	49 3/8
6060	24.625	54.250	9.28	Y	Y	Y	19.78	27 3/16	55 3/8
6066	24.625	60.250	10.30	Y	Y	Y	21.97	27 3/16	61 3/8



Egress Conversions	
Width	R.O. / 2 - 5.373"
Height	R.O. - 5.75"

Egress Conversions - Egress Frame	
Width	R.O. / 2 - 3.321"
Height	R.O. - 4"

**\* Egress Code Compliance Terminology**

- Y Meets Code
- Does Not Meet Code

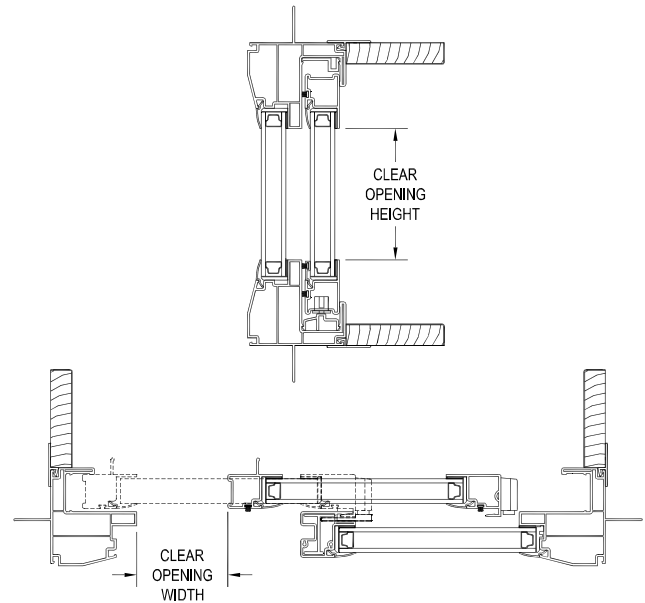
Code Requirements	Min Width	Min Height	Min Area (sq.ft.)
U.S.	20"	24"	5.7
U.S. Grade Floor	20"	24"	5.0
Canada	15"	15"	3.77

# Next Dimension Signature Series

## SLIDER

### EGRESS, LITE & SCREEN MEASUREMENTS

Egress, Lite and Vent Measurements									
Slider									
Size	Egress Width	Egress Height	Sq. Ft. Egress	Egress Code Compliance*			Sq. Ft. Daylite	Screen Size	
				U.S.		Canada		Width	Height
				5.0 ft <sup>2</sup>	5.7 ft <sup>2</sup>				
6624	27.625	18.250	3.50	-	-	-	7.41	30 3/16	19 3/8
6630	27.625	24.250	4.65	-	-	Y	9.85	30 3/16	25 3/8
6636	27.625	30.250	5.80	Y	Y	Y	12.29	30 3/16	31 3/8
6642	27.625	36.250	6.95	Y	Y	Y	14.73	30 3/16	37 3/8
6648	27.625	42.250	8.11	Y	Y	Y	17.16	30 3/16	43 3/8
6654	27.625	48.250	9.26	Y	Y	Y	19.60	30 3/16	49 3/8
6660	27.625	54.250	10.41	Y	Y	Y	22.04	30 3/16	55 3/8
6666	27.625	60.250	11.56	Y	Y	Y	24.48	30 3/16	61 3/8
7224	30.625	18.250	3.88	-	-	Y	8.17	33 3/16	19 3/8
7230	30.625	24.250	5.16	Y	-	Y	10.86	33 3/16	25 3/8
7236	30.625	30.250	6.43	Y	Y	Y	13.55	33 3/16	31 3/8
7242	30.625	36.250	7.71	Y	Y	Y	16.24	33 3/16	37 3/8
7248	30.625	42.250	8.99	Y	Y	Y	18.92	33 3/16	43 3/8
7254	30.625	48.250	10.26	Y	Y	Y	21.61	33 3/16	49 3/8
7260	30.625	54.250	11.54	Y	Y	Y	24.30	33 3/16	55 3/8
7266	30.625	60.250	12.81	Y	Y	Y	26.99	33 3/16	61 3/8
End Vent Slider									
18-36-1824	12.625	18.250	1.60	-	-	-	6.15	15 3/16	19 3/8
18-36-1830	12.625	24.250	2.13	-	-	-	8.17	15 3/16	25 3/8
18-36-1836	12.625	30.250	2.65	-	-	-	10.18	15 3/16	31 3/8
18-36-1842	12.625	36.250	3.18	-	-	-	12.21	15 3/16	37 3/8
18-36-1848	12.625	42.250	3.70	-	-	-	14.23	15 3/16	43 3/8
18-36-1854	12.625	48.250	4.23	-	-	-	16.25	15 3/16	49 3/8
18-36-1860	12.625	54.250	4.76	-	-	-	18.27	15 3/16	55 3/8
21-42-2124	15.625	18.250	1.98	-	-	-	7.29	18 3/16	19 3/8
21-42-2130	15.625	24.250	2.63	-	-	-	9.68	18 3/16	25 3/8
21-42-2136	15.625	30.250	3.28	-	-	-	12.08	18 3/16	31 3/8
21-42-2142	15.625	36.250	3.93	-	-	Y	14.47	18 3/16	37 3/8
21-42-2148	15.625	42.250	4.58	-	-	Y	16.87	18 3/16	43 3/8
21-42-2154	15.625	48.250	5.24	-	-	Y	19.27	18 3/16	49 3/8
21-42-2160	15.625	54.250	5.89	-	-	Y	21.66	18 3/16	55 3/8
24-48-2424	20.250	18.250	2.57	-	-	-	8.43	21 3/16	19 3/8
24-48-2430	20.250	24.250	3.41	-	-	-	11.20	21 3/16	25 3/8
24-48-2436	20.250	30.250	4.25	-	-	Y	13.97	21 3/16	31 3/8
24-48-2442	20.250	36.250	5.10	Y	-	Y	16.74	21 3/16	37 3/8
24-48-2448	20.250	42.250	5.94	Y	Y	Y	19.51	21 3/16	43 3/8
24-48-2454	20.250	48.250	6.79	Y	Y	Y	22.29	21 3/16	49 3/8
24-48-2460	20.250	54.250	7.63	Y	Y	Y	25.05	21 3/16	55 3/8



Egress Conversions	
Width	R.O. / 2 - 5.373"
Height	R.O. - 5.75"

Egress Conversions - Egress Frame	
Width	R.O. / 2 - 3.321"
Height	R.O. - 4"

#### \* Egress Code Compliance Terminology

- Y Meets Code
- Does Not Meet Code

Code Requirements	Min Width	Min Height	Min Area (sq.ft.)
U.S.	20"	24"	5.7
U.S. Grade Floor	20"	24"	5.0
Canada	15"	15"	3.77