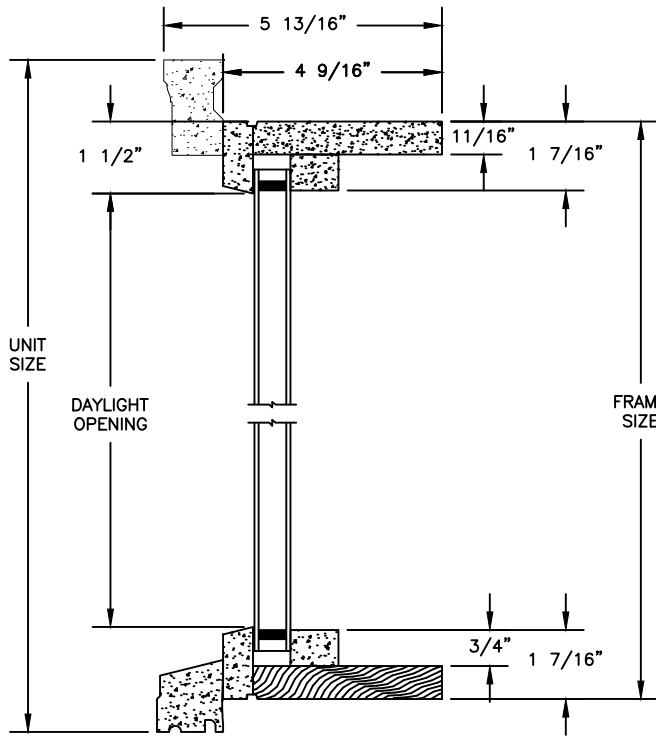


Legend Series

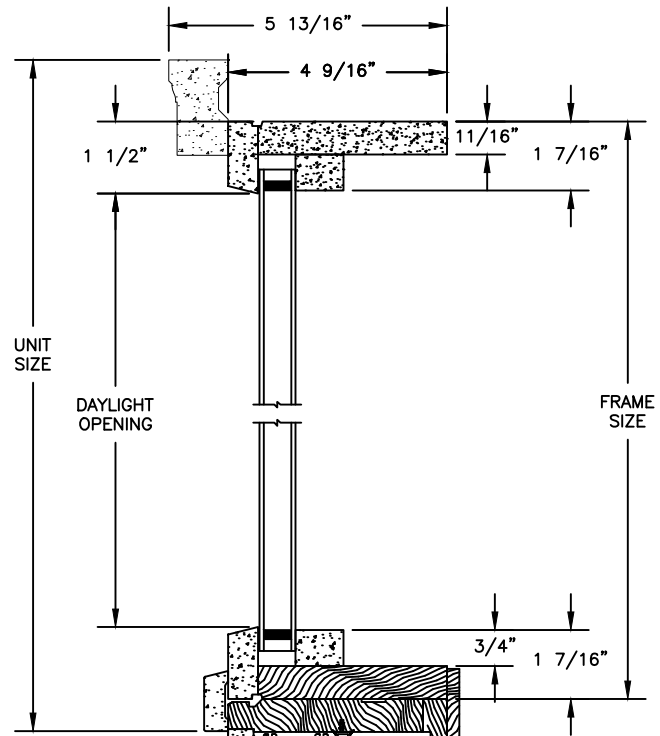
LEGEND RADIUS

SECTION DETAILS : DIRECT GLAZE

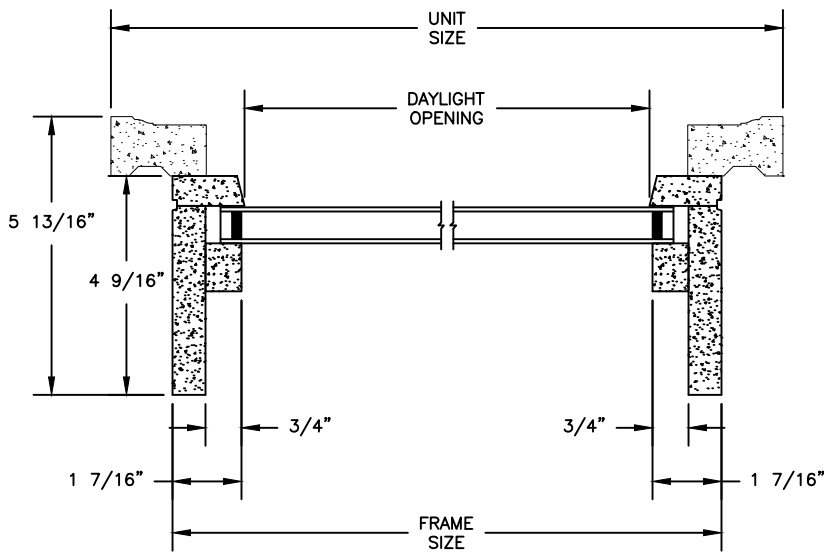
SCALE: 3" = 1'-0"



HEAD JAMB & SILL

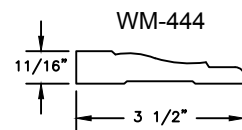
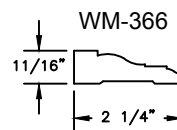
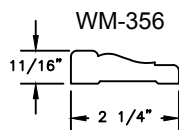
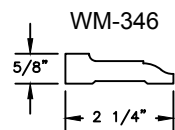
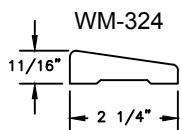


TRANSOM
HEAD JAMB & SILL



HALF ROUNDS, FULL ROUNDS & OVALS
JAMB

AVAILABLE INTERIOR TRIM PROFILES

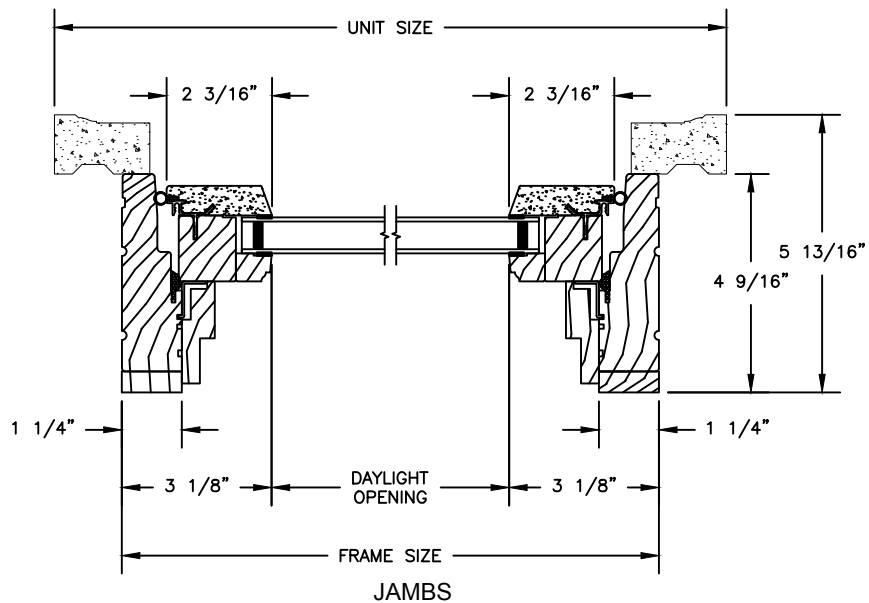
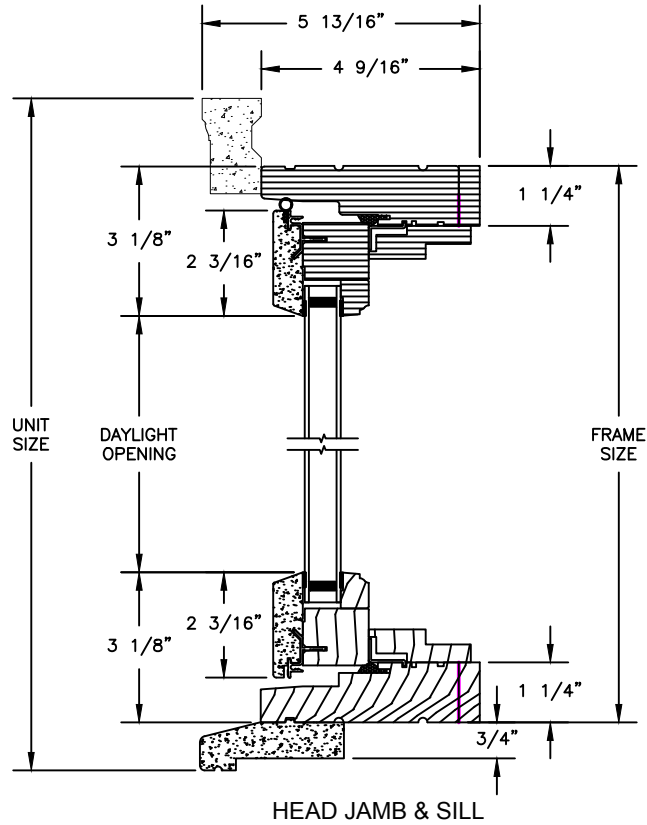


Legend Series

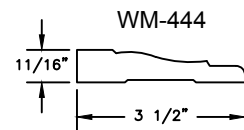
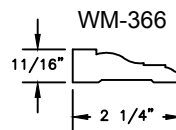
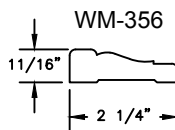
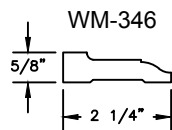
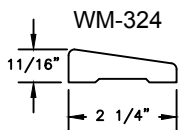
LEGEND RADIUS

SECTION DETAILS : IN-SASH FLAT SILL

SCALE: 3" = 1'-0"



AVAILABLE INTERIOR TRIM PROFILES

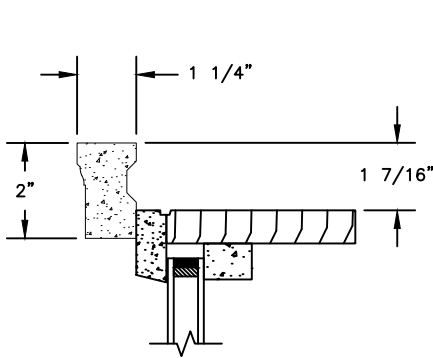


Legend Series

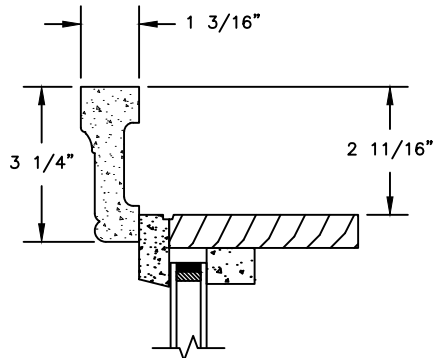
LEGEND RADIUS

SECTION DETAILS : CASING OPTIONS

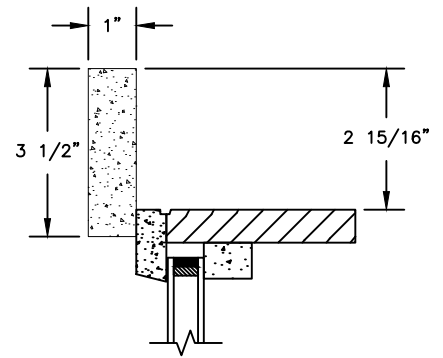
SCALE: 3" = 1'-0"



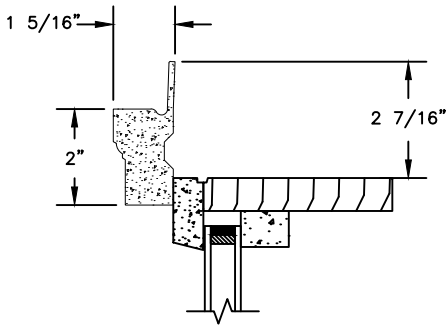
HEAD JAMB WITH
WM180 BRICKMOULD



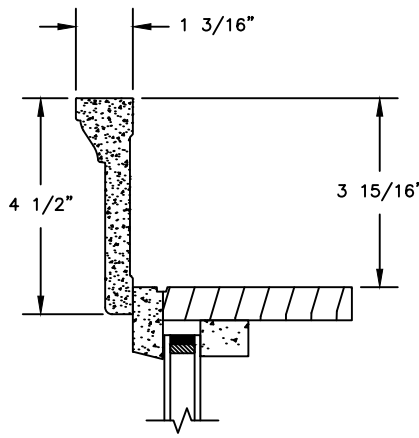
HEAD JAMB WITH
WILLIAMSBURG BRICKMOULD



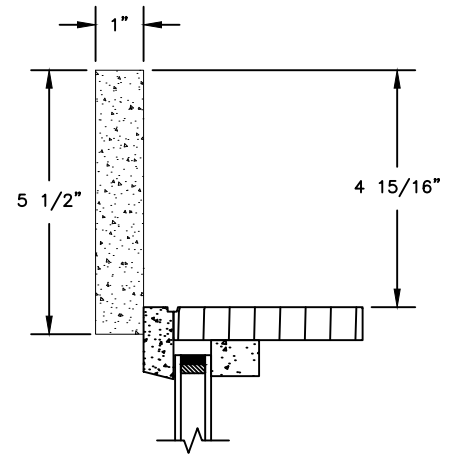
HEAD JAMB WITH
3 1/2" FLAT CASING



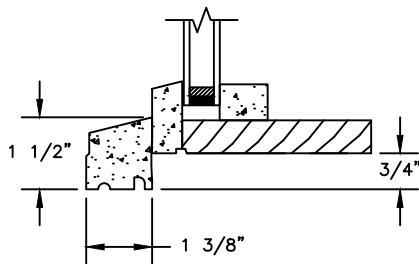
HEAD JAMB WITH
180 FLANGED BRICKMOULD



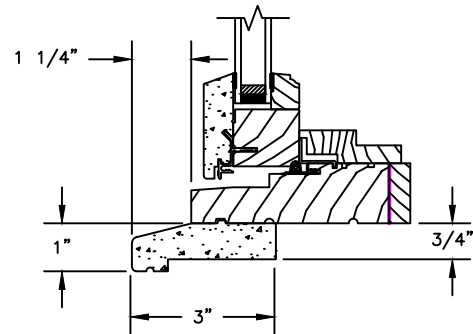
HEAD JAMB WITH
4 1/2" BACKBAND



HEAD JAMB WITH
5 1/2" FLAT CASING



DIRECT GLAZE SILL WITH
STANDARD SILLNOSE

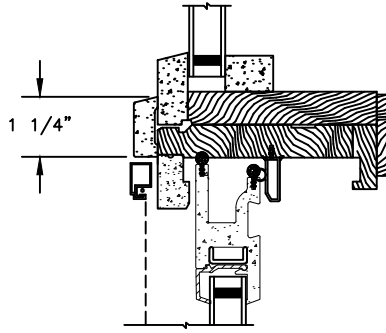


INSASH SILL WITH
STANDARD SUBSILL

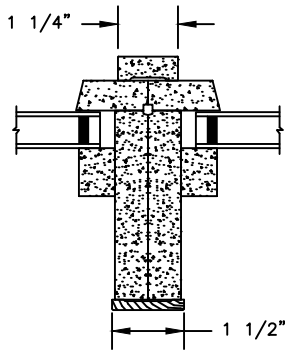
Legend Series

LEGEND RADIUS

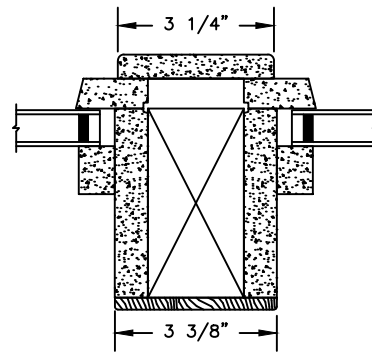
SECTION DETAILS : MULLIONS
SCALE: 3" = 1'-0"



HORIZONTAL MULLION



VERTICAL MULLION



VERTICAL MULLION WITH
2" SPREAD MULL
ADDITIONAL WIDTHS INCLUDE:
1" - 5"




Legend Series

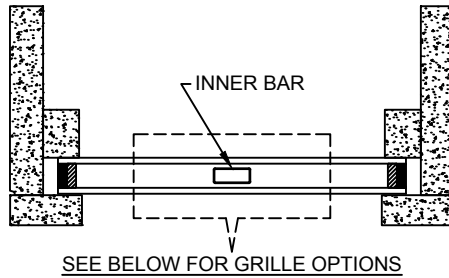
LEGEND RADIUS - DIRECT GLAZE


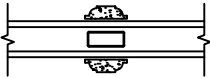
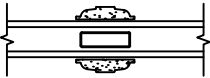


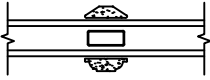

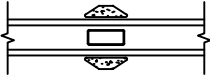

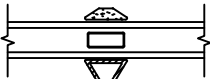
SECTION DETAILS : DIVIDED LITE OPTIONS

SCALE: 3" = 1'-0"

AVAILABLE STYLES

-  - PUTTY
-  - TALL PUTTY
-  - OGEE



	5/8" WDL WITH <u>INNER BAR</u>	7/8" WDL WITH <u>INNERBAR</u>	1 1/4" WDL WITH <u>INNERBAR</u>	2" WDL WITH <u>INNERBAR</u>
STANDARD INSULATING GLASS				
13/16" INNERGRILLE				
3/4" PROFILED INNERGRILLE				
1" PROFILED INNERGRILLE				
7/8" STICK GRILLE				
1 1/4" STICK GRILLE				

NOTE:
* ALL WDL OPTIONS CAN BE ORDERED WITH OR WITHOUT INNER BAR

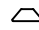


Legend Series

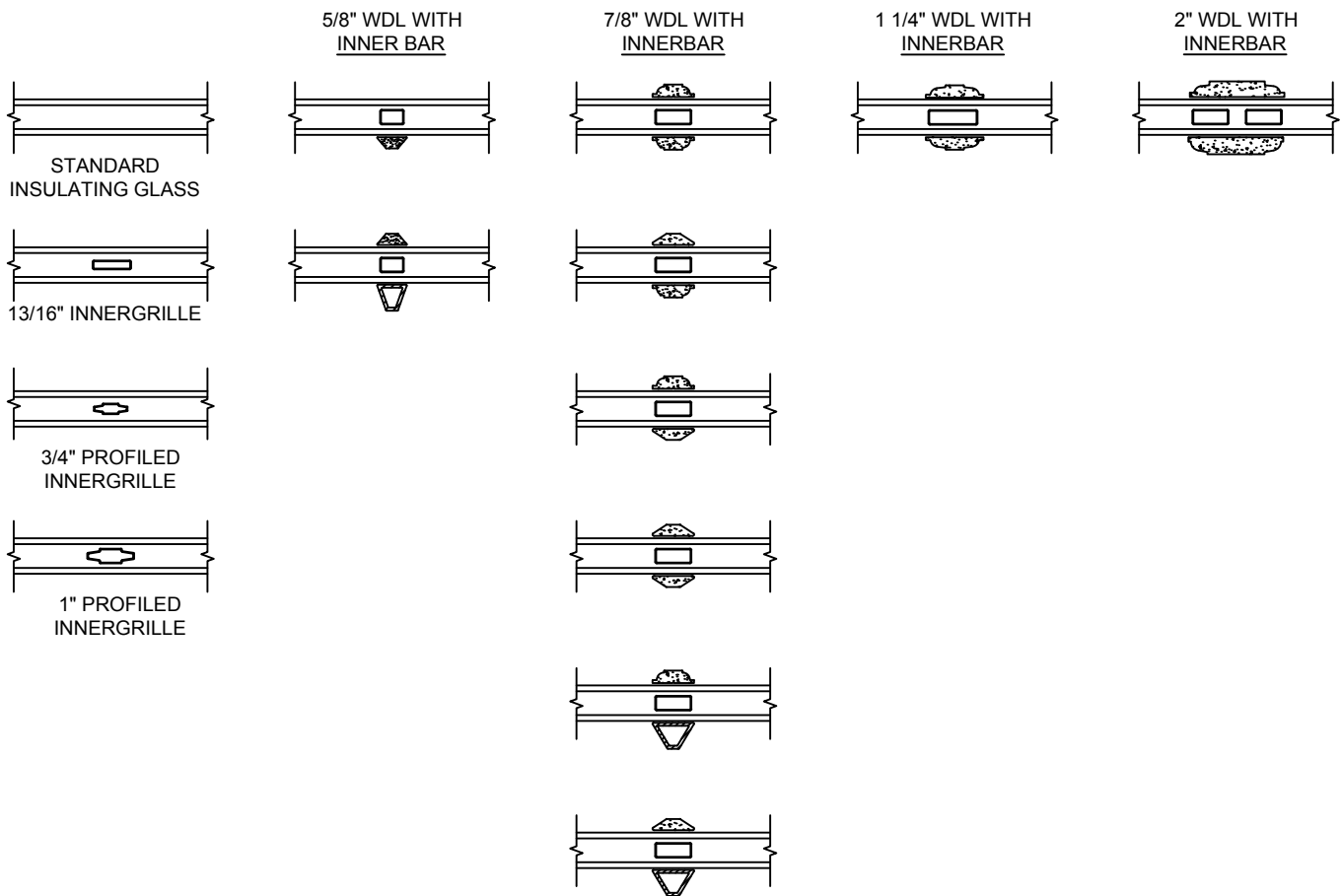
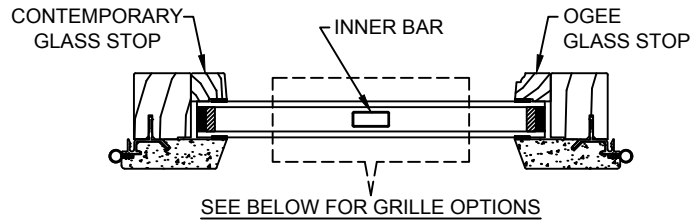
LEGEND RADIUS - IN-SASH

SECTION DETAILS : DIVIDED LITE OPTIONS

SCALE: 3" = 1'-0"

AVAILABLE STYLES

-  - PUTTY
-  - TALL PUTTY
-  - OGEE

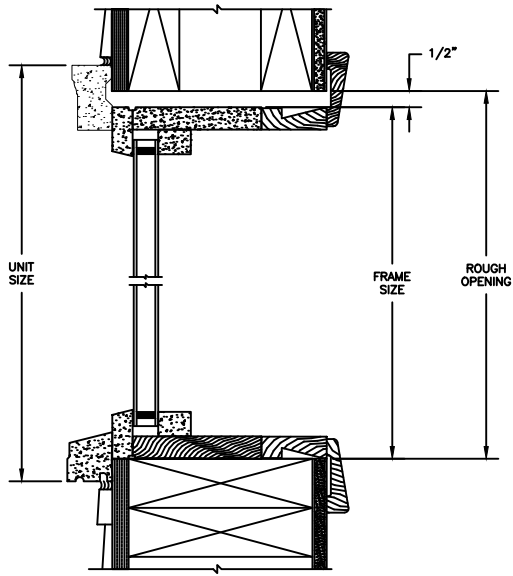


NOTE:
 * ALL WDL OPTIONS CAN BE ORDERED WITH OR WITHOUT INNER BAR
 4/19/17

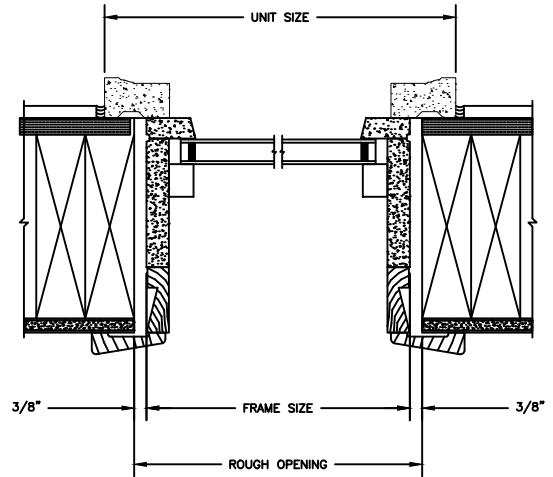
Legend Series

LEGEND RADIUS

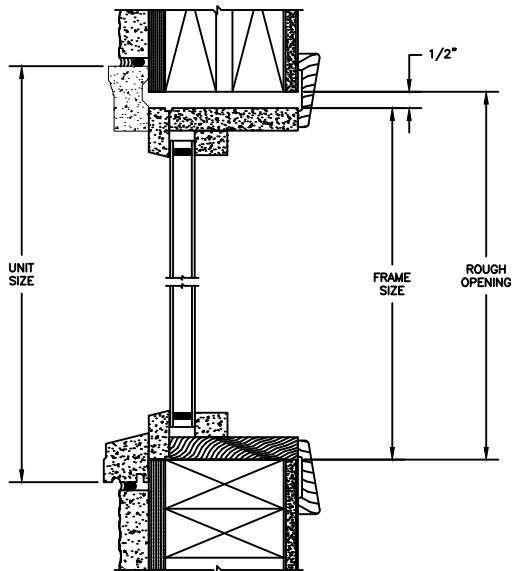
SECTION DETAILS : CONSTRUCTION
SCALE: NTS



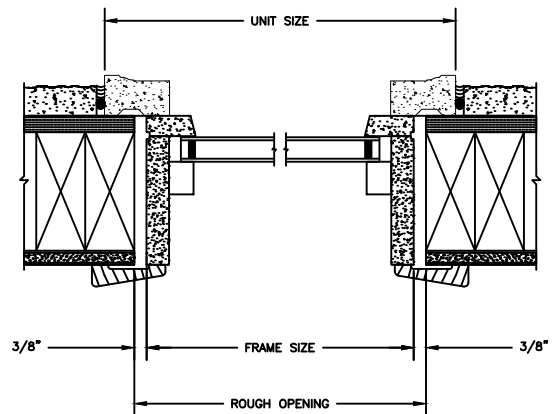
HEAD JAMB & SILL
2 X 6 FRAME WITH SIDING



JAMBS
2 X 6 FRAME WITH SIDING



HEAD JAMB & SILL
2 X 4 FRAME WITH STUCCO



JAMBS
2 X 4 FRAME WITH STUCCO

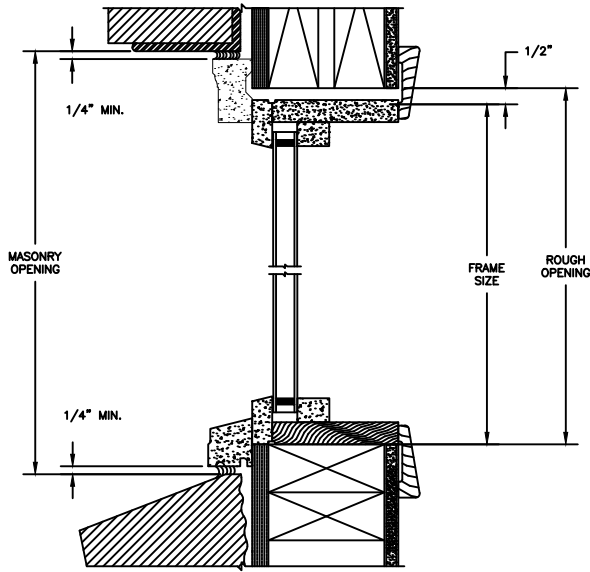
NOTE :
THE ABOVE WALL SECTIONS REPRESENT TYPICAL WALL CONDITIONS, THESE DETAILS ARE NOT INTENDED AS INSTALLATIONS INSTRUCTIONS. PLEASE REFER TO THE INSTALLATION INSTRUCTIONS PROVIDED WITH THE PURCHASED UNITS.

Legend Series

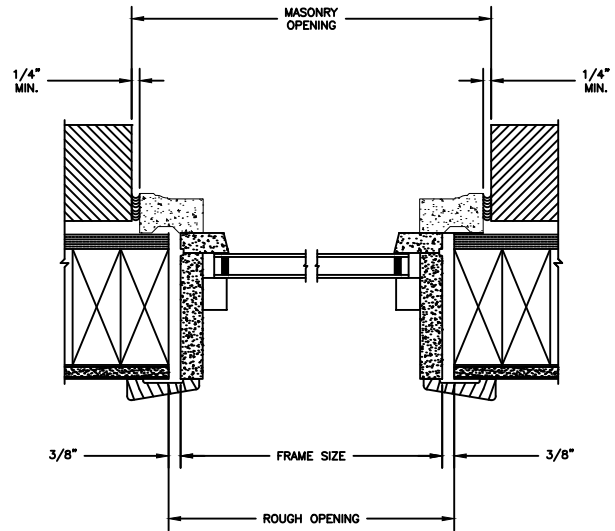
LEGEND RADIUS

SECTION DETAILS : CONSTRUCTION

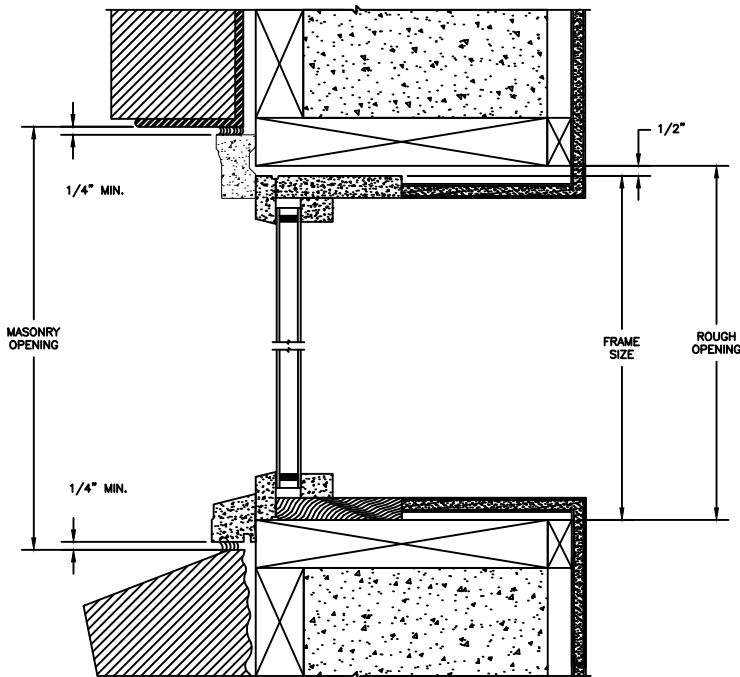
SCALE: 2" = 1'-0"



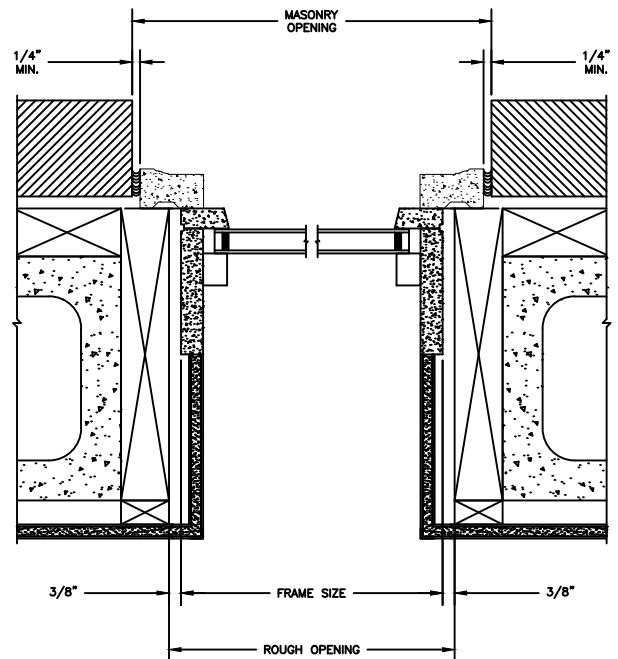
HEAD JAMB & SILL
2 X 4 FRAME WITH BRICK VENEER



JAMBS
2 X 4 FRAME WITH BRICK VENEER



HEAD JAMB & SILL
8" CONCRETE BLOCK WALL
WITH BRICK VENEER



JAMBS
8" CONCRETE BLOCK WALL
WITH BRICK VENEER

NOTE :
THE ABOVE WALL SECTIONS REPRESENT TYPICAL WALL CONDITIONS, THESE DETAILS ARE NOT INTENDED AS INSTALLATIONS INSTRUCTIONS. PLEASE REFER TO THE INSTALLATION INSTRUCTIONS PROVIDED WITH THE PURCHASED UNITS.