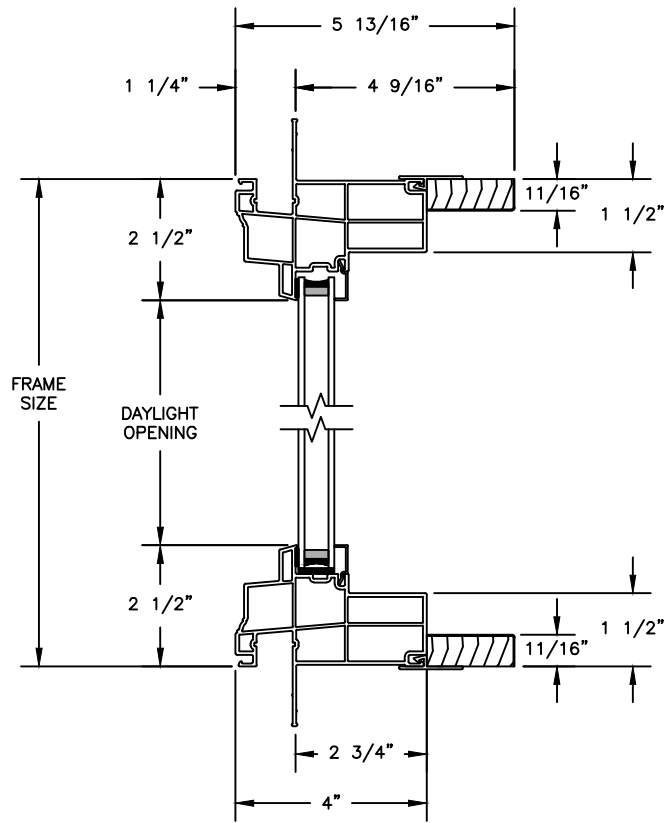


# Next Dimension Classic Series

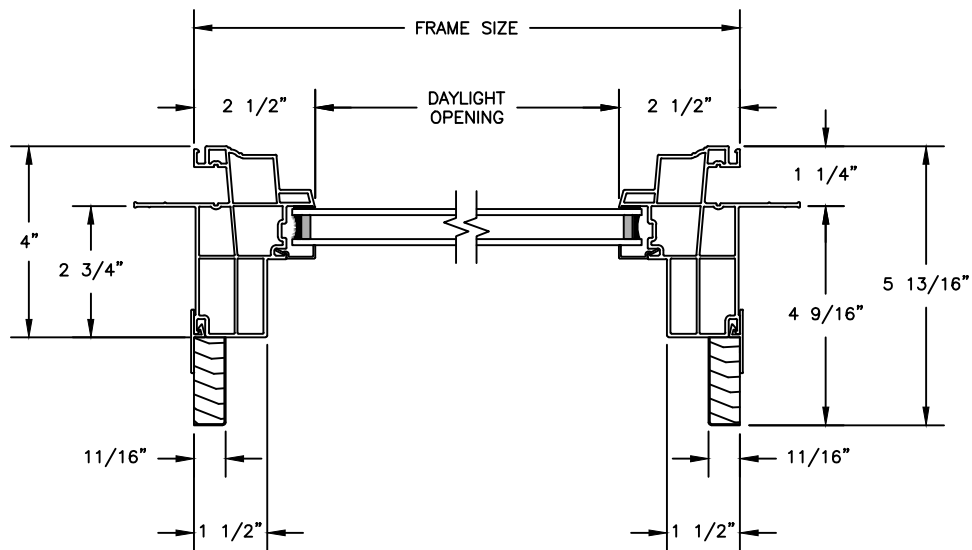
## DIRECT SET - DOUBLE HUNG

SECTION DETAILS

SCALE: 3" = 1'-0"



HEAD JAMB & SILL



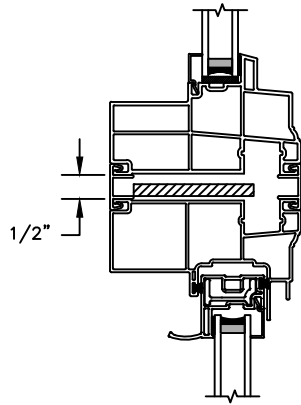
JAMBS

# Next Dimension Classic Series

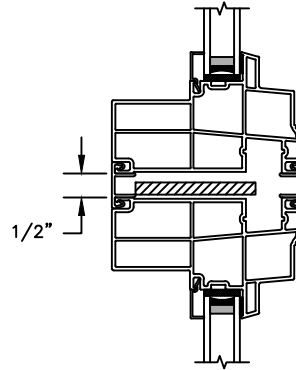
## DIRECT SET - DOUBLE HUNG

SECTION DETAILS: MULLIONS

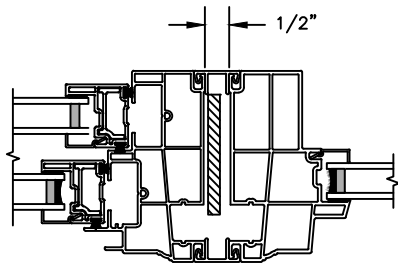
SCALE: 3" = 1'-0"



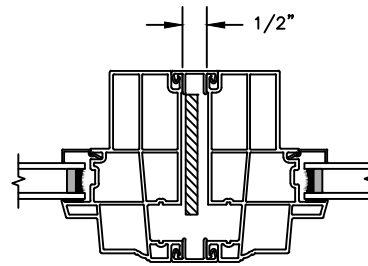
HORIZONTAL 1/2" MULLION  
FIXED/OPERATOR



HORIZONTAL 1/2" MULLION  
FIXED/FIXED



VERTICAL 1/2" MULLION  
OPERATOR/FIXED



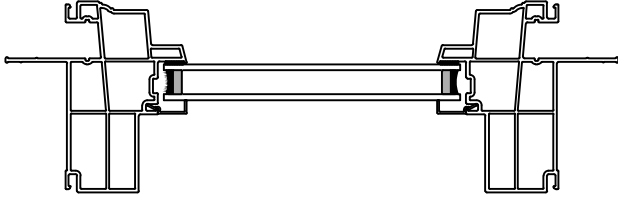
VERTICAL 1/2" MULLION  
FIXED/FIXED

# Next Dimension Classic Series

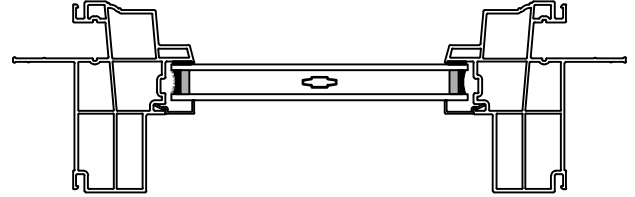
## DIRECT SET - DOUBLE HUNG

SECTION DETAILS : DIVIDED LITE OPTIONS

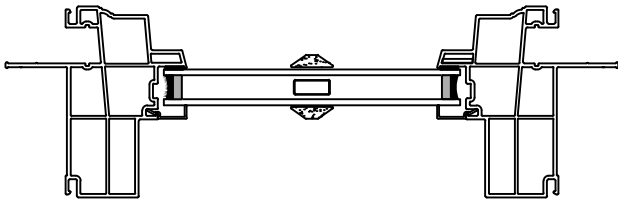
SCALE: 3" = 1'-0"



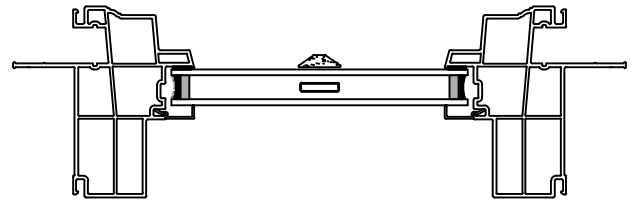
INSULATING GLASS



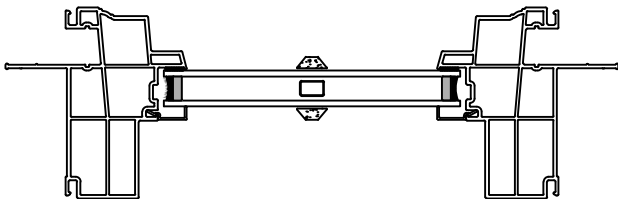
3/4" PROFILED INNERGRILLE



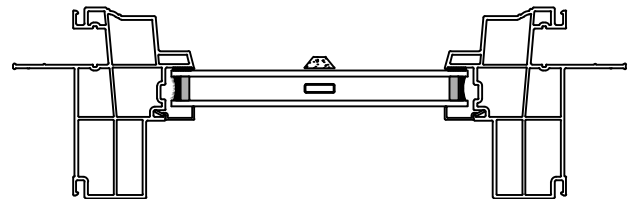
7/8" PUTTY WDL  
WITH INNERBAR



7/8" PUTTY WDL (EXTERIOR ONLY)  
WITH 13/16" FLAT INNERGRILLE



5/8" PUTTY WDL  
WITH INNERBAR



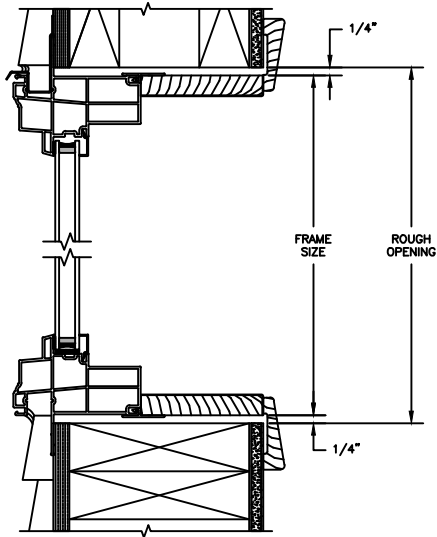
5/8" PUTTY WDL (EXTERIOR ONLY)  
WITH 5/8" FLAT INNERGRILLE

# Next Dimension Classic Series

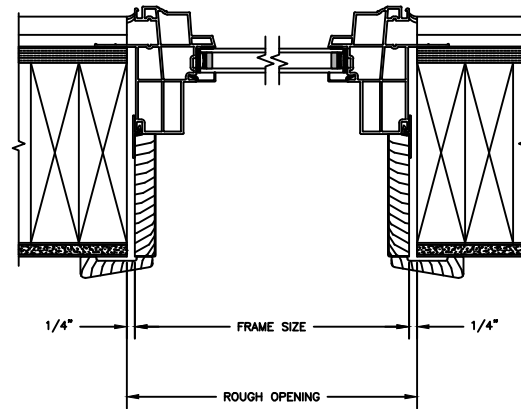
## DIRECT SET - DOUBLE HUNG

SECTION DETAILS : CONSTRUCTION

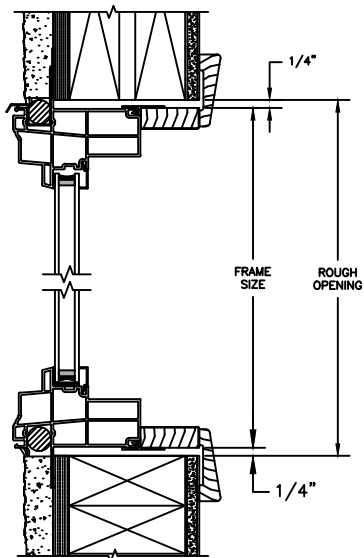
SCALE: 2" = 1'-0"



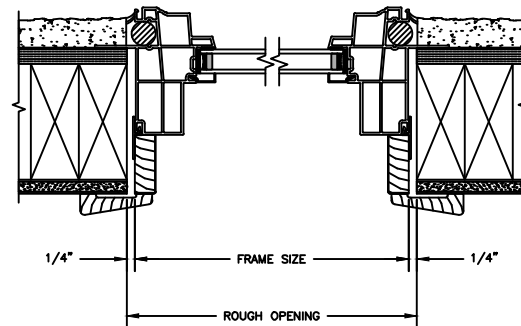
HEAD JAMB & SILL  
2 X 6 FRAME WITH SIDING



JAMBS  
2 X 6 FRAME WITH SIDING



HEAD JAMB & SILL  
2 X 4 FRAME WITH STUCCO



JAMBS  
2 X 4 FRAME WITH STUCCO

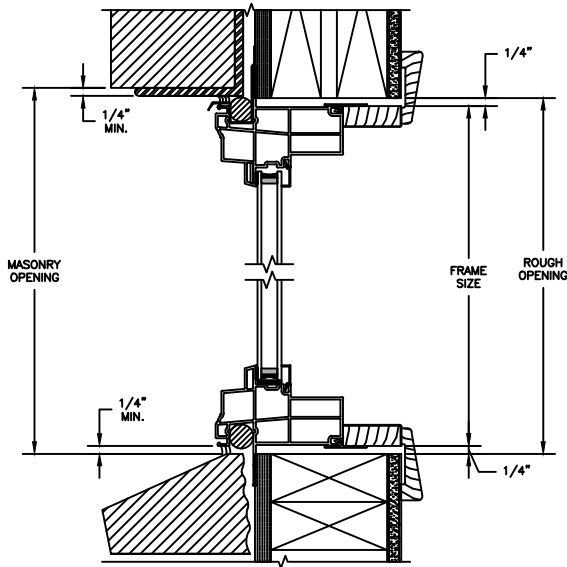
NOTE :  
THE ABOVE WALL SECTIONS REPRESENT TYPICAL WALL CONDITIONS, THESE DETAILS ARE NOT INTENDED AS INSTALLATIONS INSTRUCTIONS. PLEASE REFER TO THE INSTALLATION INSTRUCTIONS PROVIDED WITH THE PURCHASED UNITS.

# Next Dimension Classic Series

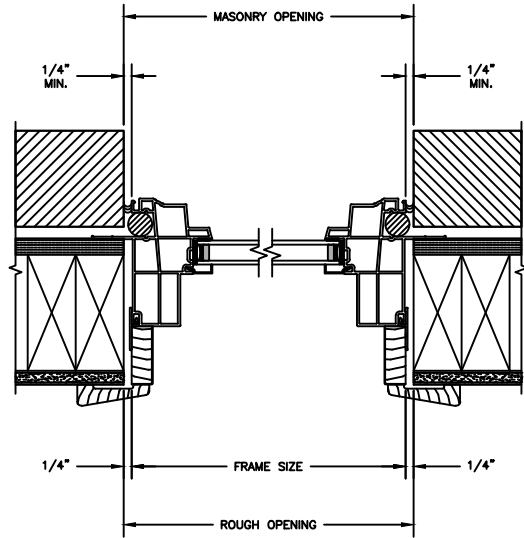
## DIRECT SET - DOUBLE HUNG

SECTION DETAILS : CONSTRUCTION

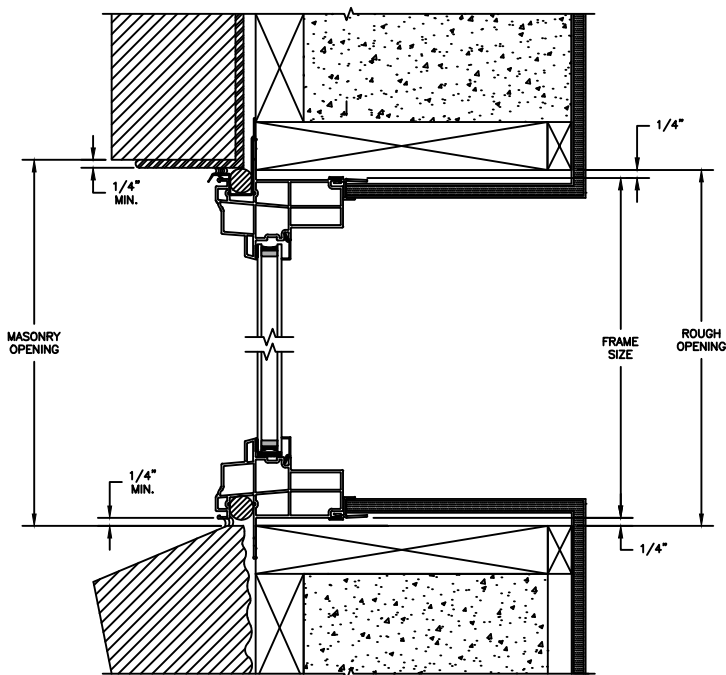
SCALE: 2" = 1'-0"



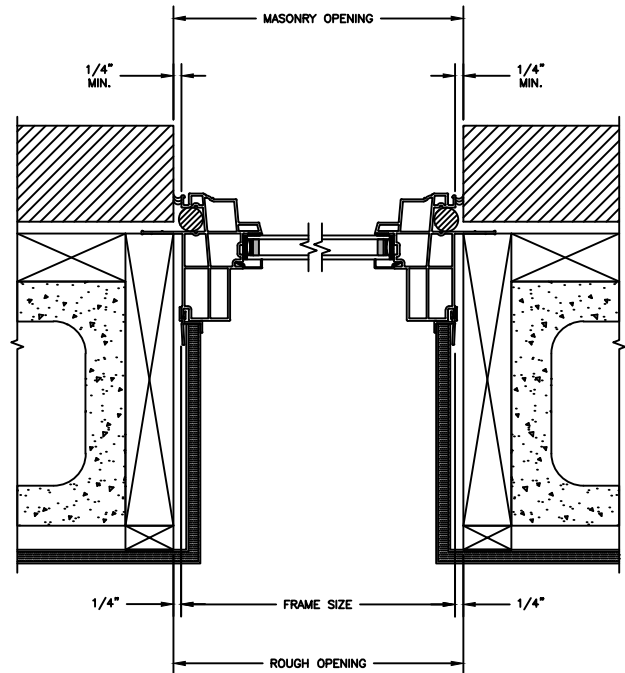
HEAD JAMB & SILL  
2 X 4 FRAME WITH BRICK VENEER



JAMBS  
2 X 4 FRAME WITH BRICK VENEER



HEAD JAMB & SILL  
8" CONCRETE BLOCK WALL  
WITH BRICK VENEER



JAMBS  
8" CONCRETE BLOCK WALL  
WITH BRICK VENEER

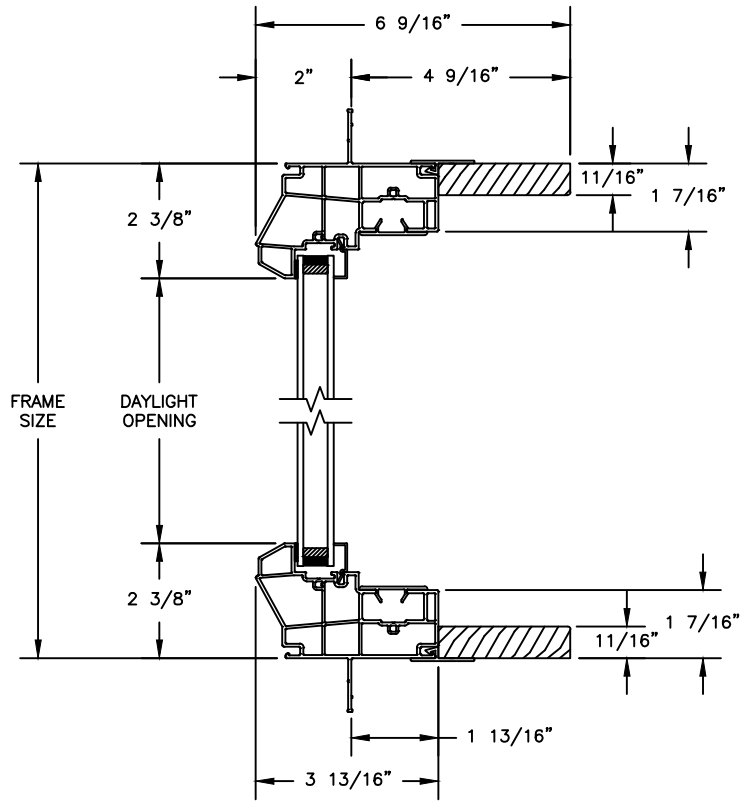
NOTE:  
THE ABOVE WALL SECTIONS REPRESENT TYPICAL WALL CONDITIONS, THESE DETAILS ARE NOT INTENDED AS INSTALLATIONS INSTRUCTIONS. PLEASE REFER TO THE INSTALLATION INSTRUCTIONS PROVIDED WITH THE PURCHASED UNITS.

# Next Dimension Classic Series

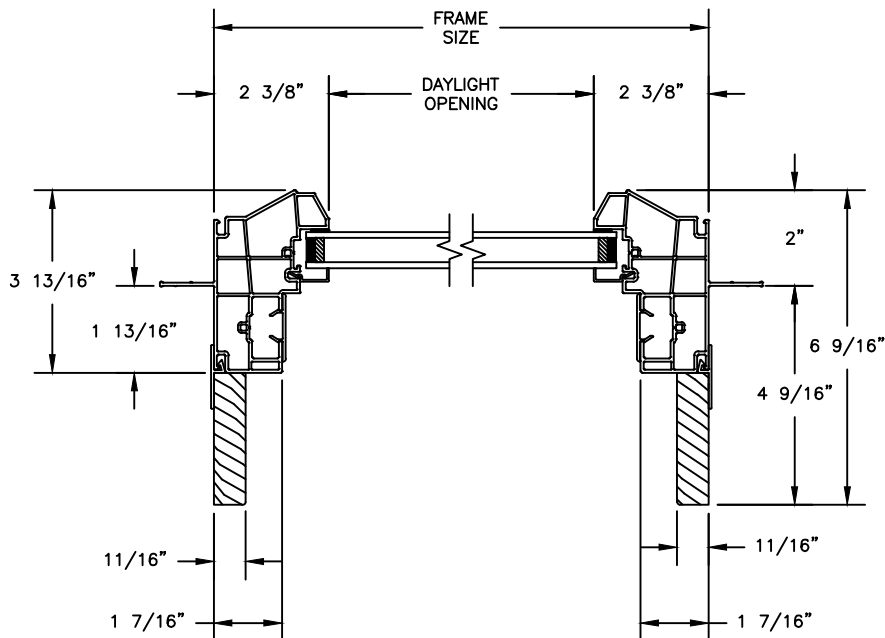
## DIRECT SET - DOUBLE HUNG

SECTION DETAILS: STANDARD FRAME

SCALE: 3" = 1'-0"



HEAD JAMB & SILL



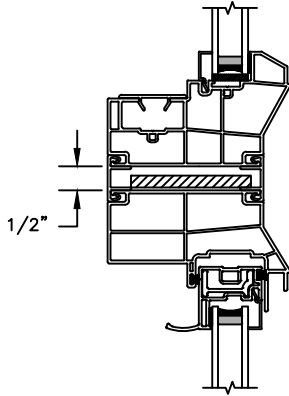
JAMBS

# Next Dimension Classic Series

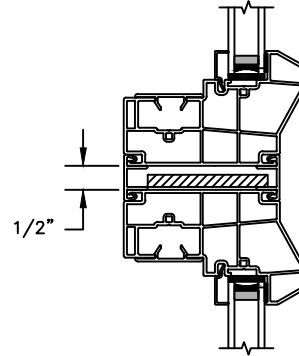
## DIRECT SET - DOUBLE HUNG

SECTION DETAILS: STANDARD FRAME MULLIONS

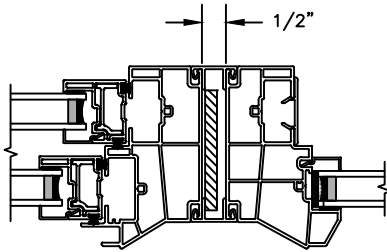
SCALE: 3" = 1'-0"



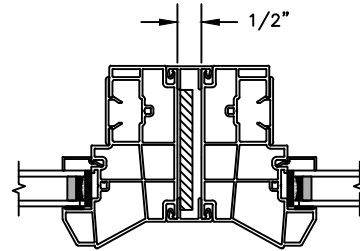
HORIZONTAL 1/2" MULLION  
FIXED/OPERATOR



HORIZONTAL 1/2" MULLION  
FIXED/FIXED



VERTICAL 1/2" MULLION  
OPERATOR/FIXED



VERTICAL 1/2" MULLION  
FIXED/FIXED

# Next Dimension Classic Series

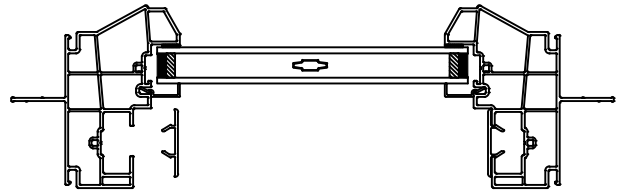
## DIRECT SET - DOUBLE HUNG

SECTION DETAILS: STANDARD FRAME DIVIDED LITE OPTIONS

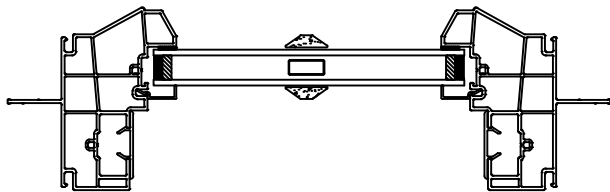
SCALE: 3" = 1'-0"



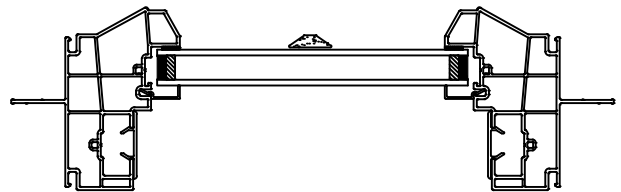
INSULATING GLASS



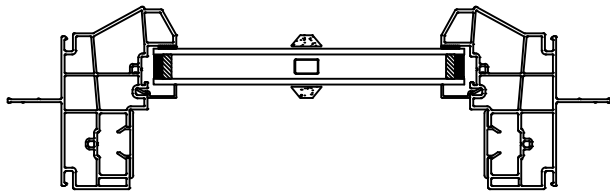
3/4" PROFILED INNERGRILLE



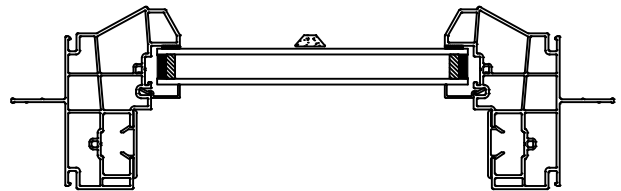
7/8" PUTTY WDL  
WITH INNERBAR



7/8" PUTTY WDL (EXTERIOR ONLY)  
WITH 13/16" FLAT INNERGRILLE



5/8" PUTTY WDL  
WITH INNERBAR



5/8" PUTTY WDL (EXTERIOR ONLY)  
WITH 5/8" FLAT INNERGRILLE

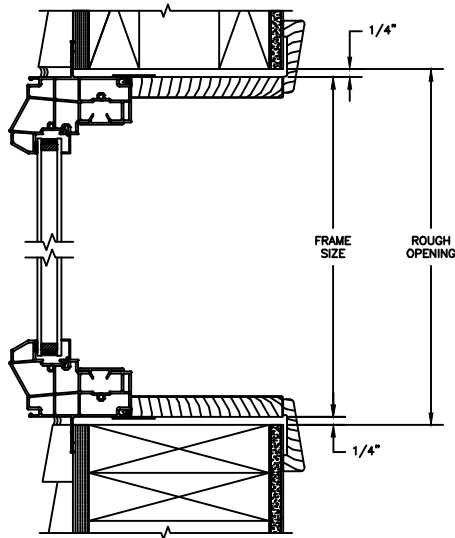


# Next Dimension Classic Series

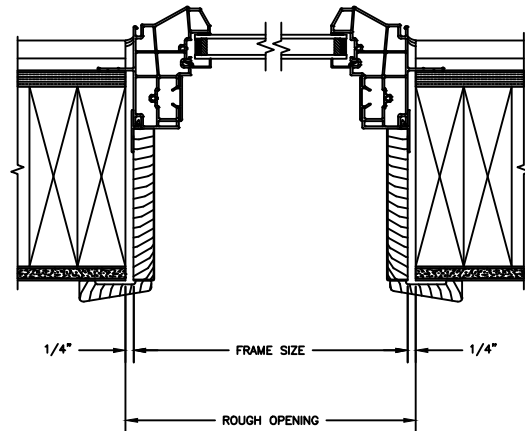
## DIRECT SET - DOUBLE HUNG

SECTION DETAILS: STANDARD FRAME CONSTRUCTION

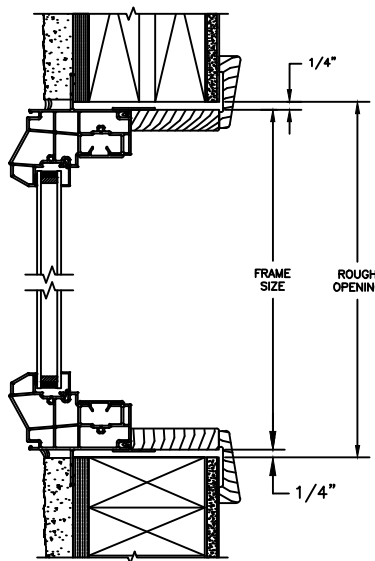
SCALE: 2" = 1'-0"



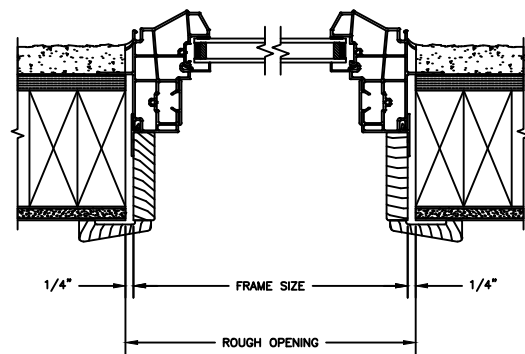
HEAD JAMB & SILL  
2 X 6 FRAME WITH SIDING



JAMBS  
2 X 6 FRAME WITH SIDING



HEAD JAMB & SILL  
2 X 4 FRAME WITH STUCCO



JAMBS  
2 X 4 FRAME WITH STUCCO

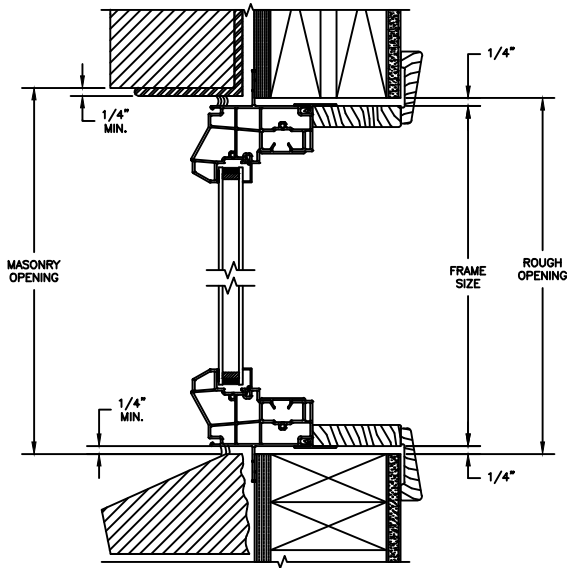
NOTE:  
THE ABOVE WALL SECTIONS REPRESENT TYPICAL WALL CONDITIONS, THESE DETAILS ARE NOT INTENDED AS INSTALLATIONS INSTRUCTIONS. PLEASE REFER TO THE INSTALLATION INSTRUCTIONS PROVIDED WITH THE PURCHASED UNITS.

# Next Dimension Classic Series

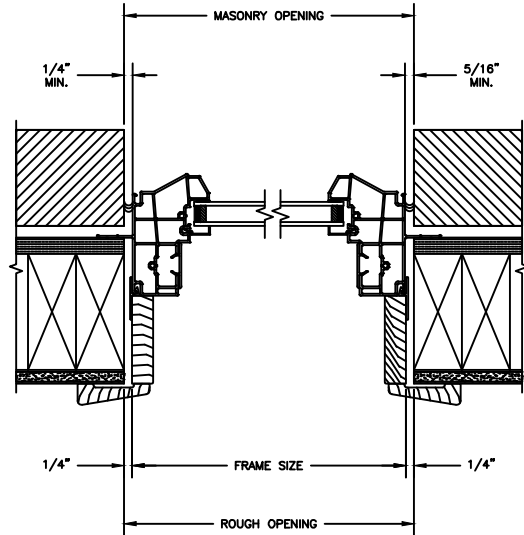
## DIRECT SET - DOUBLE HUNG

SECTION DETAILS: STANDARD FRAME CONSTRUCTION

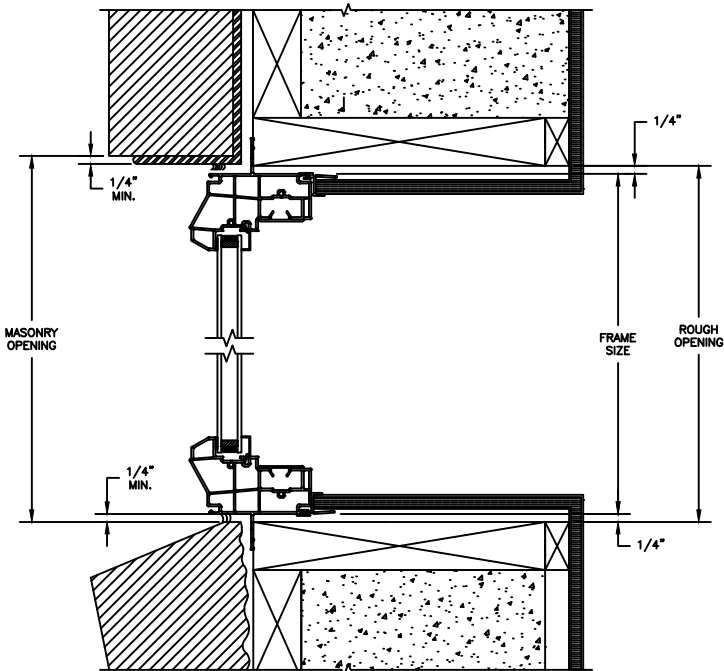
SCALE: 2" = 1'-0"



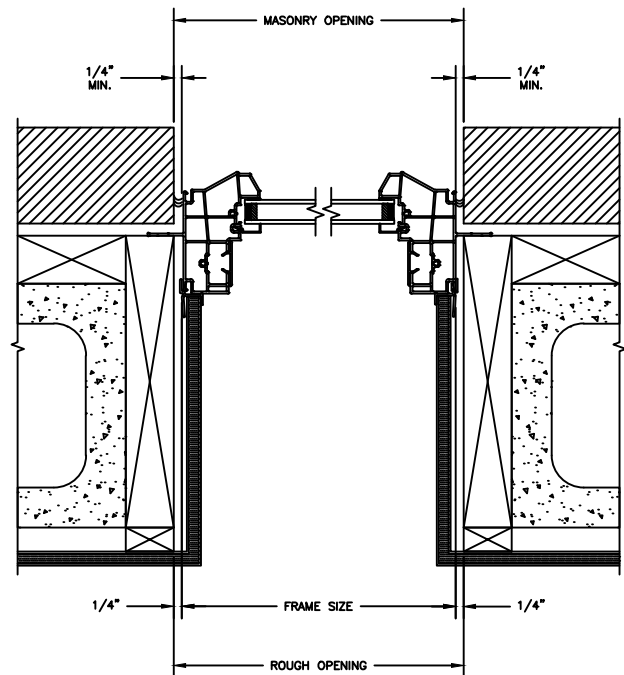
HEAD JAMB & SILL  
2 X 4 FRAME WITH BRICK VENEER



JAMBS  
2 X 4 FRAME WITH BRICK VENEER



HEAD JAMB & SILL  
8" CONCRETE BLOCK WALL  
WITH BRICK VENEER



JAMBS  
8" CONCRETE BLOCK WALL  
WITH BRICK VENEER

NOTE:  
THE ABOVE WALL SECTIONS REPRESENT TYPICAL WALL CONDITIONS, THESE DETAILS ARE NOT INTENDED AS INSTALLATIONS INSTRUCTIONS. PLEASE REFER TO THE INSTALLATION INSTRUCTIONS PROVIDED WITH THE PURCHASED UNITS.