



WINDSOR  
WINDOWS & DOORS

# Double Plaza Lite Guidelines

## CASEMENTS, AWNING, & FIXED WINDOWS

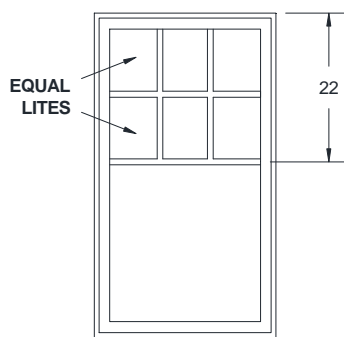
- Unless otherwise specified, the bottom horizontal bar on a double Plaza grille option will be located 22" down from the **top of the window frame**. It will be the same regardless of window height.
- The vertical bars will have the same spacing as a standard grille spacing for a unit of the same width.

## DOUBLE HUNG

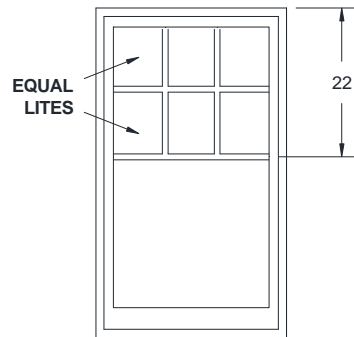
- Unless otherwise specified, the bottom horizontal bar on a double Plaza grille option will be located 22" down from the **top of the window frame**. It will be the same regardless of window height.
- The vertical bars will have the same spacing as a standard grille spacing for a unit of the same width.

## PATIO DOORS

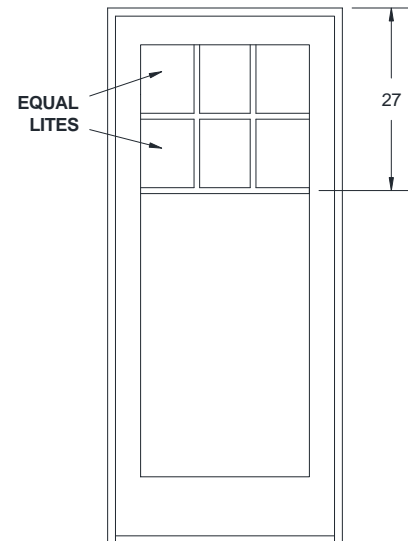
- Unless otherwise specified, the bottom horizontal bar on a double Plaza grille option will be located 27" down from the **top of the door frame**. It will be the same regardless door height.
- The vertical bars will have the same spacing as a standard grille spacing for a unit of the same width.



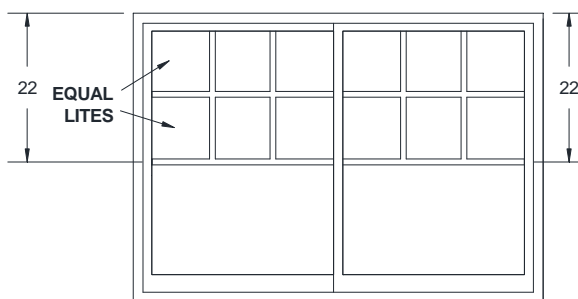
CASEMENT EXAMPLE



DOUBLE HUNG PICTURE EXAMPLE



PATIO DOOR EXAMPLE



GLIDE-BY EXAMPLE

**IMPORTANT:** When ordering windows or doors with plaza lite patterns, it is the customer's responsibility to make sure the grilles align in any mullered or combination unit. **Orders for Plaza units with bar spacing other than described above will require a customer approval drawing .**