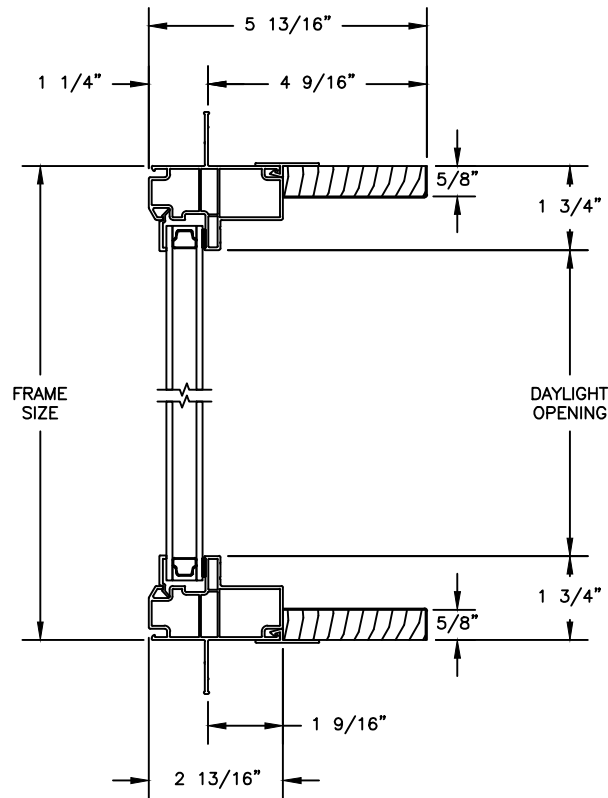


Next Dimension Pro Series

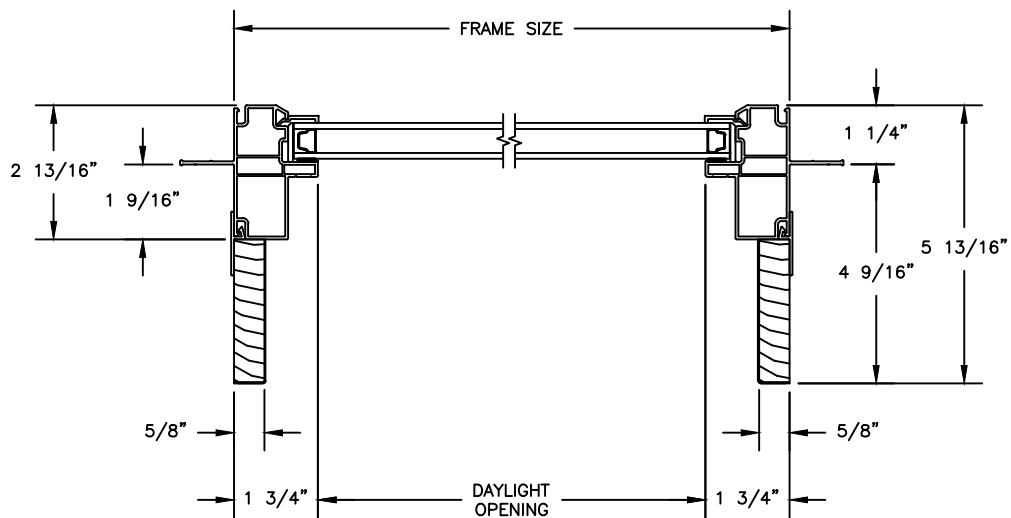
FIXED

SECTION DETAILS: STANDARD FRAME

SCALE: 3" = 1'-0"



HEAD JAMB & SILL



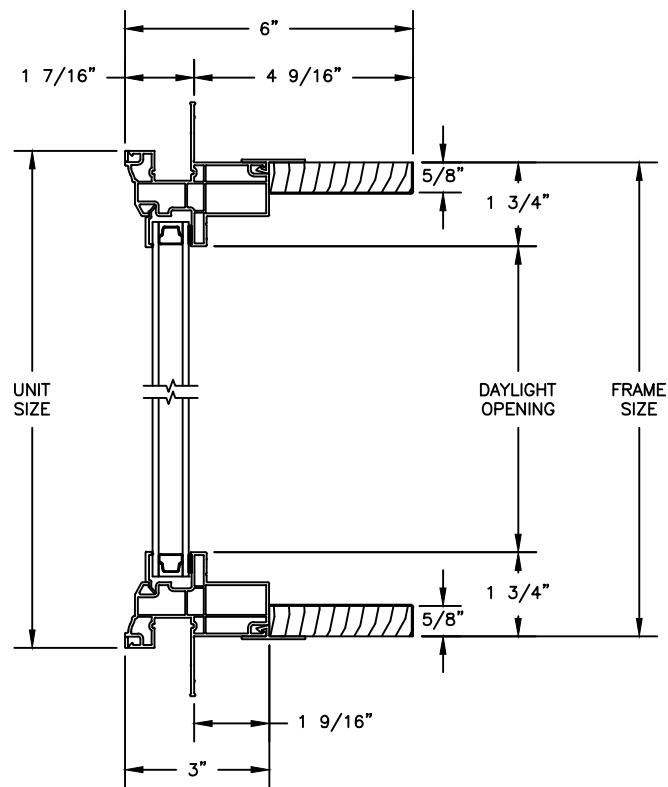
JAMBS

Next Dimension Pro Series

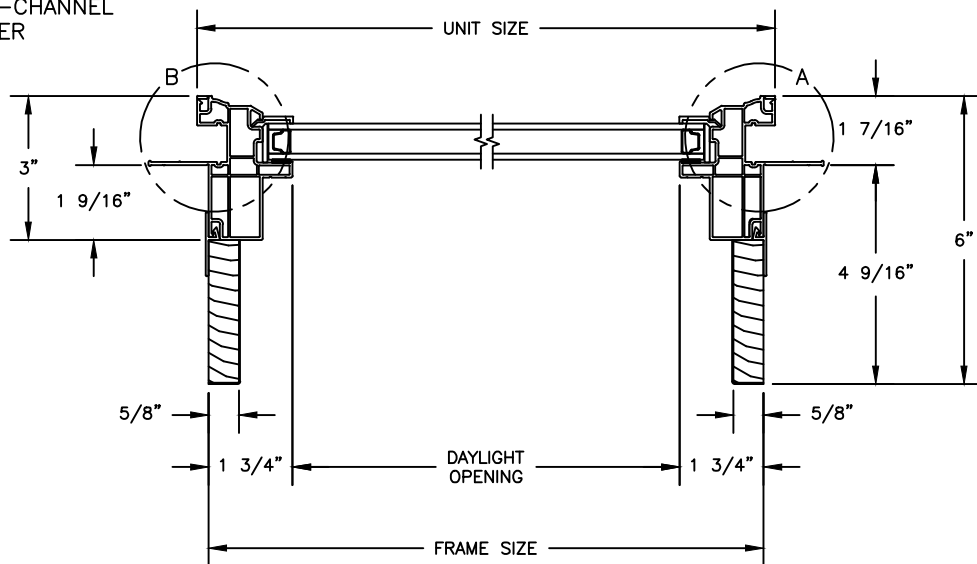
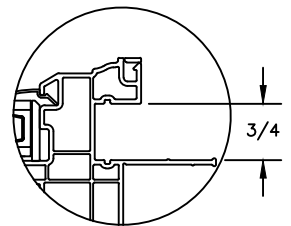
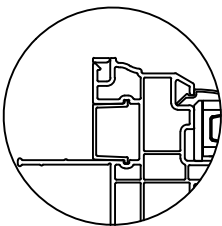
FIXED

SECTION DETAILS: BRICKMOULD OPTION

SCALE: 3" = 1'-0"



HEAD JAMB & SILL



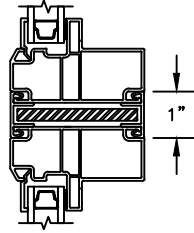
JAMBS

Next Dimension Pro Series

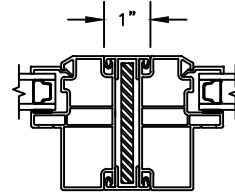
FIXED

SECTION DETAILS: MULLIONS

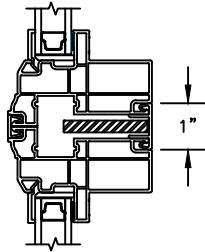
SCALE: 3" = 1'-0"



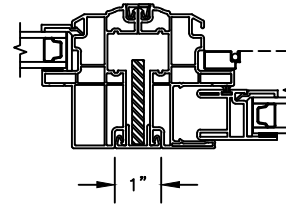
HORIZONTAL MULLION WITH
1/2" SPREAD MULL REINFORCEMENT
RADIUS/FIXED



VERTICAL MULLION WITH
1/2" SPREAD MULL REINFORCEMENT
FIXED/FIXED



HORIZONTAL MULLION
BRICKMOULD FRAME
FIXED/OPERATOR



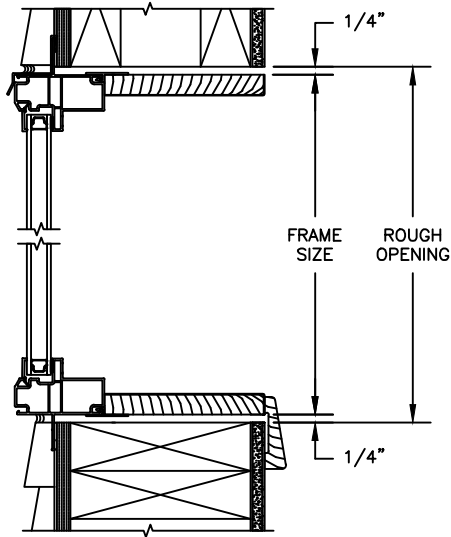
VERTICAL MULLION
BRICKMOULD FRAME
WITH ZERO MULL
FIXED/OPERATOR

Next Dimension Pro Series

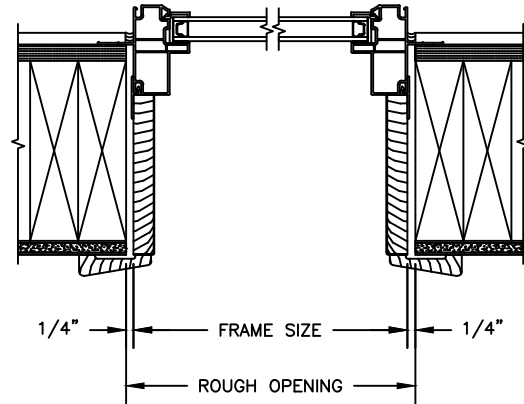
FIXED

SECTION DETAILS : STANDARD FRAME CONSTRUCTION

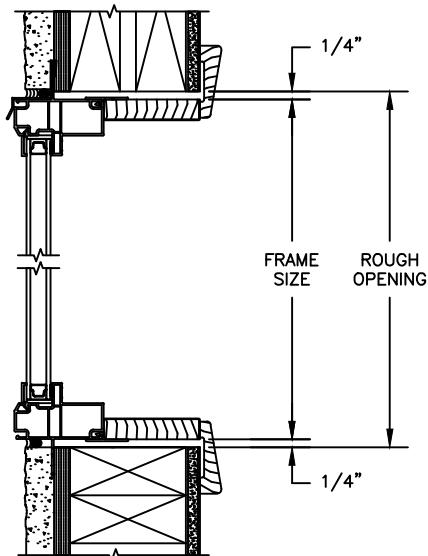
SCALE: 2" = 1'-0"



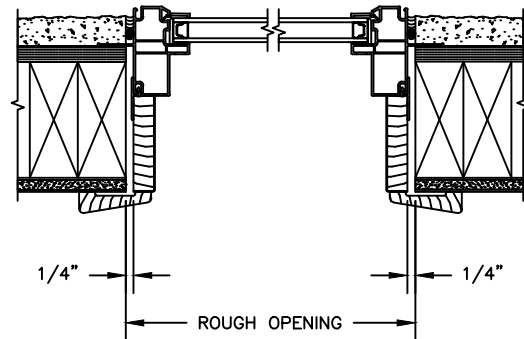
HEAD JAMB & SILL
2 X 6 FRAME WITH SIDING



JAMBS
2 X 6 FRAME WITH SIDING



HEAD JAMB & SILL
2 X 4 FRAME WITH STUCCO



JAMBS
2 X 4 FRAME WITH STUCCO

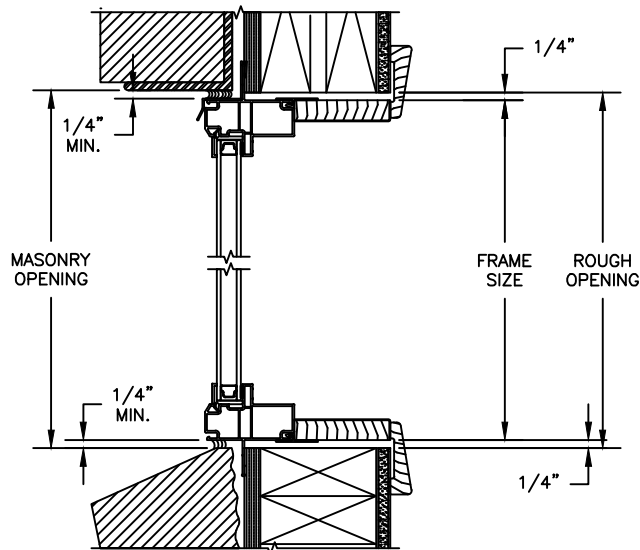
NOTE:
THE ABOVE WALL SECTIONS REPRESENT TYPICAL WALL CONDITIONS. THESE DETAILS ARE NOT INTENDED AS INSTALLATIONS INSTRUCTIONS. PLEASE REFER TO THE INSTALLATION INSTRUCTIONS PROVIDED WITH THE PURCHASED UNITS.

Next Dimension Pro Series

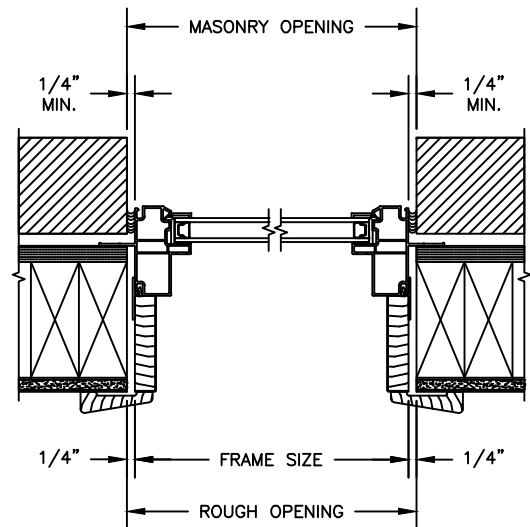
FIXED

SECTION DETAILS : STANDARD FRAME CONSTRUCTION

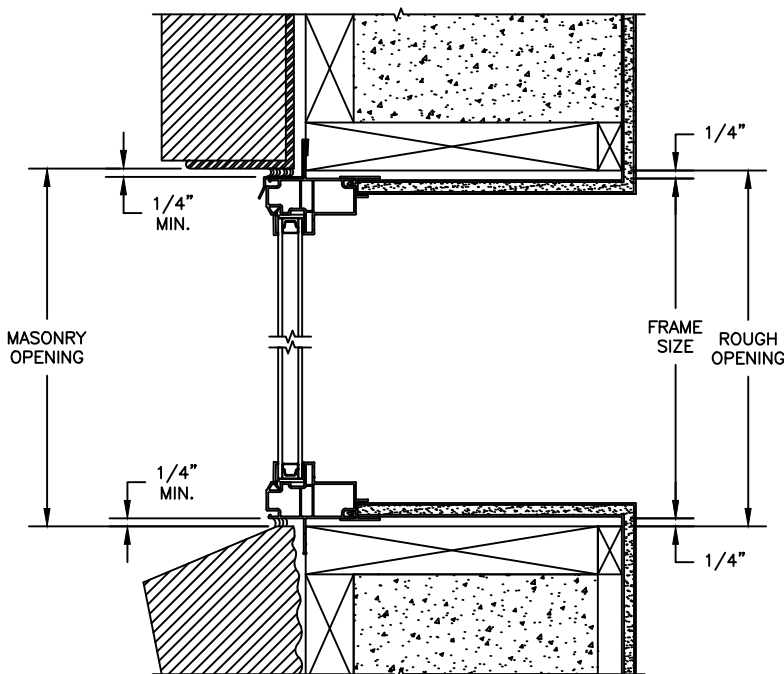
SCALE: 2" = 1'-0"



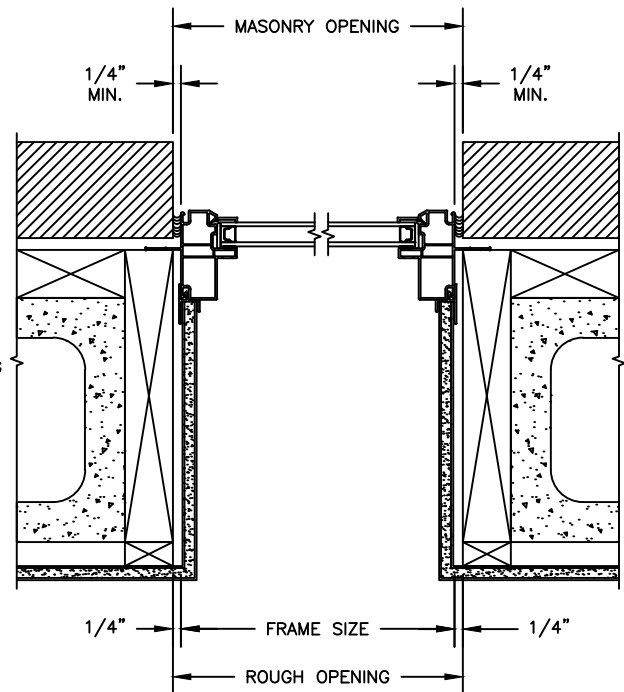
HEAD JAMB & SILL
2 X 4 FRAME WITH BRICK VENEER



JAMBS
2 X 4 FRAME WITH BRICK VENEER



HEAD JAMB & SILL
8" CONCRETE BLOCK WALL
WITH BRICK VENEER



JAMBS
8" CONCRETE BLOCK WALL
WITH BRICK VENEER

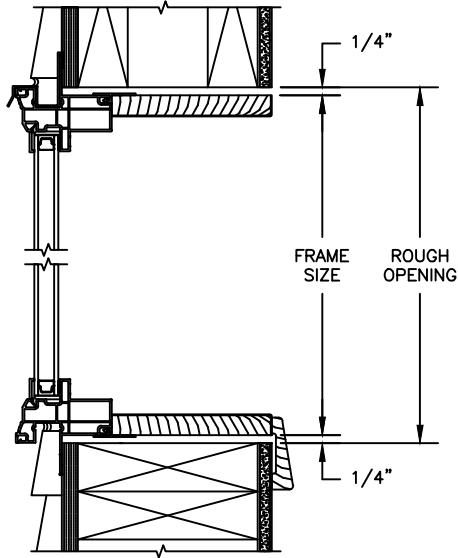
NOTE:
THE ABOVE WALL SECTIONS REPRESENT TYPICAL WALL CONDITIONS, THESE DETAILS ARE NOT INTENDED AS INSTALLATIONS INSTRUCTIONS. PLEASE REFER TO THE INSTALLATION INSTRUCTIONS PROVIDED WITH THE PURCHASED UNITS.

Next Dimension Pro Series

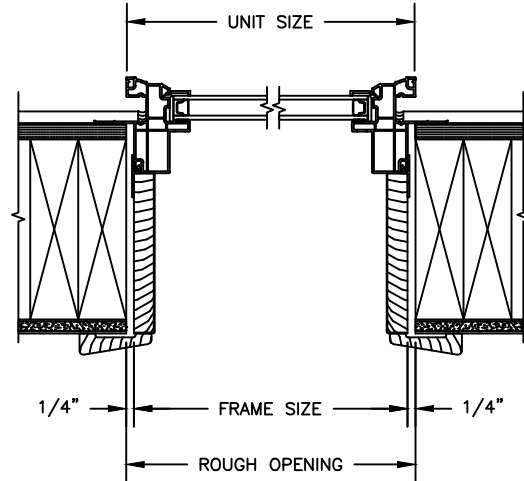
FIXED

SECTION DETAILS : BRICKMOULD FRAME CONSTRUCTION

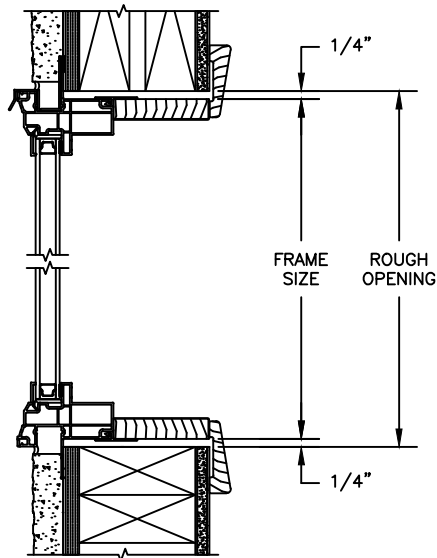
SCALE: 2" = 1'-0"



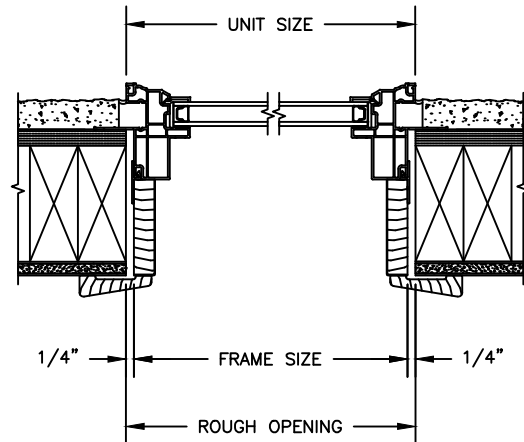
HEAD JAMB & SILL
2 X 6 FRAME WITH SIDING



JAMBS
2 X 6 FRAME WITH SIDING



HEAD JAMB & SILL
2 X 4 FRAME WITH STUCCO



JAMBS
2 X 4 FRAME WITH STUCCO

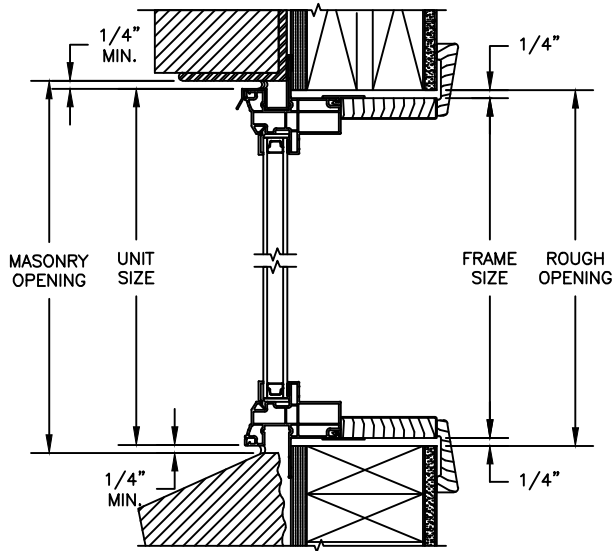
NOTE:
THE ABOVE WALL SECTIONS REPRESENT TYPICAL WALL CONDITIONS, THESE DETAILS ARE NOT INTENDED AS INSTALLATIONS INSTRUCTIONS. PLEASE REFER TO THE INSTALLATION INSTRUCTIONS PROVIDED WITH THE PURCHASED UNITS.

Next Dimension Pro Series

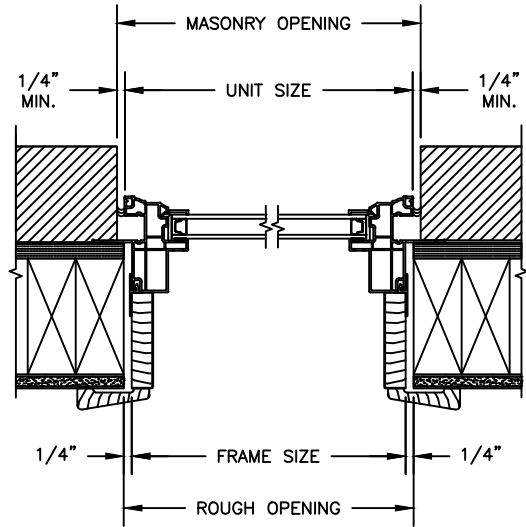
FIXED

SECTION DETAILS : BRICKMOULD FRAME CONSTRUCTION

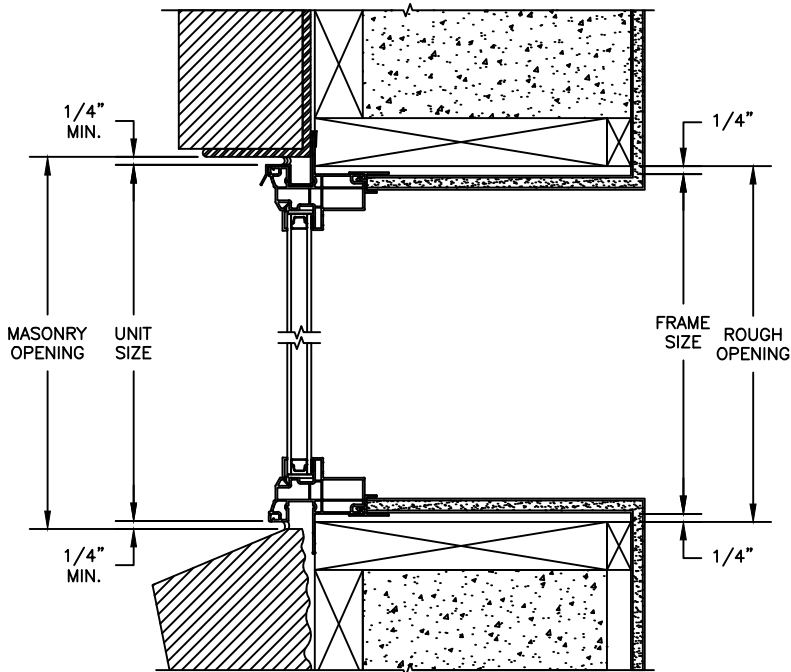
SCALE: 2" = 1'-0"



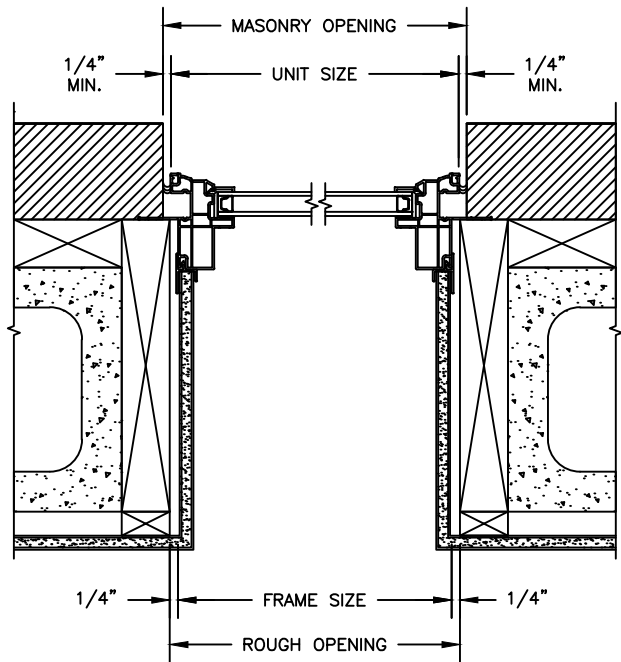
HEAD JAMB & SILL
2 X 4 FRAME WITH BRICK VENEER



JAMBS
2 X 4 FRAME WITH BRICK VENEER



HEAD JAMB & SILL
8" CONCRETE BLOCK WALL
WITH BRICK VENEER



JAMBS
8" CONCRETE BLOCK WALL
WITH BRICK VENEER

NOTE:
THE ABOVE WALL SECTIONS REPRESENT TYPICAL WALL CONDITIONS, THESE DETAILS ARE NOT INTENDED AS INSTALLATIONS INSTRUCTIONS. PLEASE REFER TO THE INSTALLATION INSTRUCTIONS PROVIDED WITH THE PURCHASED UNITS.