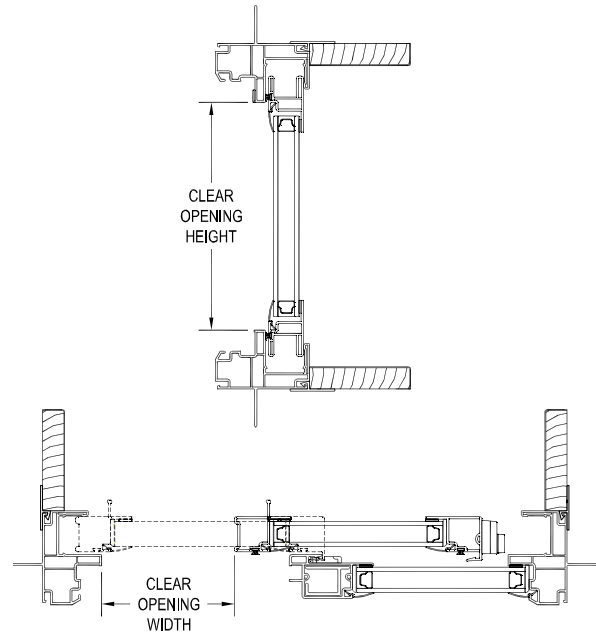


# Next Dimension Pro Series

## SLIDER

### EGRESS, LITE & SCREEN MEASUREMENTS

Egress, Lite and Vent Measurements									
Slider									
Size	Egress Width	Egress Height	Sq. Ft. Egress	Egress Code Compliance*			Sq. Ft. Daylite	Screen Size	
				U.S.		Canada		Width	Height
				5.0 ft <sup>2</sup>	5.7 ft <sup>2</sup>				
2424	8.438	20.000	1.17	-	-	-	2.13	10 3/8	21 1/8
2430	8.438	26.000	1.52	-	-	-	2.80	10 3/8	27 1/8
2436	8.438	32.000	1.88	-	-	-	3.47	10 3/8	33 1/8
2442	8.438	38.000	2.23	-	-	-	4.14	10 3/8	39 1/8
2448	8.438	44.000	2.58	-	-	-	4.81	10 3/8	45 1/8
3024	11.438	20.000	1.59	-	-	-	2.92	13 3/8	21 1/8
3030	11.438	26.000	2.07	-	-	-	3.84	13 3/8	27 1/8
3036	11.438	32.000	2.54	-	-	-	4.76	13 3/8	33 1/8
3042	11.438	38.000	3.02	-	-	-	5.68	13 3/8	39 1/8
3048	11.438	44.000	3.49	-	-	-	6.60	13 3/8	45 1/8
3624	14.438	20.000	2.01	-	-	-	3.72	16 3/8	21 1/8
3630	14.438	26.000	2.61	-	-	-	4.89	16 3/8	27 1/8
3636	14.438	32.000	3.21	-	-	-	6.06	16 3/8	33 1/8
3642	14.438	38.000	3.81	-	-	-	7.23	16 3/8	39 1/8
3648	14.438	44.000	4.41	-	-	-	8.40	16 3/8	45 1/8
3654	14.438	50.000	5.01	-	-	-	9.57	16 3/8	51 1/8
3660	14.438	56.000	5.61	-	-	-	10.74	16 3/8	57 1/8
3666	14.438	62.000	6.22	-	-	-	11.91	16 3/8	63 1/8
4224	17.438	20.000	2.42	-	-	-	4.52	19 3/8	21 1/8
4230	17.438	26.000	3.15	-	-	-	5.94	19 3/8	27 1/8
4236	17.438	32.000	3.88	-	-	Y	7.35	19 3/8	33 1/8
4242	17.438	38.000	4.60	-	-	Y	8.77	19 3/8	39 1/8
4248	17.438	44.000	5.33	-	-	Y	10.19	19 3/8	45 1/8
4254	17.438	50.000	6.05	-	-	Y	11.61	19 3/8	51 1/8
4260	17.438	56.000	6.78	-	-	Y	13.03	19 3/8	57 1/8
4266	17.438	62.000	7.51	-	-	Y	14.46	19 3/8	63 1/8
4824	20.438	20.000	2.84	-	-	-	5.31	22 3/8	21 1/8
4830	20.438	26.000	3.69	-	-	-	6.98	22 3/8	27 1/8
4836	20.438	32.000	4.54	-	-	Y	8.65	22 3/8	33 1/8
4842	20.438	38.000	5.39	Y	-	Y	10.32	22 3/8	39 1/8
4848	20.438	44.000	6.24	Y	Y	Y	11.99	22 3/8	45 1/8
4854	20.438	50.000	7.10	Y	Y	Y	13.66	22 3/8	51 1/8
4860	20.438	56.000	7.95	Y	Y	Y	15.33	22 3/8	57 1/8
4866	20.438	62.000	8.80	Y	Y	Y	17.00	22 3/8	63 1/8
5424	23.438	20.000	3.26	-	-	-	6.11	25 3/8	21 1/8
5430	23.438	26.000	4.23	-	-	Y	8.03	25 3/8	27 1/8
5436	23.438	32.000	5.21	Y	-	Y	9.95	25 3/8	33 1/8
5442	23.438	38.000	6.19	Y	Y	Y	11.86	25 3/8	39 1/8
5448	23.438	44.000	7.16	Y	Y	Y	13.78	25 3/8	45 1/8
5454	23.438	50.000	8.14	Y	Y	Y	15.70	25 3/8	51 1/8
5460	23.438	56.000	9.11	Y	Y	Y	17.62	25 3/8	57 1/8
5466	23.438	62.000	10.09	Y	Y	Y	19.54	25 3/8	63 1/8
6024	26.438	20.000	3.67	-	-	-	6.90	28 3/8	21 1/8
6030	26.438	26.000	4.77	-	-	Y	9.07	28 3/8	27 1/8
6036	26.438	32.000	5.88	Y	Y	Y	11.24	28 3/8	33 1/8
6042	26.438	38.000	6.98	Y	Y	Y	13.41	28 3/8	39 1/8
6048	26.438	44.000	8.08	Y	Y	Y	15.58	28 3/8	45 1/8
6054	26.438	50.000	9.18	Y	Y	Y	17.75	28 3/8	51 1/8
6060	26.438	56.000	10.28	Y	Y	Y	19.92	28 3/8	57 1/8
6066	26.438	62.000	11.38	Y	Y	Y	22.09	28 3/8	63 1/8
6624	29.438	20.000	4.09	-	-	Y	7.70	31 3/8	21 1/8
6630	29.438	26.000	5.32	Y	-	Y	10.12	31 3/8	27 1/8
6636	29.438	32.000	6.54	Y	Y	Y	12.54	31 3/8	33 1/8
6642	29.438	38.000	7.77	Y	Y	Y	14.96	31 3/8	39 1/8
6648	29.438	44.000	8.99	Y	Y	Y	17.38	31 3/8	45 1/8
6654	29.438	50.000	10.22	Y	Y	Y	19.80	31 3/8	51 1/8
6660	29.438	56.000	11.45	Y	Y	Y	22.21	31 3/8	57 1/8
6666	29.438	62.000	12.67	Y	Y	Y	24.63	31 3/8	63 1/8



Egress Conversions	
Width	R.O. / 2 - 3.562"
Height	R.O. - 4"

**\* Egress Code Compliance Terminology**

- Y Meets Code
- Does Not Meet Code

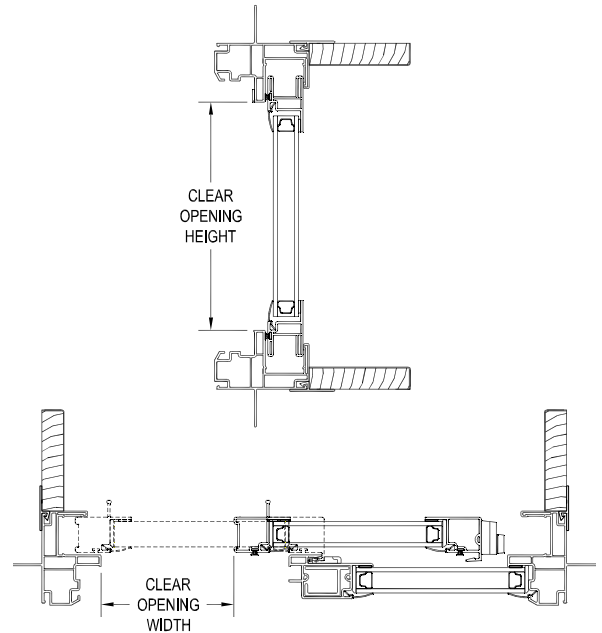
Code Requirements	Min Width	Min Height	Min Area (sq.ft.)
U.S.	20"	24"	5.7
U.S. Grade Floor	20"	24"	5.0
Canada	15"	15"	3.77

# Next Dimension Pro Series

## SLIDER

### EGRESS, LITE & SCREEN MEASUREMENTS

Egress, Lite and Vent Measurements									
Slider									
Size	Egress Width	Egress Height	Sq. Ft. Egress	Egress Code Compliance*			Sq. Ft. Daylite	Screen Size	
				U.S.		Canada		Width	Height
				5.0 ft <sup>2</sup>	5.7 ft <sup>2</sup>				
7224	32.438	20.000	4.51	-	-	Y	8.49	34 3/8	21 1/8
7230	32.438	26.000	5.86	Y	Y	Y	11.16	34 3/8	27 1/8
7236	32.438	32.000	7.21	Y	Y	Y	13.63	34 3/8	33 1/8
7242	32.438	38.000	8.56	Y	Y	Y	16.50	34 3/8	39 1/8
7248	32.438	44.000	9.91	Y	Y	Y	19.17	34 3/8	45 1/8
7254	32.438	50.000	11.26	Y	Y	Y	21.84	34 3/8	51 1/8
7260	32.438	56.000	12.61	Y	Y	Y	24.51	34 3/8	57 1/8
7266	32.438	62.000	13.97	Y	Y	Y	27.18	34 3/8	63 1/8
Triples									
18-36-1836	15.515	32.000	3.45	-	-	-	9.85	16 3/8	33 1/8
18-36-1842	15.515	38.000	4.09	-	-	Y	11.73	16 3/8	39 1/8
18-36-1848	15.515	44.000	4.74	-	-	Y	13.60	16 3/8	45 1/8
18-36-1854	15.515	50.000	5.39	-	-	Y	15.48	16 3/8	51 1/8
18-36-1860	15.515	56.000	6.03	-	-	Y	17.36	16 3/8	57 1/8
24-24-2436	20.796	32.000	4.62	-	-	Y	8.44	22 3/8	33 1/8
24-24-2442	20.796	38.000	5.49	Y	-	Y	10.07	22 3/8	39 1/8
24-24-2448	20.796	44.000	6.35	Y	Y	Y	11.70	22 3/8	45 1/8
24-24-2454	20.796	50.000	7.22	Y	Y	Y	13.32	22 3/8	51 1/8
24-24-2460	20.796	56.000	8.09	Y	Y	Y	14.95	22 3/8	57 1/8
21-42-2136	18.515	32.000	4.11	-	-	Y	15.63	19 3/8	33 1/8
21-42-2142	18.515	38.000	4.89	-	-	Y	18.64	19 3/8	39 1/8
21-42-2148	18.515	44.000	5.66	-	-	Y	21.65	19 3/8	45 1/8
21-42-2154	18.515	50.000	6.43	-	-	Y	24.65	19 3/8	51 1/8
21-42-2160	18.515	56.000	7.20	-	-	Y	27.66	19 3/8	57 1/8
30-30-3036	26.796	32.000	5.95	Y	Y	Y	11.03	28 3/8	33 1/8
30-30-3042	26.796	38.000	7.07	Y	Y	Y	13.16	28 3/8	39 1/8
30-30-3048	26.796	44.000	8.19	Y	Y	Y	15.29	28 3/8	45 1/8
30-30-3054	26.796	50.000	9.30	Y	Y	Y	17.41	28 3/8	51 1/8
30-30-3060	26.796	56.000	10.42	Y	Y	Y	19.54	28 3/8	57 1/8
24-48-2436	21.515	32.000	4.78	-	-	Y	13.77	22 3/8	33 1/8
24-48-2442	21.515	38.000	5.68	Y	-	Y	16.40	22 3/8	39 1/8
24-48-2448	21.515	44.000	6.57	Y	Y	Y	19.03	22 3/8	45 1/8
24-48-2454	21.515	50.000	7.47	Y	Y	Y	21.66	22 3/8	51 1/8
24-48-2460	21.515	56.000	8.37	Y	Y	Y	24.28	22 3/8	57 1/8



Egress Conversions	
Width	R.O. / 2 - 3.562"
Height	R.O. - 4"

**\* Egress Code Compliance Terminology**

- Y Meets Code
- Does Not Meet Code

Code Requirements	Min Width	Min Height	Min Area (sq.ft.)
U.S.	20"	24"	5.7
U.S. Grade Floor	20"	24"	5.0
Canada	15"	15"	3.77