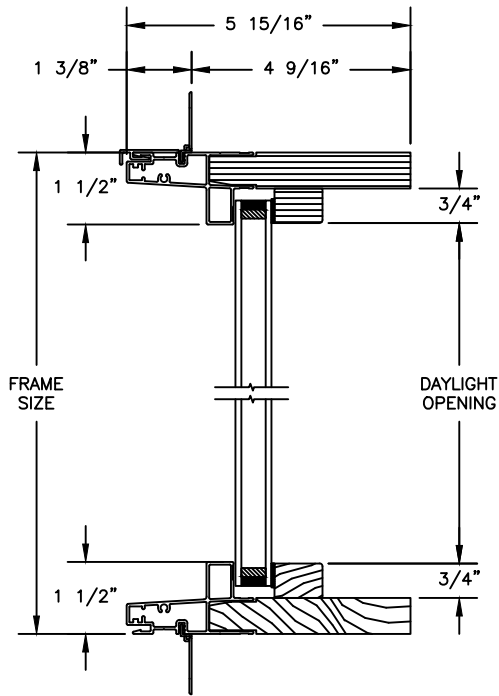


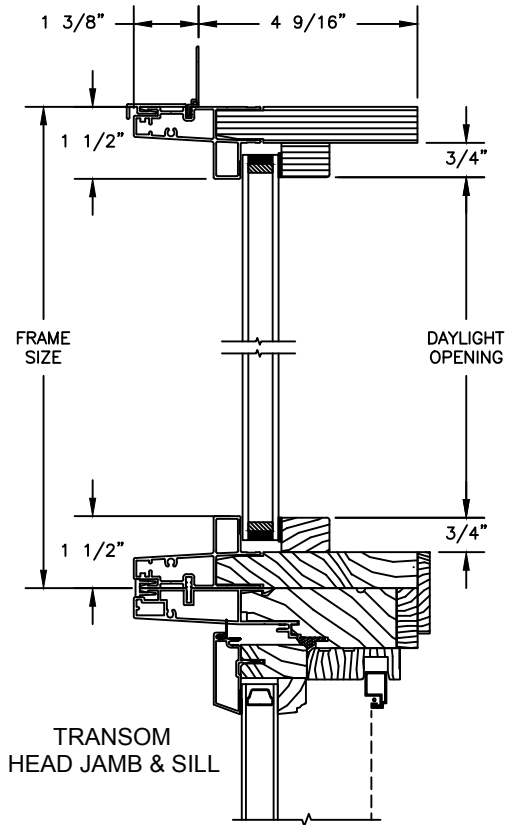
# Pinnacle Series

## CLAD RADIUS CASEMENT

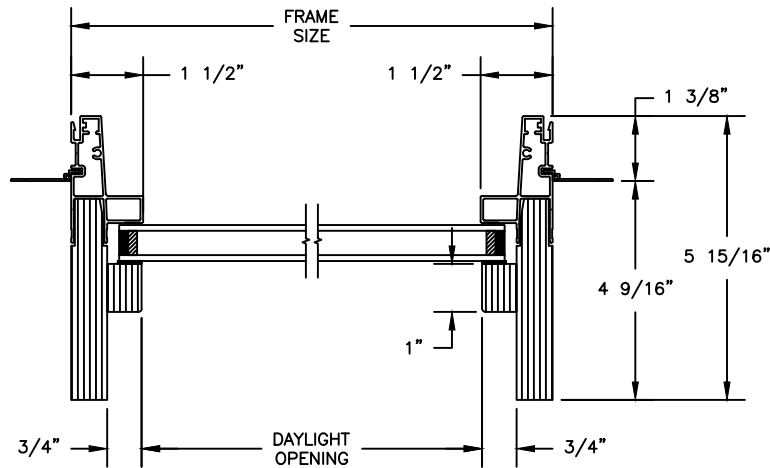
SECTION DETAILS: HALF ROUND  
 SCALE: 3" = 1'-0"



HEAD JAMB & SILL



TRANSOM  
 HEAD JAMB & SILL



HALF ROUNDS, FULL ROUNDS & OVALS  
 JAMB

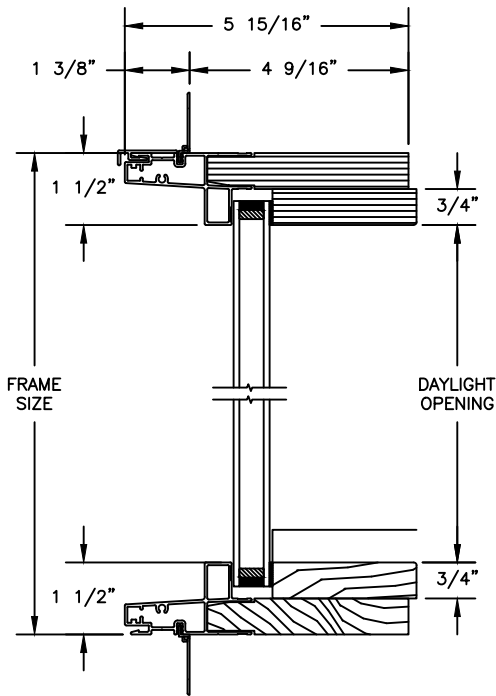
### AVAILABLE INTERIOR TRIM PROFILES



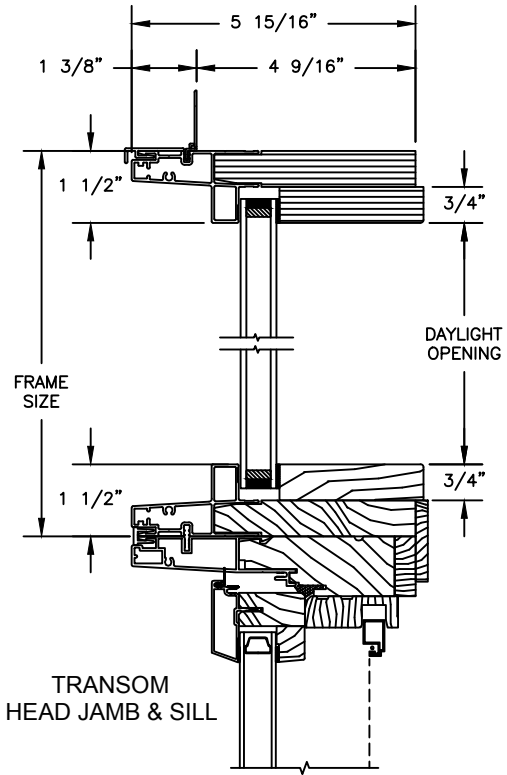
# Pinnacle Series

## CLAD RADIUS CASEMENT

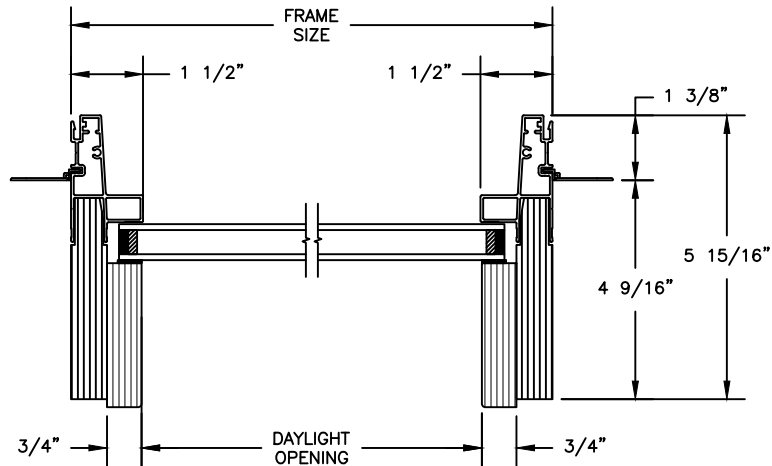
SECTION DETAILS: HALF ROUND WITH CONTEMPORARY STOPS  
 SCALE: 3" = 1'-0"



HEAD JAMB & SILL



TRANSOM  
HEAD JAMB & SILL



HALF ROUNDS, FULL ROUNDS & OVALS  
JAMB

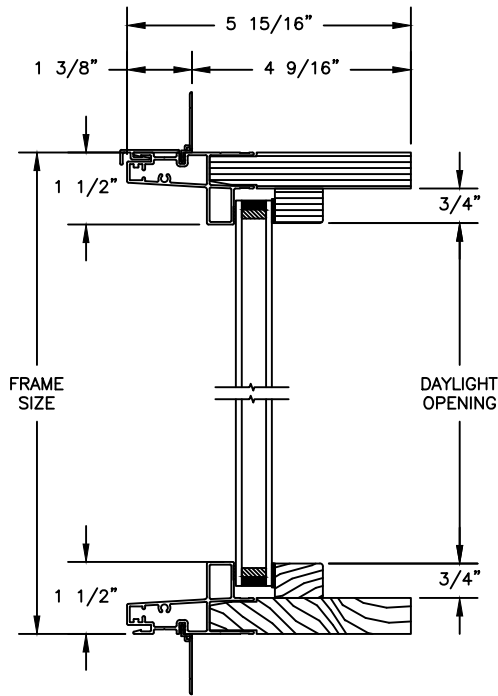
### AVAILABLE INTERIOR TRIM PROFILES



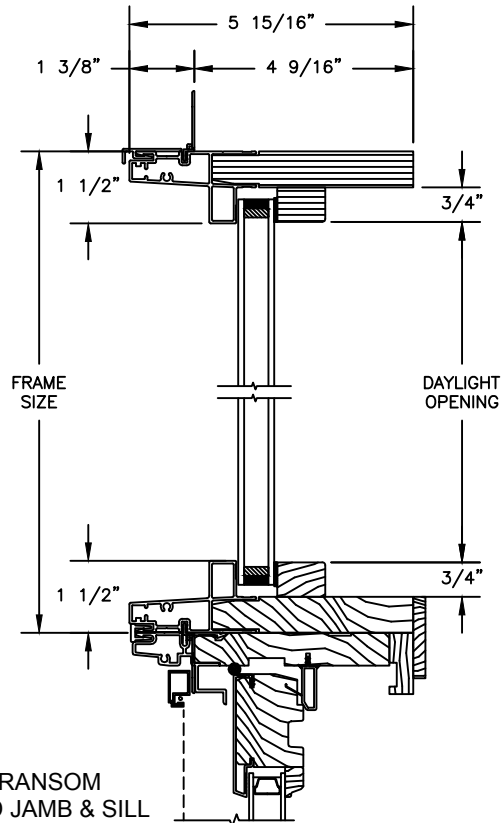
# Pinnacle Series

## CLAD RADIUS DOUBLE HUNG

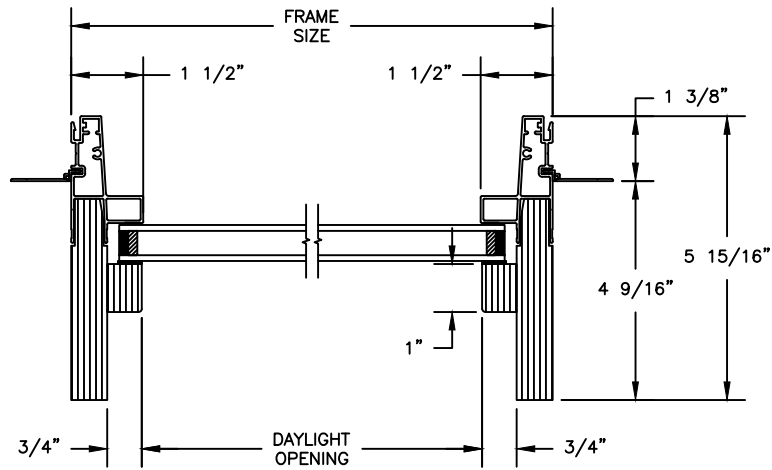
SECTION DETAILS: HALF ROUND  
 SCALE: 3" = 1'-0"



HEAD JAMB & SILL



TRANSOM  
 HEAD JAMB & SILL



HALF ROUNDS, FULL ROUNDS & OVALS  
 JAMB

### AVAILABLE INTERIOR TRIM PROFILES

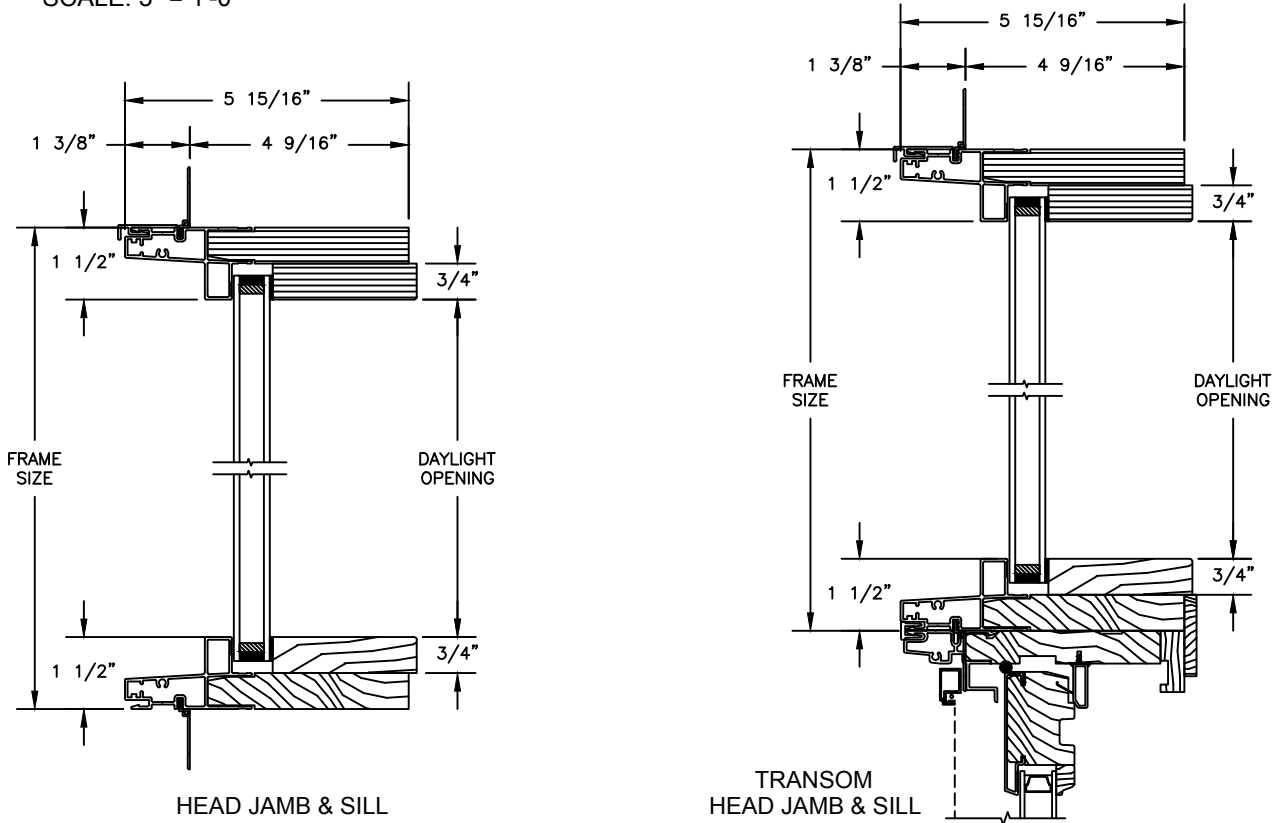


# Pinnacle Series

## CLAD RADIUS DOUBLE HUNG

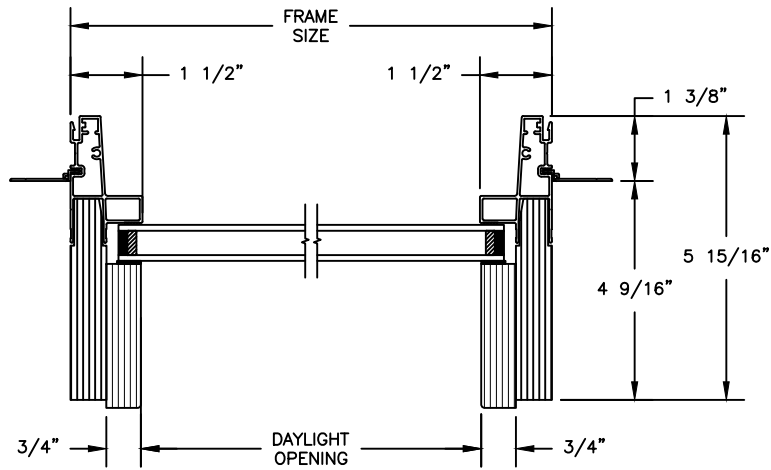
SECTION DETAILS: HALF ROUND WITH CONTEMPORARY STOPS

SCALE: 3" = 1'-0"



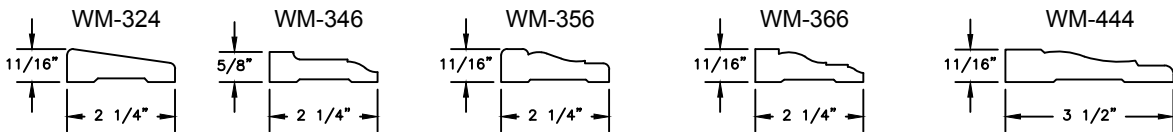
HEAD JAMB & SILL

TRANSOM HEAD JAMB & SILL



HALF ROUNDS, FULL ROUNDS & OVALS JAMB

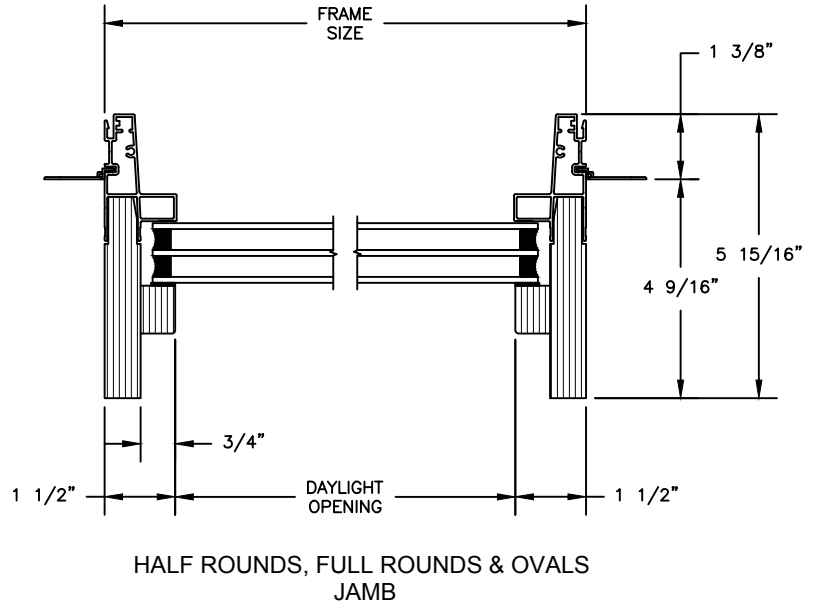
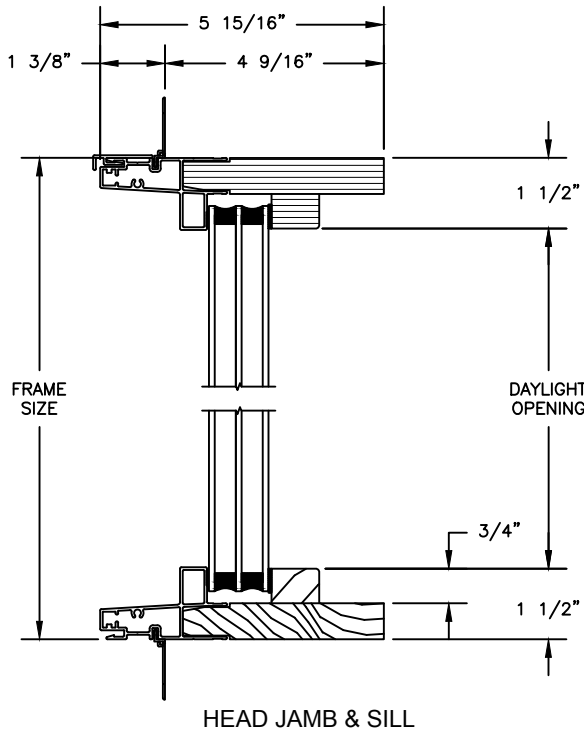
### AVAILABLE INTERIOR TRIM PROFILES



# Pinnacle Series

## CLAD RADIUS DIRECT SET

SECTION DETAILS: 1 1/4" TRIPLE IG RADIUS  
 SCALE: 3" = 1'-0"



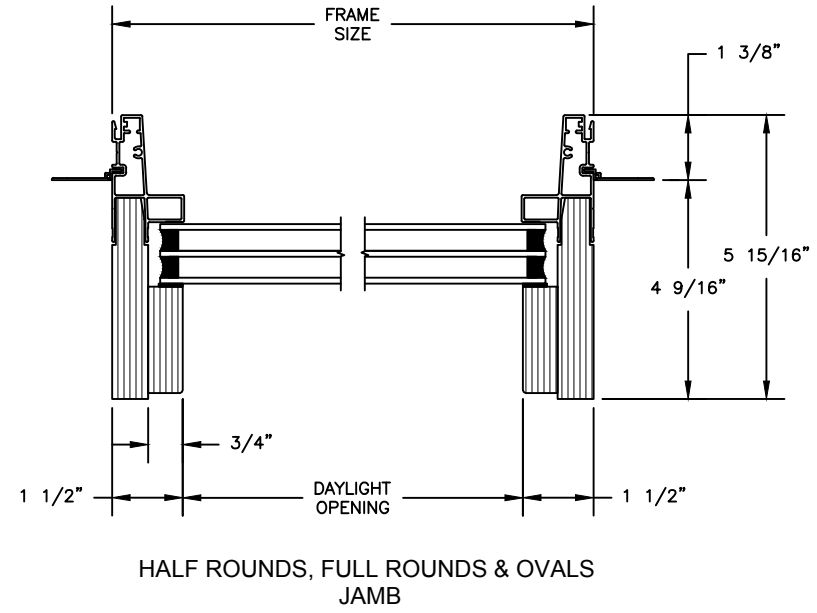
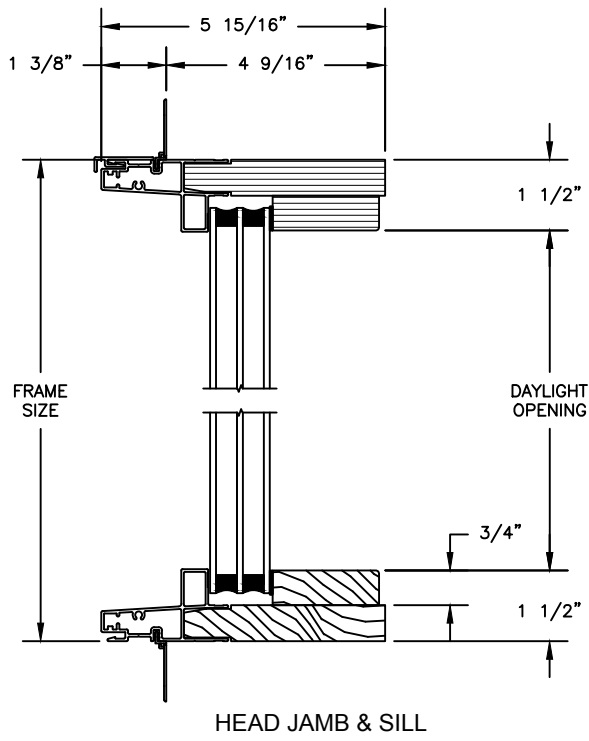
### AVAILABLE INTERIOR TRIM PROFILES



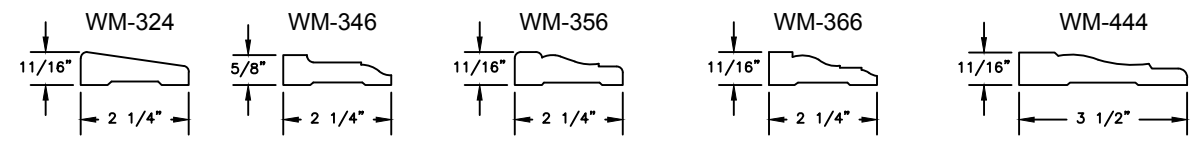
# Pinnacle Series

## CLAD RADIUS DIRECT SET

SECTION DETAILS: 1 1/4" TRIPLE IG RADIUS WITH CONTEMPORARY STOPS  
 SCALE: 3" = 1'-0"



### AVAILABLE INTERIOR TRIM PROFILES

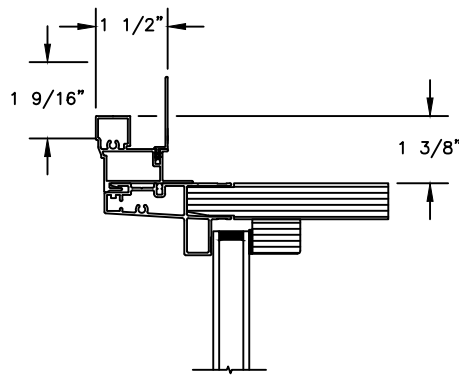


# Pinnacle Series

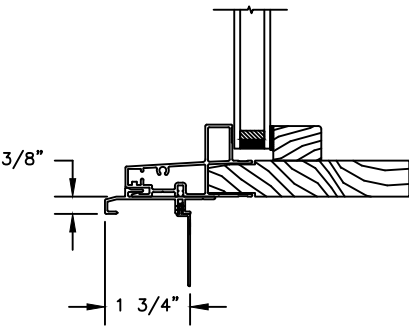
## CLAD RADIUS

SECTION DETAILS : CASING OPTIONS

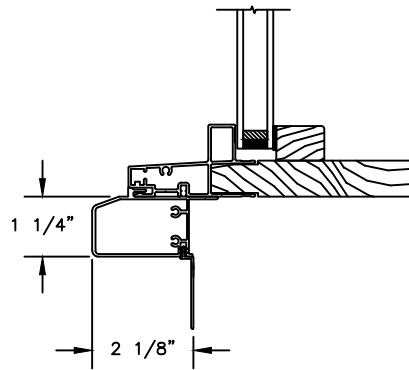
SCALE: 3" = 1'-0"



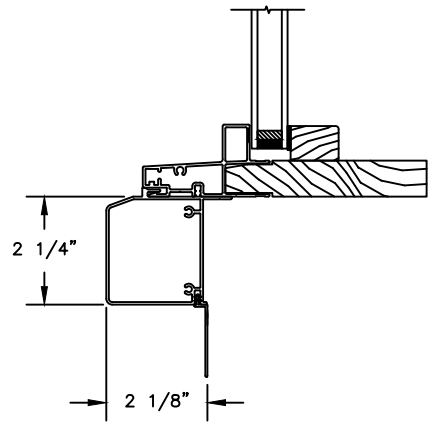
HEAD JAMB WITH CLAD BRICKMOULD CASING



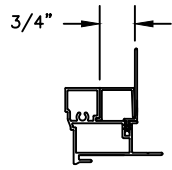
SILL WITH 3/8" CLAD SUBSILL



SILL WITH 1 1/4" CLAD SUBSILL



SILL WITH 2 1/4" CLAD SUBSILL



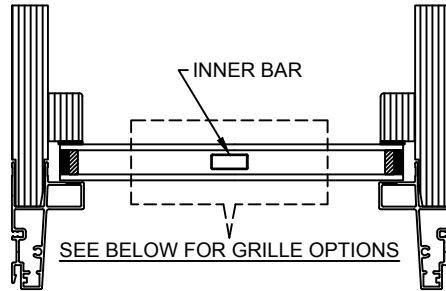
CLAD BRICKMOULD CASING WITH OPTIONAL J-CHANNEL COVER

# Pinnacle Series

## CLAD RADIUS

SECTION DETAILS : DIVIDED LITE OPTIONS





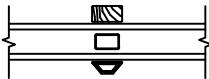

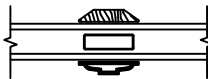

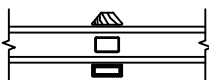












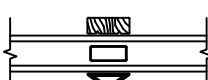











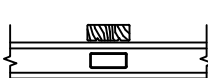
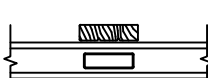

SCALE: 3" = 1'-0"



AVAILABLE STYLES

-  - PUTTY
-  - TALL PUTTY\*
-  - OGEE
-  - CONTEMPORARY
-  - TALL CONTEMPORARY\*

\*CLAD EXTERIOR BAR ONLY

	5/8" WDL WITH INNER BAR	7/8" WDL WITH INNER BAR	1 1/4" WDL WITH INNER BAR	2" WDL WITH INNER BAR
STANDARD INSULATING GLASS				
13/16" INNERGRILLE				
3/4" PROFILED INNERGRILLE				
1" PROFILED INNERGRILLE				
7/8" STICK GRILLE				
1 1/4" STICK GRILLE				
				
				
				

NOTE:  
\* ALL WDL OPTIONS CAN BE ORDERED WITH OR WITHOUT INNER BAR



# Pinnacle Series

## CLAD RADIUS

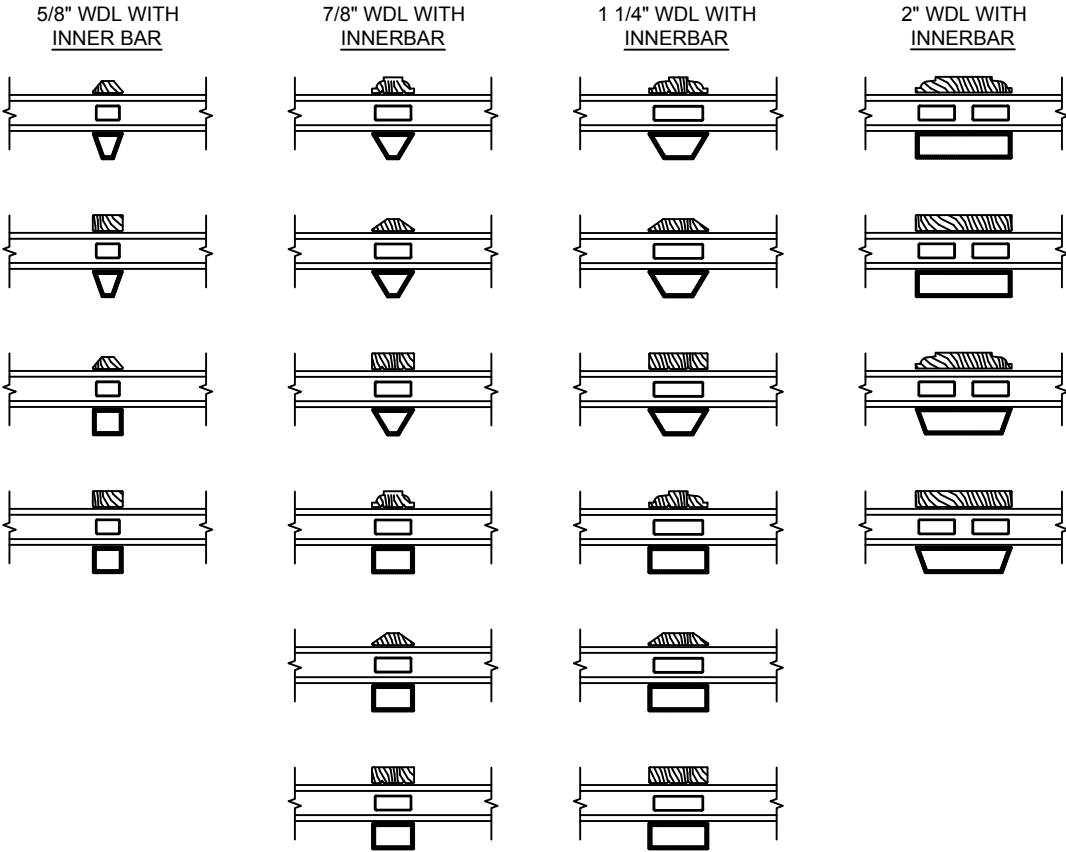
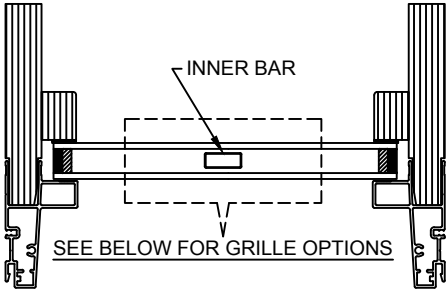
SECTION DETAILS : DIVIDED LITE OPTIONS

SCALE: 3" = 1'-0"

AVAILABLE STYLES

-  - PUTTY
-  - TALL PUTTY\*
-  - OGEE
-  - CONTEMPORARY
-  - TALL CONTEMPORARY\*

\*CLAD EXTERIOR BAR ONLY



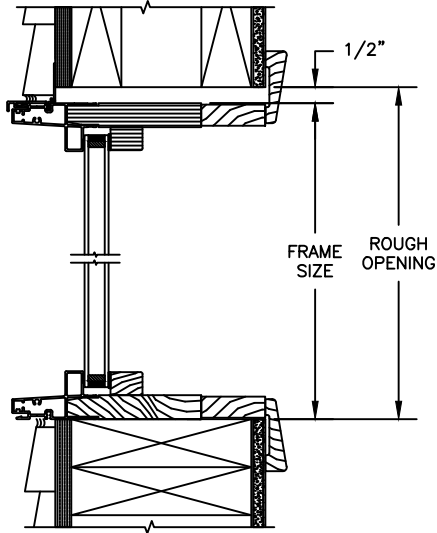
NOTE:  
\* ALL WDL OPTIONS CAN BE ORDERED WITH OR WITHOUT INNER BAR

# Pinnacle Series

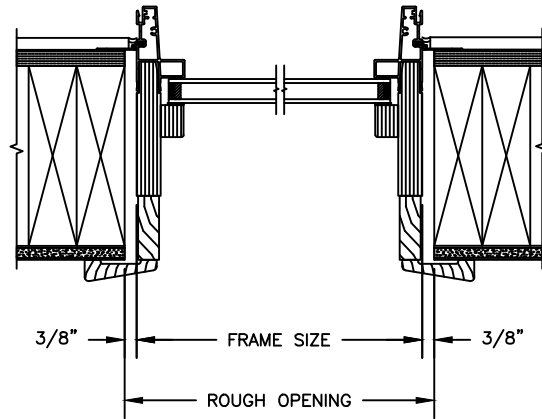
## CLAD RADIUS

SECTION DETAILS : CONSTRUCTION

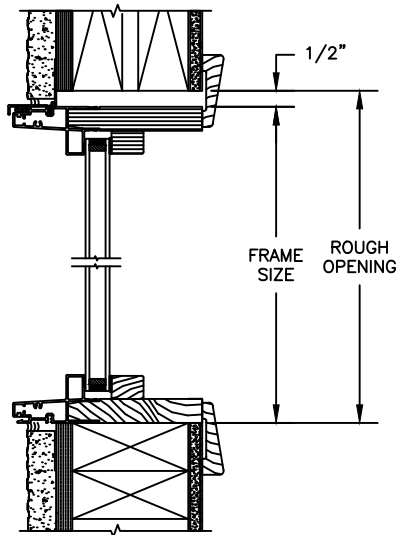
SCALE: 2" = 1'-0"



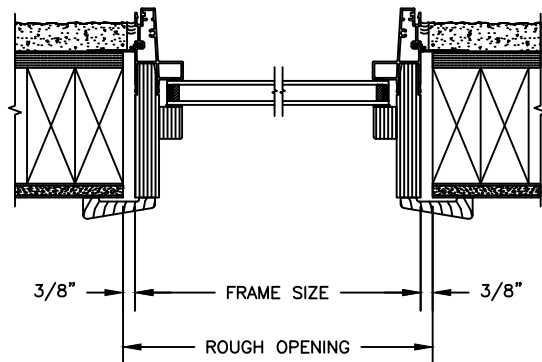
HEAD JAMB & SILL  
2 X 6 FRAME WITH SIDING



HEAD JAMB & SILL  
2 X 6 FRAME WITH SIDING



HEAD JAMB & SILL  
2 X 4 FRAME WITH STUCCO



JAMBS  
2 X 4 FRAME WITH STUCCO

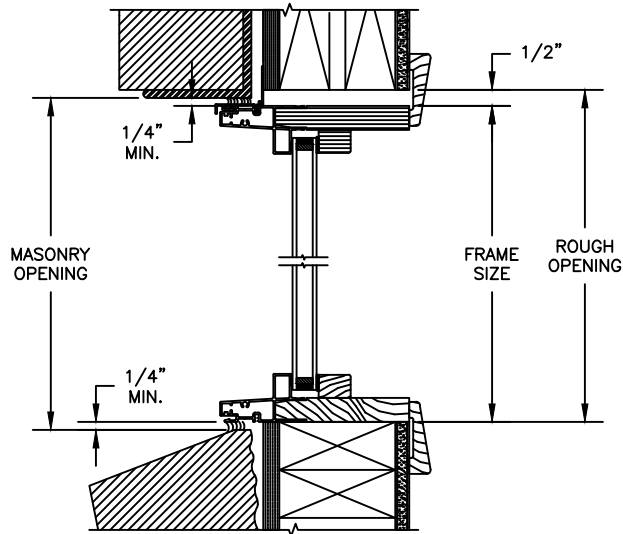
NOTE:  
THE ABOVE WALL SECTIONS REPRESENT TYPICAL WALL CONDITIONS, THESE DETAILS ARE NOT INTENDED AS INSTALLATIONS INSTRUCTIONS. PLEASE REFER TO THE INSTALLATION INSTRUCTIONS PROVIDED WITH THE PURCHASED UNITS.

# Pinnacle Series

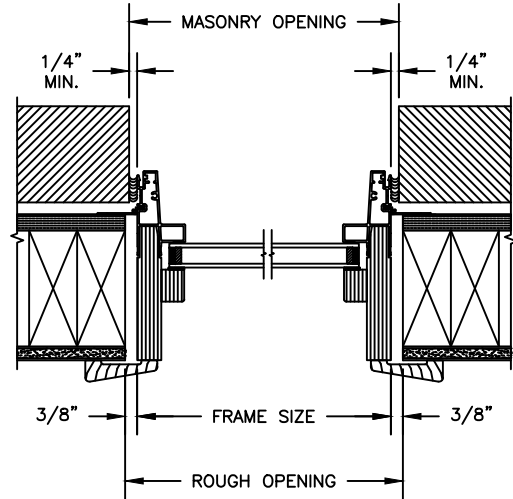
## CLAD RADIUS

SECTION DETAILS : CONSTRUCTION

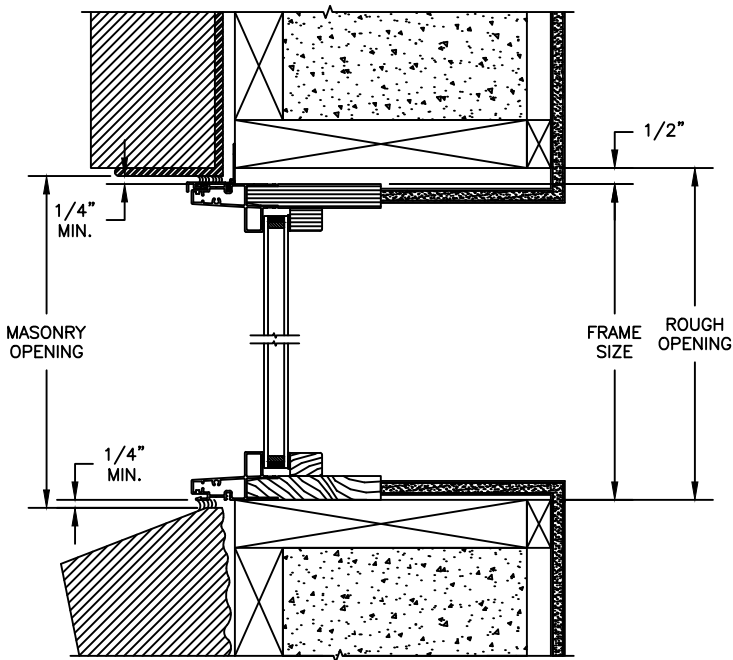
SCALE: 2" = 1'-0"



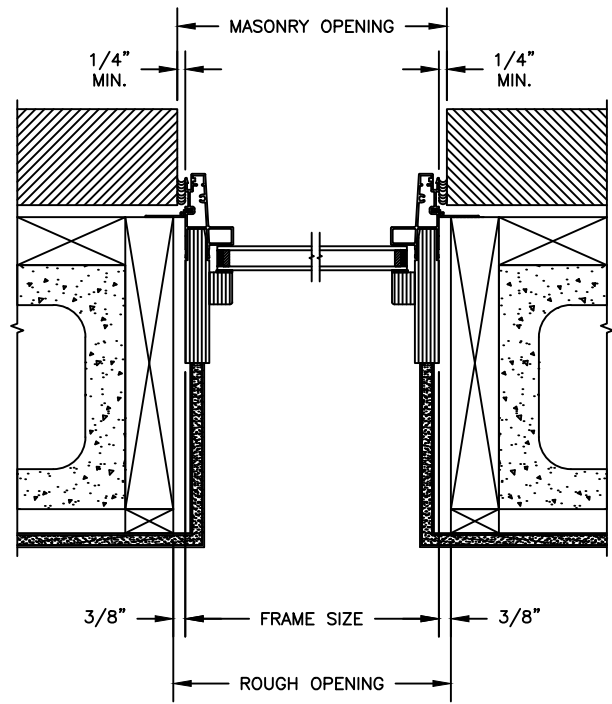
HEAD JAMB & SILL  
2 X 4 FRAME WITH BRICK VENEER



JAMBS  
2 X 4 FRAME WITH BRICK VENEER



HEAD JAMB & SILL  
8" CONCRETE BLOCK WALL  
WITH BRICK VENEER



JAMBS  
8" CONCRETE BLOCK WALL  
WITH BRICK VENEER