

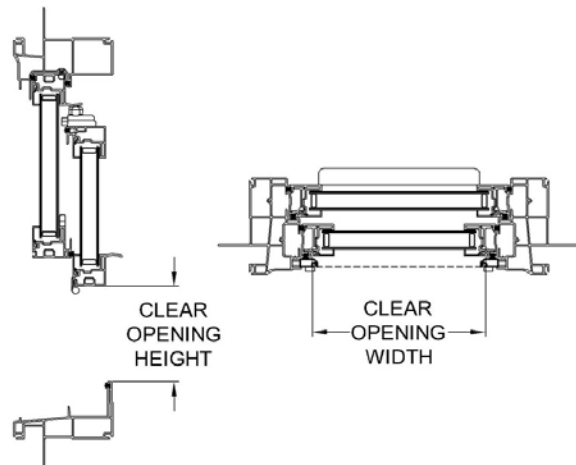
# Next Dimension Classic Series

## DOUBLE HUNG (Produced After 5/13/13)

### EGRESS, LITE & SCREEN MEASUREMENTS

Egress, Lite and Vent Measurements										
Double Hung										
Size	Egress Width	Egress Height	Sq. Ft. Egress	Egress Code Compliance*			Sq. Ft. Daylite	Screen Size		
				U.S.		Canada		Width	Height	
				5.0 ft <sup>2</sup>	5.7 ft <sup>2</sup>					
1830	12.456	8.691	0.75	-	-	-	1.78	13.188	26.281	
1836	12.456	11.691	1.01	-	-	-	2.25	13.188	32.281	
1842	12.456	14.691	1.27	-	-	-	2.72	13.188	38.281	
1848	12.456	17.691	1.53	-	-	-	3.19	13.188	44.281	
1854	12.456	20.691	1.79	-	-	-	3.66	13.188	50.281	
1860	12.456	23.691	2.05	-	-	-	4.12	13.188	56.281	
1862	12.456	24.691	2.14	-	-	-	4.28	13.188	58.281	
1866	12.456	26.691	2.31	-	-	-	4.59	13.188	62.281	
1867	12.456	27.191	2.35	-	-	-	4.67	13.188	63.281	
1872	12.456	29.691	2.57	-	-	-	5.06	13.188	68.281	
1878	12.456	32.691	2.83	-	-	-	5.53	13.188	74.281	
1884	12.456	35.691	3.09	-	-	-	5.99	13.188	80.281	
2430	18.456	8.691	1.11	-	-	-	2.74	19.188	26.281	
2436	18.456	11.691	1.50	-	-	-	3.45	19.188	32.281	
2442	18.456	14.691	1.88	-	-	-	4.17	19.188	38.281	
2448	18.456	17.691	2.27	-	-	-	4.89	19.188	44.281	
2454	18.456	20.691	2.65	-	-	-	5.61	19.188	50.281	
2460	18.456	23.691	3.04	-	-	-	6.33	19.188	56.281	
2462	18.456	24.691	3.16	-	-	-	6.56	19.188	58.281	
2466	18.456	26.691	3.42	-	-	-	7.04	19.188	62.281	
2467	18.456	27.191	3.48	-	-	-	7.16	19.188	63.281	
2472	18.456	29.691	3.81	-	-	Y	7.76	19.188	68.281	
2478	18.456	32.691	4.19	-	-	Y	8.48	19.188	74.281	
2484	18.456	35.691	4.57	-	-	Y	9.20	19.188	80.281	
3030	24.456	8.691	1.48	-	-	-	3.69	25.188	26.281	
3036	24.456	11.691	1.99	-	-	-	4.66	25.188	32.281	
3042	24.456	14.691	2.50	-	-	-	5.62	25.188	38.281	
3048	24.456	17.691	3.00	-	-	-	6.59	25.188	44.281	
3054	24.456	20.691	3.51	-	-	-	7.56	25.188	50.281	
3060	24.456	23.691	4.02	-	-	Y	8.53	25.188	56.281	
3062	24.456	24.691	4.19	-	-	Y	8.85	25.188	58.281	
3066	24.456	26.691	4.53	-	-	Y	9.50	25.188	62.281	
3067	24.456	27.191	4.62	-	-	Y	9.66	25.188	63.281	
3072	24.456	29.691	5.04	Y	-	Y	10.46	25.188	68.281	
3078	24.456	32.691	5.55	Y	-	Y	11.43	25.188	74.281	
3084	24.456	35.691	6.06	Y	Y	Y	12.40	25.188	80.281	
3230	26.456	8.691	1.60	-	-	-	4.01	27.188	26.281	
3236	26.456	11.691	2.15	-	-	-	5.06	27.188	32.281	
3242	26.456	14.691	2.70	-	-	-	6.11	27.188	38.281	
3248	26.456	17.691	3.25	-	-	-	7.16	27.188	44.281	
3254	26.456	20.691	3.80	-	-	Y	8.21	27.188	50.281	
3260	26.456	23.691	4.35	-	-	Y	9.26	27.188	56.281	
3262	26.456	24.691	4.54	-	-	Y	9.61	27.188	58.281	
3266	26.456	26.691	4.90	-	-	Y	10.31	27.188	62.281	
3267	26.456	27.191	5.00	-	-	Y	10.49	27.188	63.281	
3272	26.456	29.691	5.45	Y	-	Y	11.36	27.188	68.281	
3278	26.456	32.691	6.01	Y	Y	Y	12.42	27.188	74.281	
3284	26.456	35.691	6.56	Y	Y	Y	13.47	27.188	80.281	
3630	30.456	8.691	1.84	-	-	-	4.64	31.188	26.281	
3636	30.456	11.691	2.47	-	-	-	5.86	31.188	32.281	
3642	30.456	14.691	3.11	-	-	-	7.08	31.188	38.281	
3648	30.456	17.691	3.74	-	-	-	8.29	31.188	44.281	
3654	30.456	20.691	4.38	-	-	Y	9.51	31.188	50.281	
3660	30.456	23.691	5.01	-	-	Y	10.73	31.188	56.281	
3662	30.456	24.691	5.22	Y	-	Y	11.14	31.188	58.281	
3666	30.456	26.691	5.65	Y	-	Y	11.95	31.188	62.281	
3667	30.456	27.191	5.75	Y	Y	Y	12.15	31.188	63.281	
3672	30.456	29.691	6.28	Y	Y	Y	13.17	31.188	68.281	
3678	30.456	32.691	6.91	Y	Y	Y	14.38	31.188	74.281	
3684	30.456	35.691	7.55	Y	Y	Y	15.60	31.188	80.281	

Egress, Lite and Vent Measurements										
Double Hung										
Size	Egress Width	Egress Height	Sq. Ft. Egress	Egress Code Compliance*			Sq. Ft. Daylite	Screen Size		
				U.S.		Canada		Width	Height	
				5.0 ft <sup>2</sup>	5.7 ft <sup>2</sup>					
4030	34.456	8.691	2.08	-	-	-	5.28	35.188	26.281	
4036	34.456	11.691	2.80	-	-	-	6.66	35.188	32.281	
4042	34.456	14.691	3.52	-	-	-	8.04	35.188	38.281	
4048	34.456	17.691	4.23	-	-	Y	9.43	35.188	44.281	
4054	34.456	20.691	4.95	-	-	Y	10.81	35.188	50.281	
4060	34.456	23.691	5.67	-	-	Y	12.20	35.188	56.281	
4062	34.456	24.691	5.91	Y	Y	Y	12.66	35.188	58.281	
4066	34.456	26.691	6.39	Y	Y	Y	13.58	35.188	62.281	
4067	34.456	27.191	6.51	Y	Y	Y	13.81	35.188	63.281	
4072	34.456	29.691	7.10	Y	Y	Y	14.97	35.188	68.281	
4078	34.456	32.691	7.82	Y	Y	Y	16.35	35.188	74.281	
4084	34.456	35.691	8.54	-	Y	Y	17.74	35.188	80.281	
4230	36.456	8.691	2.20	-	-	-	5.59	37.188	26.281	
4236	36.456	11.691	2.96	-	-	-	7.06	37.188	32.281	
4242	36.456	14.691	3.72	-	-	-	8.53	37.188	38.281	
4248	36.456	17.691	4.48	-	-	Y	10.00	37.188	44.281	
4254	36.456	20.691	5.24	-	-	Y	11.46	37.188	50.281	
4260	36.456	23.691	6.00	-	-	Y	12.93	37.188	56.281	
4262	36.456	24.691	6.25	Y	Y	Y	13.42	37.188	58.281	
4266	36.456	26.691	6.76	Y	Y	Y	14.40	37.188	62.281	
4267	36.456	27.191	6.88	Y	Y	Y	14.64	37.188	63.281	
4272	36.456	29.691	7.52	Y	Y	Y	15.87	37.188	68.281	
4278	36.456	32.691	8.28	Y	Y	Y	17.34	37.188	74.281	
4284	36.456	35.691	9.04	-	Y	Y	18.80	37.188	80.281	
4830	42.456	8.691	2.56	-	-	-	6.55	43.188	26.281	
4836	42.456	11.691	3.45	-	-	-	8.26	43.188	32.281	
4842	42.456	14.691	4.33	-	-	-	9.98	43.188	38.281	
4848	42.456	17.691	5.22	-	-	Y	11.70	43.188	44.281	
4854	42.456	20.691	6.10	-	-	Y	13.42	43.188	50.281	
4860	42.456	23.691	6.98	-	-	Y	15.13	43.188	56.281	
4862	42.456	24.691	7.28	Y	Y	Y	15.71	43.188	58.281	
4866	42.456	26.691	7.87	Y	Y	Y	16.85	43.188	62.281	
4867	42.456	27.191	8.02	Y	Y	Y	17.14	43.188	63.281	
4872	42.456	29.691	8.75	Y	Y	Y	18.57	43.188	68.281	
4878	42.456	32.691	9.64	Y	Y	Y	20.29	43.188	74.281	
4884	42.456	35.691	10.52	-	Y	Y	22.00	43.188	80.281	



Code Requirements	Min Width	Min Height	Min Area (sq.ft.)
U.S.	20"	24"	5.7
U.S. Grade Floor	20"	24"	5.0
Canada	15"	15"	3.77

#### \* Egress Code Compliance Terminology

- Y Meets Code
- Does Not Meet Code

Egress Conversions	
Width	R.O. - 5.544"
Height	R.O. / 2 - 6.309

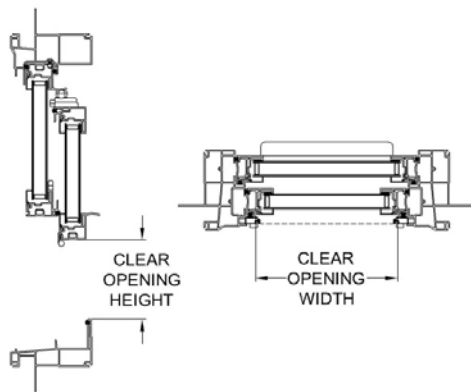
# Next Dimension Classic Series

## DOUBLE HUNG (Produced After 5/13/13)

### EGRESS, LITE & SCREEN MEASUREMENTS

Egress, Lite and Vent Measurements									
Double Hung Cottage									
Size	Egress Width	Egress Height	Sq. Ft. Egress	Egress Code Compliance*			Sq. Ft. Daylite	Screen Size	
				U.S.		Canada		Width	Height
				5.0 ft <sup>2</sup>	5.7 ft <sup>2</sup>				
Cottage									
2460	18.456	17.691	2.27	-	-	-	6.28	19.188	56.281
2462	18.456	18.691	2.40	-	-	-	6.52	19.188	58.281
2466	18.456	20.691	2.65	-	-	-	7.00	19.188	62.281
2467	18.456	21.191	2.72	-	-	-	7.12	19.188	63.281
2472	18.456	23.691	3.04	-	-	-	7.71	19.188	68.281
3060	24.456	17.691	3.00	-	-	-	8.48	25.188	56.281
3062	24.456	18.691	3.17	-	-	-	8.80	25.188	58.281
3066	24.456	20.691	3.51	-	-	-	9.45	25.188	62.281
3067	24.456	21.191	3.60	-	-	-	9.61	25.188	63.281
3072	24.456	23.691	4.02	-	-	Y	10.42	25.188	68.281
3260	26.456	17.691	3.25	-	-	-	9.21	27.188	56.281
3262	26.456	18.691	3.43	-	-	-	9.56	27.188	58.281
3266	26.456	20.691	3.80	-	-	Y	10.27	27.188	62.281
3267	26.456	21.191	3.89	-	-	Y	10.44	27.188	63.281
3272	26.456	23.691	4.35	-	-	Y	11.32	27.188	68.281
3660	30.456	17.691	3.74	-	-	-	10.68	31.188	56.281
3662	30.456	18.691	3.95	-	-	Y	11.09	31.188	58.281
3666	30.456	20.691	4.38	-	-	Y	11.90	31.188	62.281
3667	30.456	21.191	4.48	-	-	Y	12.10	31.188	63.281
3672	30.456	23.691	5.01	-	-	Y	13.12	31.188	68.281
4060	34.456	17.691	4.23	-	-	Y	12.15	35.188	56.281
4062	34.456	18.691	4.47	-	-	Y	12.61	35.188	58.281
4066	34.456	20.691	4.95	-	-	Y	13.54	35.188	62.281
4067	34.456	21.191	5.07	-	-	Y	13.77	35.188	63.281
4072	34.456	23.691	5.67	-	-	Y	14.92	35.188	68.281
4260	36.456	17.691	4.48	-	-	Y	12.88	37.188	56.281
4262	36.456	18.691	4.73	-	-	Y	13.37	37.188	58.281
4266	36.456	20.691	5.24	-	-	Y	14.35	37.188	62.281
4267	36.456	21.191	5.36	-	-	Y	14.60	37.188	63.281
4272	36.456	23.691	6.00	-	-	Y	15.82	37.188	68.281
4860	42.456	17.691	5.22	-	-	Y	15.09	43.188	56.281
4862	42.456	18.691	5.51	-	-	Y	15.66	43.188	58.281
4866	42.456	20.691	6.10	-	-	Y	16.80	43.188	62.281
4867	42.456	21.191	6.25	-	-	Y	17.09	43.188	63.281
4872	42.456	23.691	6.98	-	-	Y	18.52	43.188	68.281

Egress, Lite and Vent Measurements									
Double Hung Oriel									
Size	Egress Width	Egress Height	Sq. Ft. Egress	Egress Code Compliance*			Sq. Ft. Daylite	Screen Size	
				U.S.		Canada		Width	Height
				5.0 ft <sup>2</sup>	5.7 ft <sup>2</sup>				
Oriel									
2460	18.456	18.191	2.33	-	-	-	6.28	19.188	56.281
2462	18.456	19.191	2.46	-	-	-	6.52	19.188	58.281
2466	18.456	21.191	2.72	-	-	-	7.00	19.188	62.281
2467	18.456	21.691	2.78	-	-	-	7.12	19.188	63.281
2472	18.456	24.191	3.10	-	-	-	7.71	19.188	68.281
3060	24.456	18.191	3.09	-	-	-	8.48	25.188	56.281
3062	24.456	19.191	3.26	-	-	-	8.80	25.188	58.281
3066	24.456	21.191	3.60	-	-	-	9.45	25.188	62.281
3067	24.456	21.691	3.68	-	-	-	9.61	25.188	63.281
3072	24.456	24.191	4.11	-	-	Y	10.42	25.188	68.281
3260	26.456	18.191	3.34	-	-	-	9.21	27.188	56.281
3262	26.456	19.191	3.53	-	-	-	9.56	27.188	58.281
3266	26.456	21.191	3.89	-	-	Y	10.27	27.188	62.281
3267	26.456	21.691	3.99	-	-	Y	10.44	27.188	63.281
3272	26.456	24.191	4.44	-	-	Y	11.32	27.188	68.281
3660	30.456	18.191	3.85	-	-	Y	10.68	31.188	56.281
3662	30.456	19.191	4.06	-	-	Y	11.09	31.188	58.281
3666	30.456	21.191	4.48	-	-	Y	11.90	31.188	62.281
3667	30.456	21.691	4.59	-	-	Y	12.10	31.188	63.281
3672	30.456	24.191	5.12	Y	-	Y	13.12	31.188	68.281
4060	34.456	18.191	4.35	-	-	Y	12.15	35.188	56.281
4062	34.456	19.191	4.59	-	-	Y	12.61	35.188	58.281
4066	34.456	21.191	5.07	-	-	Y	13.54	35.188	62.281
4067	34.456	21.691	5.19	-	-	Y	13.77	35.188	63.281
4072	34.456	24.191	5.79	Y	Y	Y	14.92	35.188	68.281
4260	36.456	18.191	4.61	-	-	Y	12.88	37.188	56.281
4262	36.456	19.191	4.86	-	-	Y	13.37	37.188	58.281
4266	36.456	21.191	5.36	-	-	Y	14.35	37.188	62.281
4267	36.456	21.691	5.49	-	-	Y	14.60	37.188	63.281
4272	36.456	24.191	6.12	Y	Y	Y	15.82	37.188	68.281
4860	42.456	18.191	5.36	-	-	Y	15.09	43.188	56.281
4862	42.456	19.191	5.66	-	-	Y	15.66	43.188	58.281
4866	42.456	21.191	6.25	-	-	Y	16.80	43.188	62.281
4867	42.456	21.691	6.40	-	-	Y	17.09	43.188	63.281
4872	42.456	24.191	7.13	Y	Y	Y	18.52	43.188	68.281



Egress Conversions - Cottage	
Width	R.O. - 5.544"
Height	R.O. / 2 - 12.309

Egress Conversions - Oriel	
Width	R.O. - 5.544"
Height	R.O. / 2 - 11.809

**\* Egress Code Compliance Terminology**

- Y Meets Code
- Does Not Meet Code

Code Requirements	Min Width	Min Height	Min Area (sq.ft.)
U.S.	20"	24"	5.7
U.S. Grade Floor	20"	24"	5.0
Canada	15"	15"	3.77

# Next Dimension Classic Series

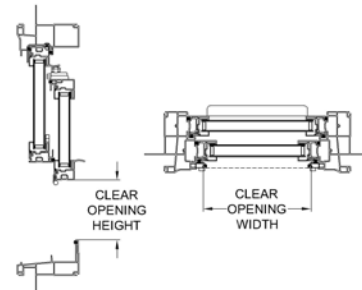
## DOUBLE HUNG (Produced before 5/13/13)

### EGRESS, LITE & SCREEN MEASUREMENTS

Egress, Lite and Vent Measurements									
Double Hung									
Size	Egress Width	Egress Height	Sq. Ft. Egress	Egress Code Compliance*			Sq. Ft. Daylite	Screen Size	
				U.S.		Canada		Width	Height
				5.0 ft <sup>2</sup>	5.7 ft <sup>2</sup>				
1830	12.456	9.809	0.85	-	-	-	2.09	13.188	26.281
1836	12.456	12.809	1.11	-	-	-	2.60	13.188	32.281
1842	12.456	15.809	1.37	-	-	-	3.10	13.188	38.281
1848	12.456	18.809	1.63	-	-	-	3.61	13.188	44.281
1854	12.456	21.809	1.89	-	-	-	4.12	13.188	50.281
1860	12.456	24.809	2.15	-	-	-	4.63	13.188	56.281
1862	12.456	25.809	2.23	-	-	-	4.80	13.188	58.281
1866	12.456	27.809	2.41	-	-	-	5.13	13.188	62.281
1872	12.456	30.809	2.66	-	-	-	5.64	13.188	68.281
1878	12.456	33.809	2.92	-	-	-	6.15	13.188	74.281
1884	12.456	36.809	3.18	-	-	-	6.66	13.188	80.281
2430	18.456	9.809	1.26	-	-	-	3.12	19.188	26.281
2436	18.456	12.809	1.64	-	-	-	3.88	19.188	32.281
2442	18.456	15.809	2.03	-	-	-	4.64	19.188	38.281
2448	18.456	18.809	2.41	-	-	-	5.39	19.188	44.281
2454	18.456	21.809	2.80	-	-	-	6.15	19.188	50.281
2460	18.456	24.809	3.18	-	-	-	6.91	19.188	56.281
2462	18.456	25.809	3.31	-	-	-	7.16	19.188	58.281
2466	18.456	27.809	3.56	-	-	-	7.67	19.188	62.281
2472	18.456	30.809	3.95	-	-	-	8.42	19.188	68.281
2478	18.456	33.809	4.33	-	-	-	9.18	19.188	74.281
2484	18.456	36.809	4.72	-	-	-	9.94	19.188	80.281
3030	24.456	9.809	1.67	-	-	-	4.15	25.188	26.281
3036	24.456	12.809	2.18	-	-	-	5.16	25.188	32.281
3042	24.456	15.809	2.68	-	-	-	6.17	25.188	38.281
3048	24.456	18.809	3.19	-	-	-	7.18	25.188	44.281
3054	24.456	21.809	3.70	-	-	-	8.18	25.188	50.281
3060	24.456	24.809	4.21	-	-	Y	9.19	25.188	56.281
3062	24.456	25.809	4.38	-	-	Y	9.53	25.188	58.281
3066	24.456	27.809	4.72	-	-	Y	10.20	25.188	62.281
3072	24.456	30.809	5.23	Y	-	Y	11.20	25.188	68.281
3078	24.456	33.809	5.74	Y	-	Y	12.21	25.188	74.281
3084	24.456	36.809	6.25	Y	Y	Y	13.22	25.188	80.281
3230	26.456	9.809	1.80	-	-	-	4.50	27.188	26.281
3236	26.456	12.809	2.35	-	-	-	5.59	27.188	32.281
3242	26.456	15.809	2.90	-	-	-	6.68	27.188	38.281
3248	26.456	18.809	3.46	-	-	-	7.77	27.188	44.281
3254	26.456	21.809	4.01	-	-	Y	8.86	27.188	50.281
3260	26.456	24.809	4.56	-	-	Y	9.95	27.188	56.281
3262	26.456	25.809	4.74	-	-	Y	10.31	27.188	58.281
3266	26.456	27.809	5.11	Y	-	Y	11.04	27.188	62.281
3272	26.456	30.809	5.66	Y	-	Y	12.13	27.188	68.281
3278	26.456	33.809	6.21	Y	Y	Y	13.22	27.188	74.281
3284	26.456	36.809	6.76	Y	Y	Y	14.31	27.188	80.281
3630	30.456	9.809	2.07	-	-	-	5.18	31.188	26.281
3636	30.456	12.809	2.71	-	-	-	6.44	31.188	32.281
3642	30.456	15.809	3.34	-	-	-	7.70	31.188	38.281
3648	30.456	18.809	3.98	-	-	-	8.96	31.188	44.281
3654	30.456	21.809	4.61	-	-	Y	10.21	31.188	50.281
3660	30.456	24.809	5.25	Y	-	Y	11.47	31.188	56.281
3662	30.456	25.809	5.46	Y	-	Y	11.89	31.188	58.281
3666	30.456	27.809	5.88	Y	Y	Y	12.73	31.188	62.281
3672	30.456	30.809	6.52	Y	Y	Y	13.99	31.188	68.281
3678	30.456	33.809	7.15	Y	Y	Y	15.24	31.188	74.281
3684	30.456	36.809	7.79	Y	Y	Y	16.50	31.188	80.281

\* Egress Code Compliance Terminology  
 Y Meets Code  
 - Does Not Meet Code

Egress, Lite and Vent Measurements									
Double Hung									
Size	Egress Width	Egress Height	Sq. Ft. Egress	Egress Code Compliance*			Sq. Ft. Daylite	Screen Size	
				U.S.		Canada		Width	Height
				5.0 ft <sup>2</sup>	5.7 ft <sup>2</sup>				
4030	34.456	9.809	2.35	-	-	-	5.87	35.188	26.281
4036	34.456	12.809	3.06	-	-	-	7.30	35.188	32.281
4042	34.456	15.809	3.78	-	-	Y	8.72	35.188	38.281
4048	34.456	18.809	4.50	-	-	Y	10.14	35.188	44.281
4054	34.456	21.809	5.22	Y	-	Y	11.57	35.188	50.281
4060	34.456	24.809	5.94	Y	Y	Y	12.99	35.188	56.281
4062	34.456	25.809	6.18	Y	Y	Y	13.47	35.188	58.281
4066	34.456	27.809	6.65	Y	Y	Y	14.42	35.188	62.281
4072	34.456	30.809	7.37	Y	Y	Y	15.84	35.188	68.281
4078	34.456	33.809	8.09	Y	Y	Y	17.26	35.188	74.281
4084	34.456	36.809	8.81	Y	Y	Y	18.69	35.188	80.281
4230	36.456	9.809	2.48	-	-	-	6.22	37.188	26.281
4236	36.456	12.809	3.24	-	-	-	7.72	37.188	32.281
4242	36.456	15.809	4.00	-	-	Y	9.23	37.188	38.281
4248	36.456	18.809	4.76	-	-	Y	10.74	37.188	44.281
4254	36.456	21.809	5.52	Y	-	Y	12.25	37.188	50.281
4260	36.456	24.809	6.28	Y	Y	Y	13.75	37.188	56.281
4262	36.456	25.809	6.53	Y	Y	Y	14.26	37.188	58.281
4266	36.456	27.809	7.04	Y	Y	Y	15.26	37.188	62.281
4272	36.456	30.809	7.80	Y	Y	Y	16.77	37.188	68.281
4278	36.456	33.809	8.56	Y	Y	Y	18.27	37.188	74.281
4284	36.456	36.809	9.32	Y	Y	Y	19.78	37.188	80.281
4830	42.456	9.809	2.89	-	-	-	7.25	43.188	26.281
4836	42.456	12.809	3.78	-	-	Y	9.00	43.188	32.281
4842	42.456	15.809	4.66	-	-	Y	10.76	43.188	38.281
4848	42.456	18.809	5.55	Y	-	Y	12.52	43.188	44.281
4854	42.456	21.809	6.43	Y	Y	Y	14.28	43.188	50.281
4860	42.456	24.809	7.31	Y	Y	Y	16.03	43.188	56.281
4862	42.456	25.809	7.61	Y	Y	Y	16.62	43.188	58.281
4866	42.456	27.809	8.20	Y	Y	Y	17.79	43.188	62.281
4872	42.456	30.809	9.08	Y	Y	Y	19.55	43.188	68.281
4878	42.456	33.809	9.97	Y	Y	Y	21.31	43.188	74.281
4884	42.456	36.809	10.85	Y	Y	Y	23.06	43.188	80.281



Egress Conversions			
Width	R.O. - 5.544"		
Height	R.O. / 2 - 5.191"		
Code Requirements	Min Width	Min Height	Min Area (sq.ft.)
U.S.	20"	24"	5.7
U.S. Grade Floor	20"	24"	5.0
Canada	15"	15"	3.77

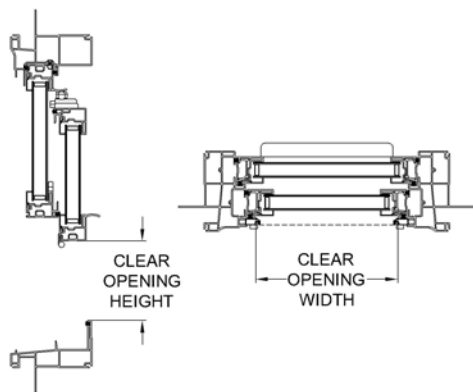
# Next Dimension Classic Series

## DOUBLE HUNG

### EGRESS, LITE & SCREEN MEASUREMENTS

Egress, Lite and Vent Measurements									
Double Hung Cottage									
Size	Egress Width	Egress Height	Sq. Ft. Egress	Egress Code Compliance*			Sq. Ft. Daylite	Screen Size	
				U.S.		Canada		Width	Height
				5.0 ft <sup>2</sup>	5.7 ft <sup>2</sup>				
Cottage									
2460	18.456	18.809	2.41	-	-	-	6.91	19.188	56.281
2462	18.456	19.809	2.54	-	-	-	7.16	19.188	58.281
2466	18.456	21.809	2.80	-	-	-	7.67	19.188	62.281
2472	18.456	24.809	3.18	-	-	-	8.42	19.188	68.281
3060	24.456	18.809	3.19	-	-	-	9.19	25.188	56.281
3062	24.456	19.809	3.36	-	-	-	9.53	25.188	58.281
3066	24.456	21.809	3.70	-	-	-	10.20	25.188	62.281
3072	24.456	24.809	4.21	-	-	Y	11.20	25.188	68.281
3260	26.456	18.809	3.46	-	-	-	9.95	27.188	56.281
3262	26.456	19.809	3.64	-	-	-	10.31	27.188	58.281
3266	26.456	21.809	4.01	-	-	Y	11.04	27.188	62.281
3272	26.456	24.809	4.56	-	-	Y	12.13	27.188	68.281
3660	30.456	18.809	3.98	-	-	Y	11.47	31.188	56.281
3662	30.456	19.809	4.19	-	-	Y	11.89	31.188	58.281
3666	30.456	21.809	4.61	-	-	Y	12.73	31.188	62.281
3672	30.456	24.809	5.25	Y	-	Y	13.99	31.188	68.281
4060	34.456	18.809	4.50	-	-	Y	12.99	35.188	56.281
4062	34.456	19.809	4.74	-	-	Y	13.47	35.188	58.281
4066	34.456	21.809	5.22	-	-	Y	14.42	35.188	62.281
4072	34.456	24.809	5.94	Y	Y	Y	15.84	35.188	68.281
4260	36.456	18.809	4.76	-	-	Y	13.75	37.188	56.281
4262	36.456	19.809	5.01	-	-	Y	14.26	37.188	58.281
4266	36.456	21.809	5.52	-	-	Y	15.26	37.188	62.281
4272	36.456	24.809	6.28	Y	Y	Y	16.77	37.188	68.281
4860	42.456	18.809	5.55	-	-	Y	16.03	43.188	56.281
4862	42.456	19.809	5.84	-	-	Y	16.62	43.188	58.281
4866	42.456	21.809	6.43	-	-	Y	17.79	43.188	62.281
4872	42.456	24.809	7.31	Y	Y	Y	19.55	43.188	68.281

Egress, Lite and Vent Measurements									
Double Hung Oriel									
Size	Egress Width	Egress Height	Sq. Ft. Egress	Egress Code Compliance*			Sq. Ft. Daylite	Screen Size	
				U.S.		Canada		Width	Height
				5.0 ft <sup>2</sup>	5.7 ft <sup>2</sup>				
Oriel									
2460	18.456	18.809	2.41	-	-	-	6.91	19.188	56.281
2462	18.456	19.809	2.54	-	-	-	7.16	19.188	58.281
2466	18.456	21.809	2.80	-	-	-	7.67	19.188	62.281
2472	18.456	24.809	3.18	-	-	-	8.42	19.188	68.281
3060	24.456	18.809	3.19	-	-	-	9.19	25.188	56.281
3062	24.456	19.809	3.36	-	-	-	9.53	25.188	58.281
3066	24.456	21.809	3.70	-	-	-	10.20	25.188	62.281
3072	24.456	24.809	4.21	-	-	Y	11.20	25.188	68.281
3260	26.456	18.809	3.46	-	-	-	9.95	27.188	56.281
3262	26.456	19.809	3.64	-	-	-	10.31	27.188	58.281
3266	26.456	21.809	4.01	-	-	Y	11.04	27.188	62.281
3272	26.456	24.809	4.56	-	-	Y	12.13	27.188	68.281
3660	30.456	18.809	3.98	-	-	Y	11.47	31.188	56.281
3662	30.456	19.809	4.19	-	-	Y	11.89	31.188	58.281
3666	30.456	21.809	4.61	-	-	Y	12.73	31.188	62.281
3672	30.456	24.809	5.25	Y	-	Y	13.99	31.188	68.281
4060	34.456	18.809	4.50	-	-	Y	12.99	35.188	56.281
4062	34.456	19.809	4.74	-	-	Y	13.47	35.188	58.281
4066	34.456	21.809	5.22	-	-	Y	14.42	35.188	62.281
4072	34.456	24.809	5.94	Y	Y	Y	15.84	35.188	68.281
4260	36.456	18.809	4.76	-	-	Y	13.75	37.188	56.281
4262	36.456	19.809	5.01	-	-	Y	14.26	37.188	58.281
4266	36.456	21.809	5.52	-	-	Y	15.26	37.188	62.281
4272	36.456	24.809	6.28	Y	Y	Y	16.77	37.188	68.281
4860	42.456	18.809	5.55	-	-	Y	16.03	43.188	56.281
4862	42.456	19.809	5.84	-	-	Y	16.62	43.188	58.281
4866	42.456	21.809	6.43	-	-	Y	17.79	43.188	62.281
4872	42.456	24.809	7.31	Y	Y	Y	19.55	43.188	68.281



Egress Conversions - Cottage	
Width	R.O. - 5.544"
Height	R.O. / 2 - 11.191

Egress Conversions - Oriel	
Width	R.O. - 5.544"
Height	R.O. / 2 - 11.191

**\* Egress Code Compliance Terminology**

- Y Meets Code
- Does Not Meet Code

Code Requirements	Min Width	Min Height	Min Area (sq.ft.)
U.S.	20"	24"	5.7
U.S. Grade Floor	20"	24"	5.0
Canada	15"	15"	3.77