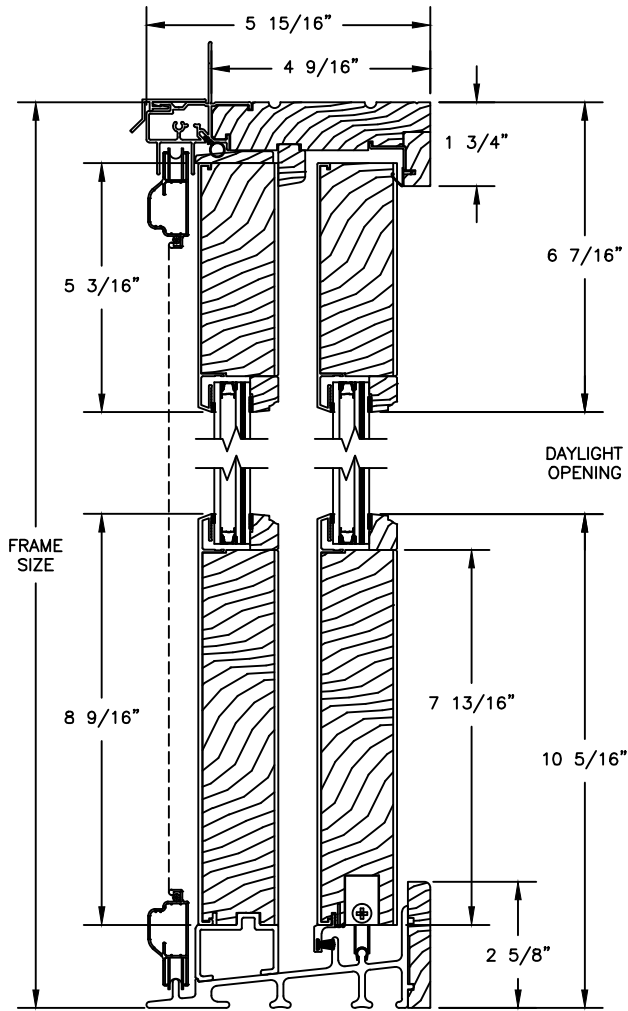


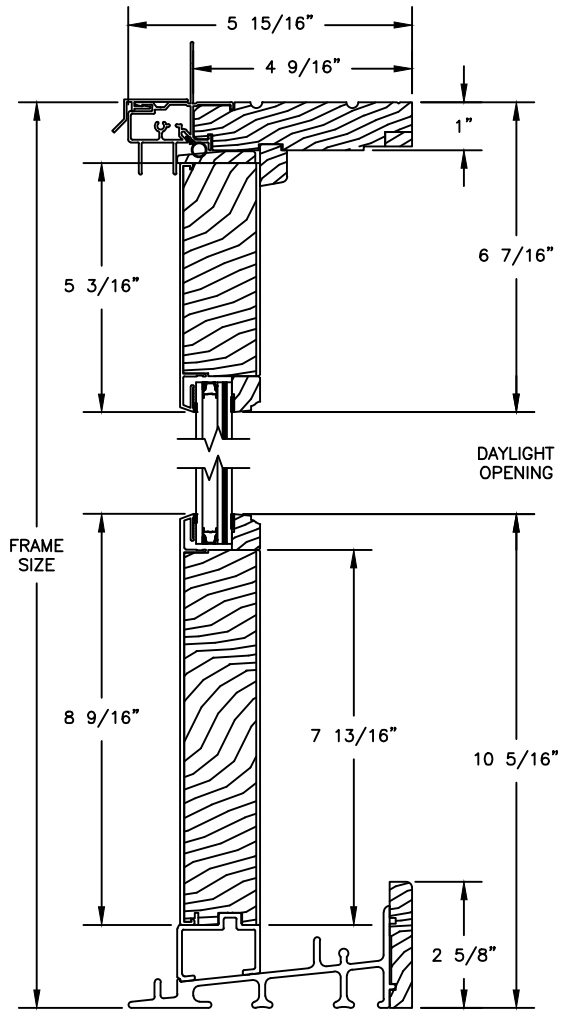
# Pinnacle Impact Series

## CLAD PATIO DOOR - FRENCH SLIDER

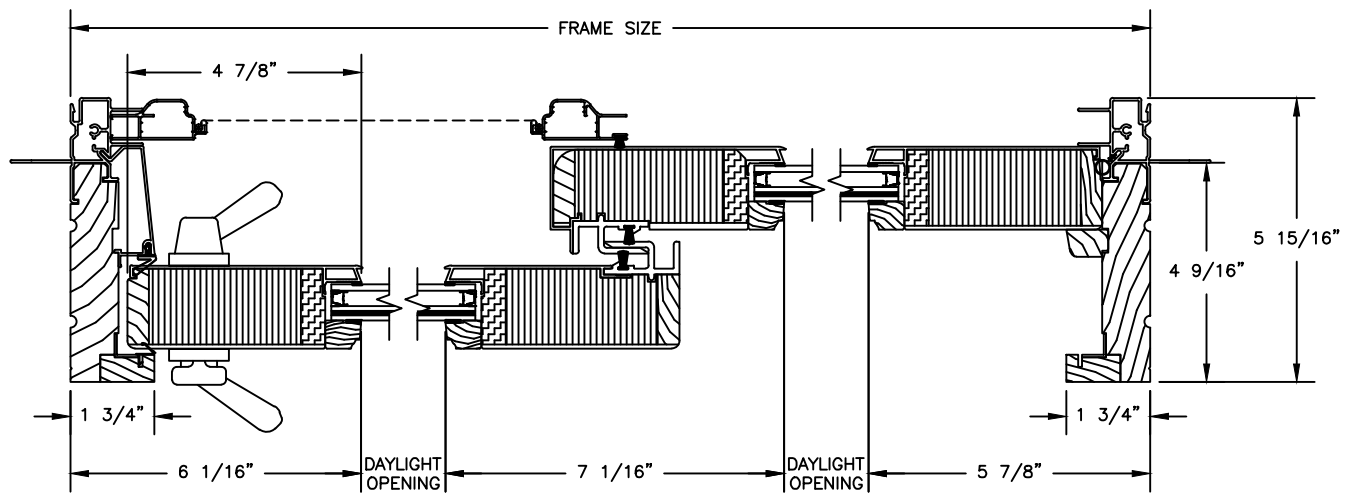
SECTION DETAILS  
 SCALE: 3" = 1'-0"



OPERATING HEAD JAMB & SILL



STATIONARY HEAD JAMB & SILL

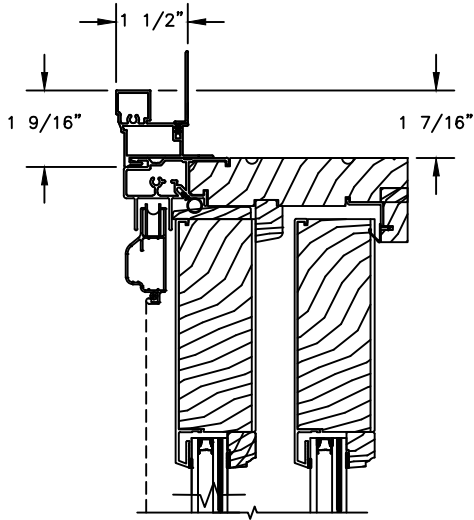


JAMBS

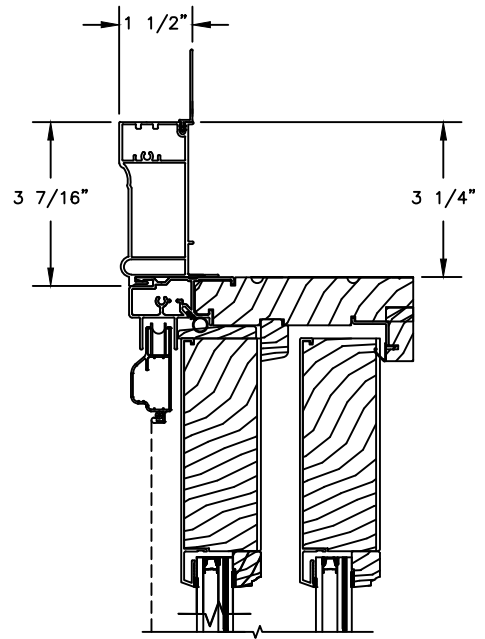
# Pinnacle Impact Series

## CLAD SLIDING PATIO DOOR

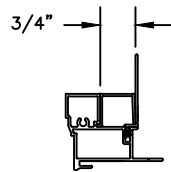
SECTION DETAILS : CASING OPTIONS  
SCALE: 3" = 1'-0"



HEAD JAMB & SILL WITH  
CLAD BRICKMOULD CASING



HEAD JAMB & SILL WITH  
CLAD WILLIAMSBURG CASING



CLAD BRICKMOULD CASING  
WITH OPTIONAL J-CHANNEL COVER

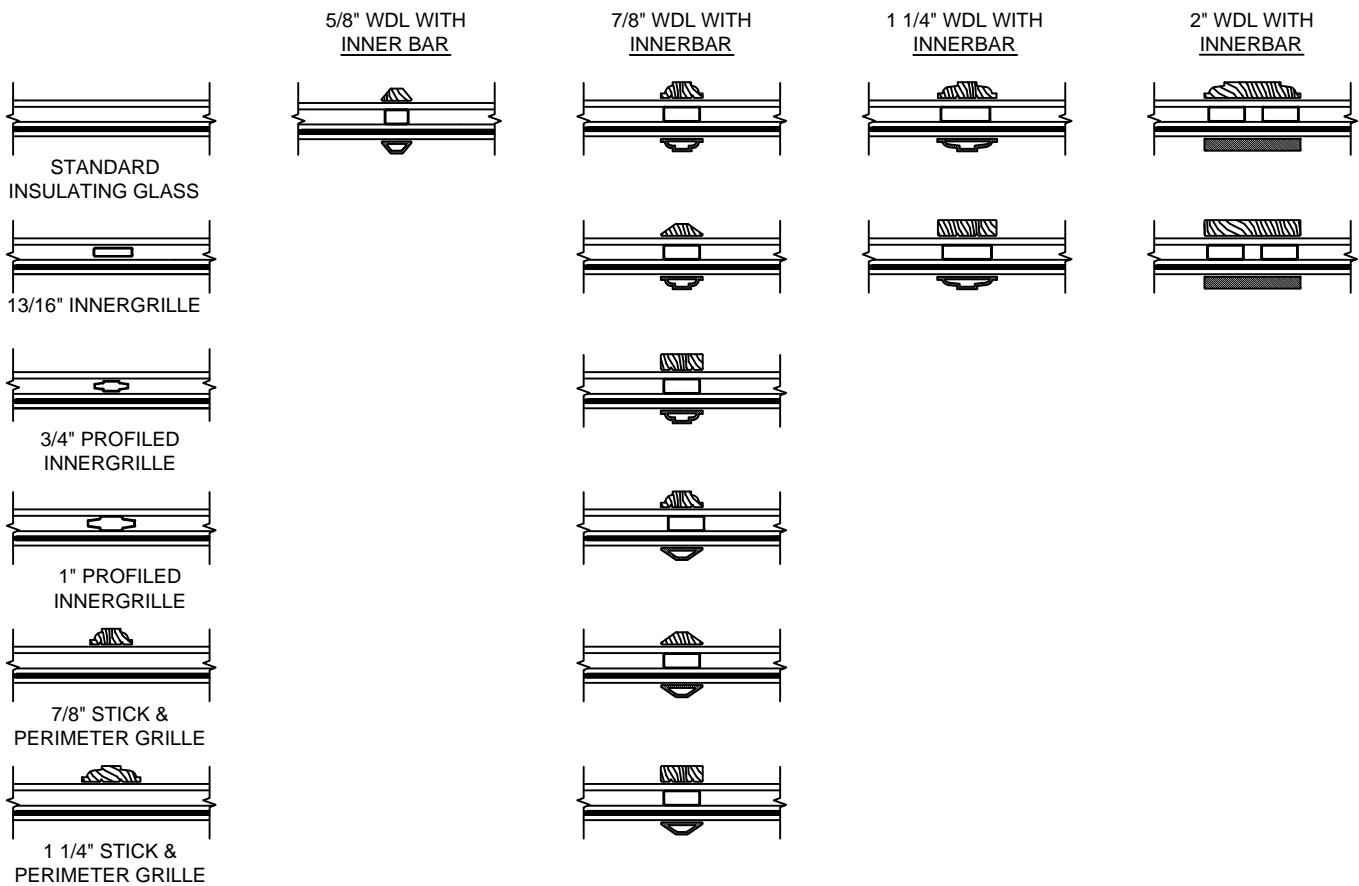
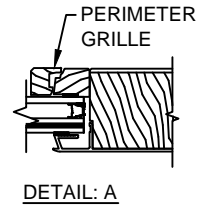
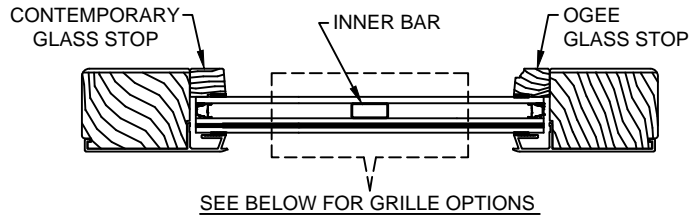
# Pinnacle Impact Series

## CLAD PATIO DOOR - FRENCH SLIDER

SECTION DETAILS : GLASS STOP & DIVIDED LITE OPTIONS  
 SCALE: 3" = 1'-0"

AVAILABLE STYLES

-  - PUTTY
-  - OGEE
-  - CONTEMPORARY

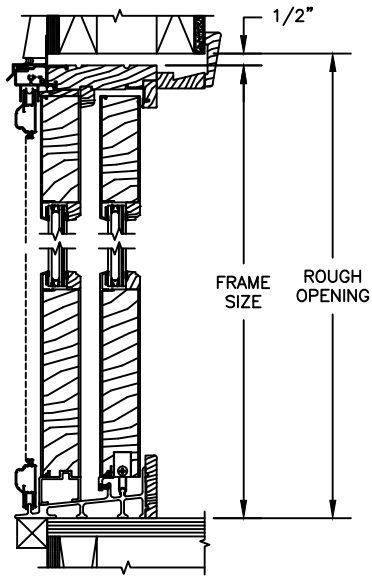


NOTE:  
 \* ALL WDL OPTIONS CAN BE ORDERED WITH OR WITHOUT INNER BAR  
 \* PERIMETER GRILLES ONLY AVAILABLE IN THE 7/8" AND 1 1/4" OGEE STYLE GLASS STOP (SEE DETAIL: A)

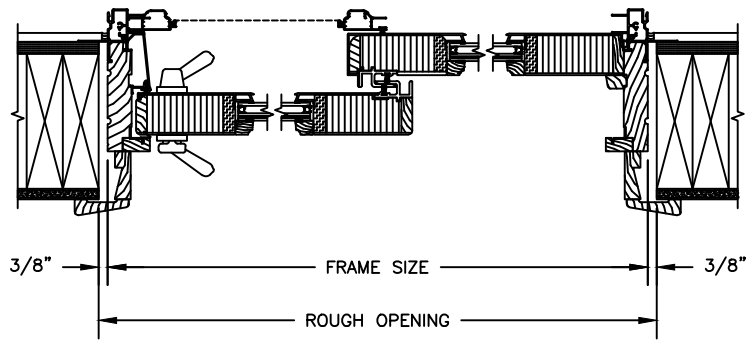
# Pinnacle Impact Series

## CLAD PATIO DOOR - FRENCH SLIDER

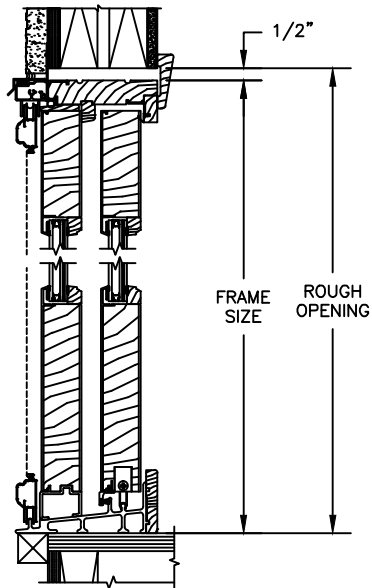
SECTION DETAILS : CONSTRUCTION  
 SCALE: 1 1/2" = 1'-0"



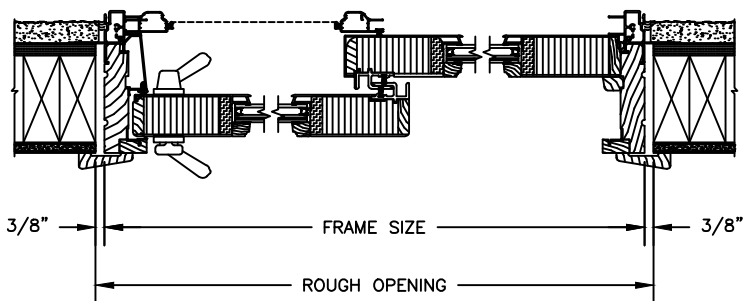
HEAD JAMB & SILL  
 2 X 6 FRAME WITH SIDING



JAMBS  
 2 X 6 FRAME WITH SIDING



HEAD JAMB & SILL  
 2 X 4 FRAME WITH STUCCO



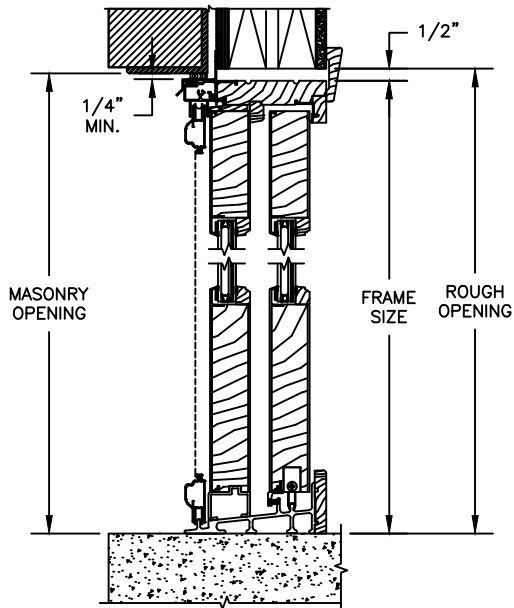
JAMBS  
 2 X 4 FRAME WITH STUCCO

# Pinnacle Impact Series

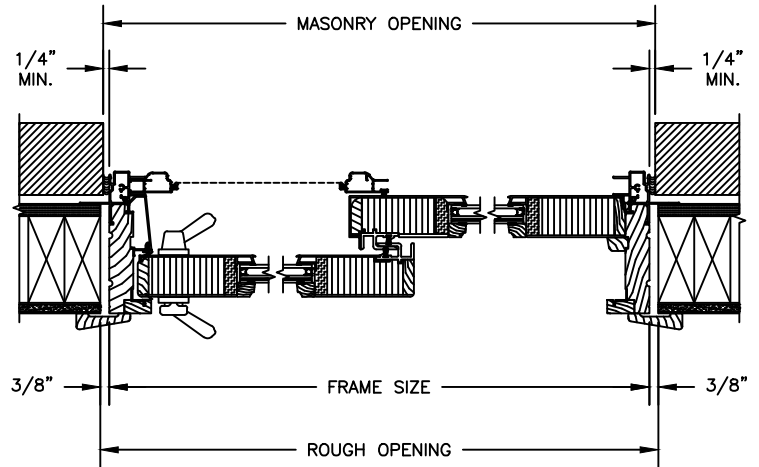
## CLAD PATIO DOOR - FRENCH SLIDER

SECTION DETAILS : CONSTRUCTION

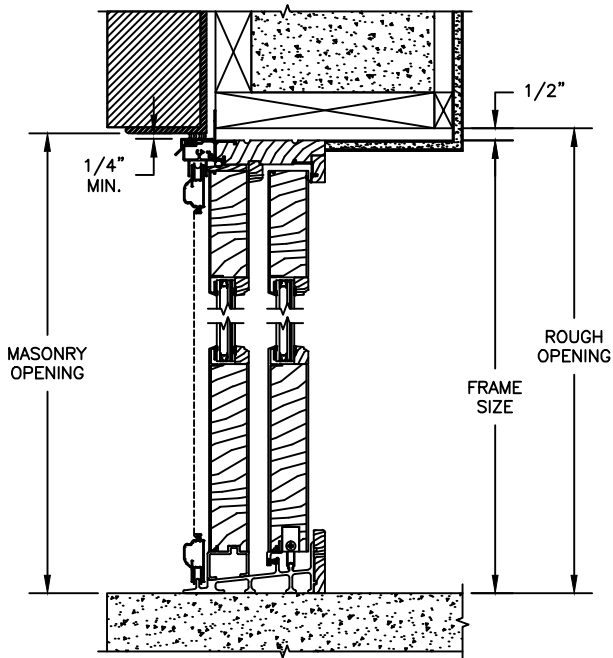
SCALE: 1 1/2" = 1'-0"



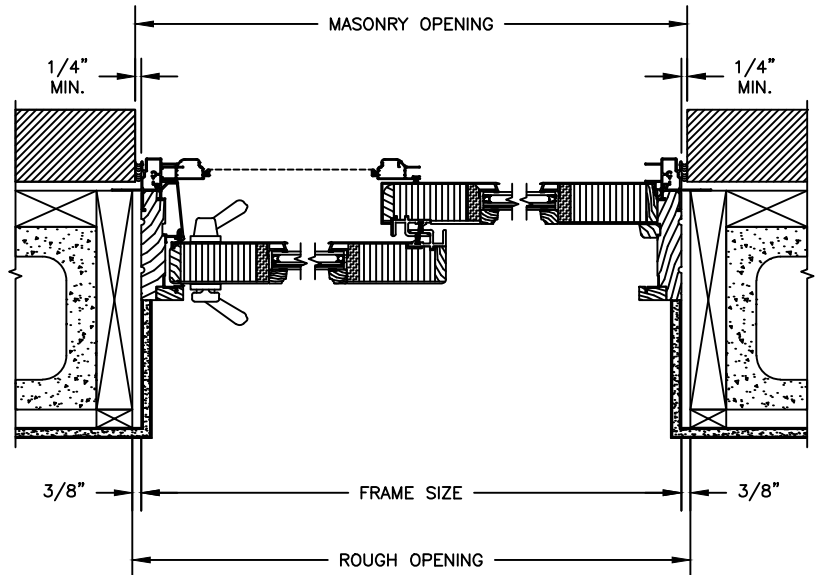
HEAD JAMB & SILL  
2 X 6 FRAME WITH BRICK VENEER



JAMBS  
2 X 6 FRAME WITH BRICK VENEER



HEAD JAMB & SILL  
8" CONCRETE BLOCK WALL  
WITH BRICK VENEER



JAMBS  
8" CONCRETE BLOCK WALL  
WITH BRICK VENEER