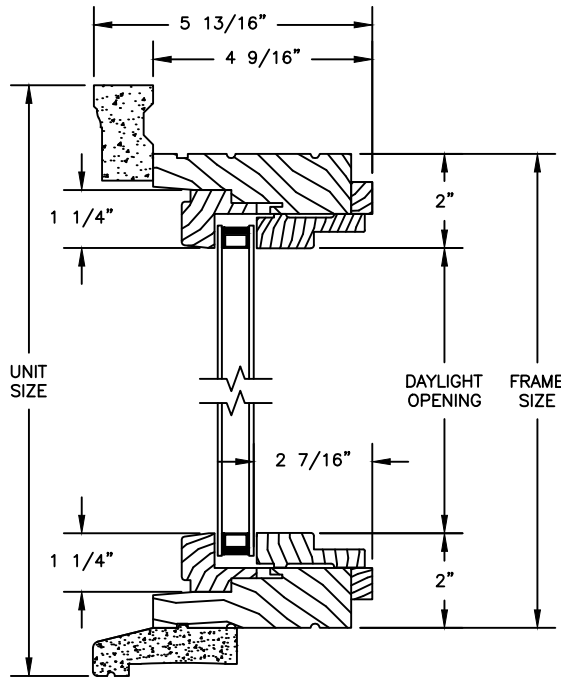


Pinnacle Series

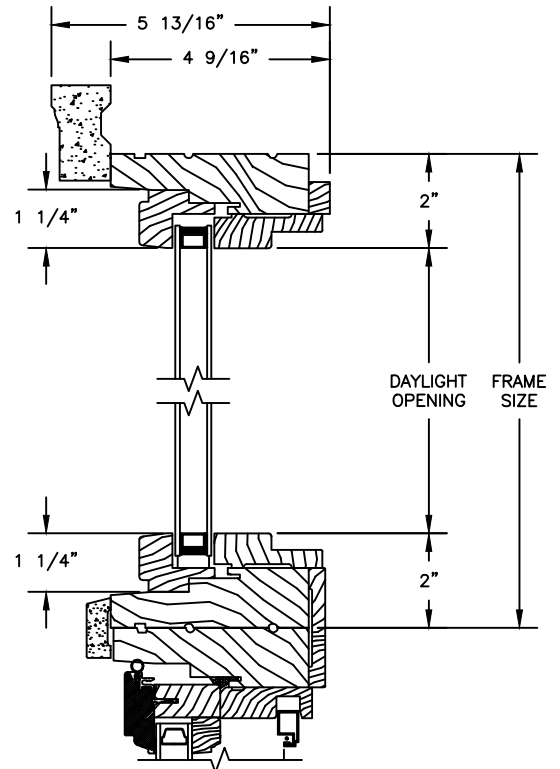
PRIMED DIRECT SET

SECTION DETAILS: DIRECT GLAZE

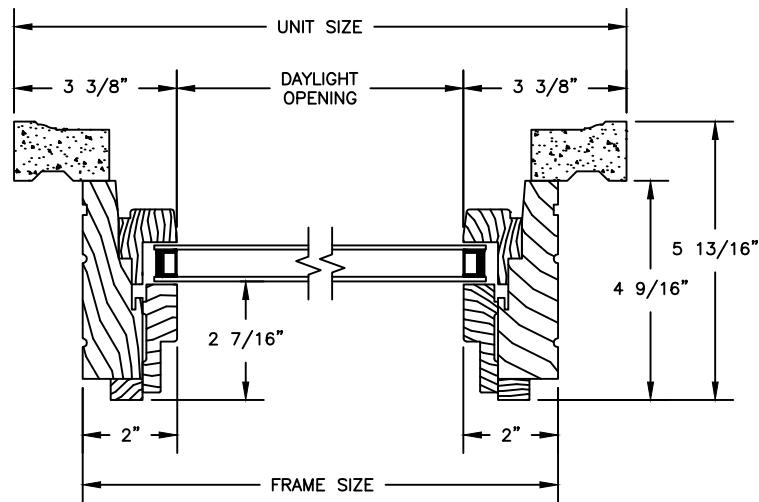
SCALE: 3" = 1'-0"



HEAD JAMB & SILL



TRANSOM
HEAD JAMB & SILL



JAMBS

NOTES:

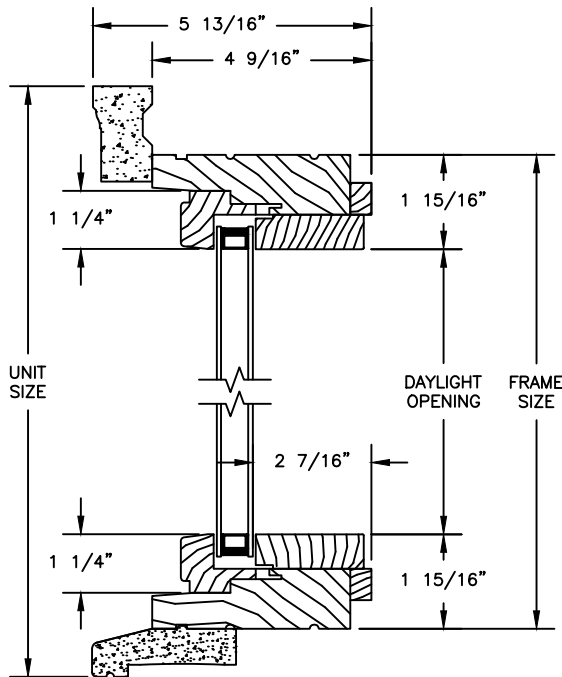
1. FOR RECTANGULAR UNITS, THE RELATIONSHIP BETWEEN GLASS SIZE, FRAME DIMENSION, ROUGH OPENING AND UNIT DIMENSION IS AS SHOWN ABOVE.
2. FOR TRAPEZOID & PENTIOD UNIT, THE RELATIONSHIP BETWEEN GLASS SIZE WIDTH, FRAME DIMENSION WIDTH, ROUGH OPENING WIDTH AND UNIT DIMENSION WIDTH IS AS SHOWN ABOVE.
3. ALL OTHER DIMENSIONAL RELATIONSHIPS, INCLUDING HEIGHTS OF TRAPEZOIDS AND PENTIODS, AND WIDTHS AND HEIGHTS OF TRIANGLES, AND OCTAGONS DEPEND UPON THE INCLUSIVE ANGLES, AND MUST BE CALCULATED SEPARATELY FOR EACH UNIT.

Pinnacle Series

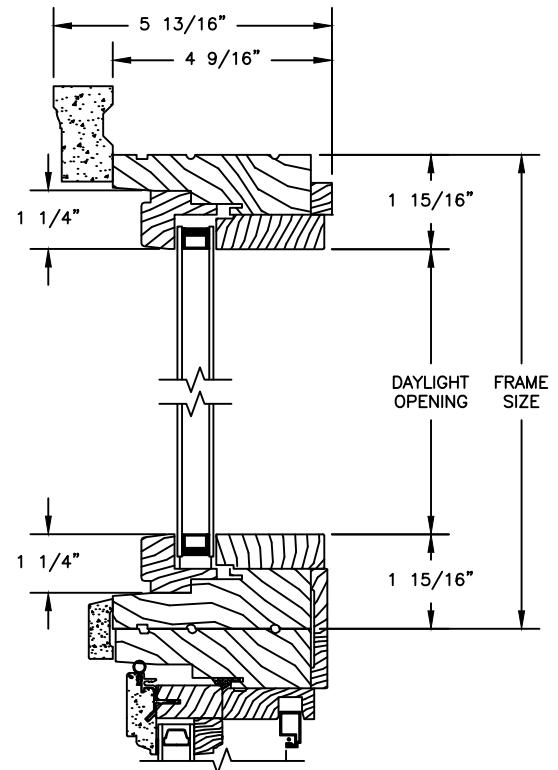
PRIMED DIRECT SET

SECTION DETAILS: DIRECT GLAZE WITH CONTEMPORARY STOPS

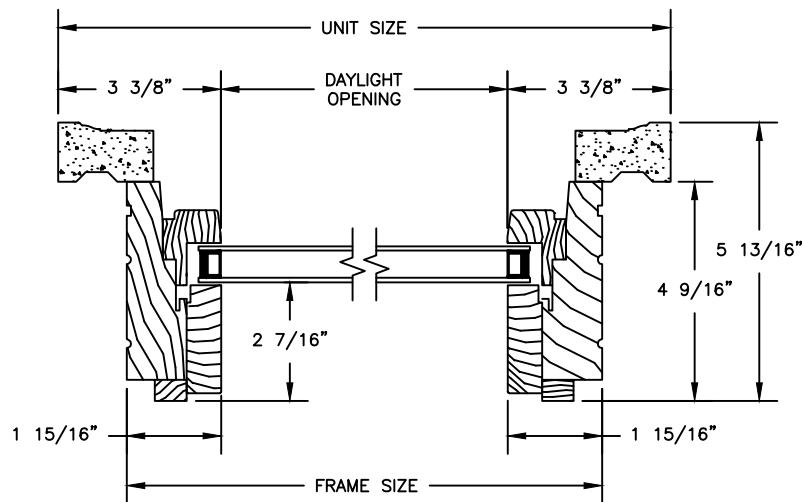
SCALE: 3" = 1'-0"



HEAD JAMB & SILL



TRANSOM
HEAD JAMB & SILL



JAMBS

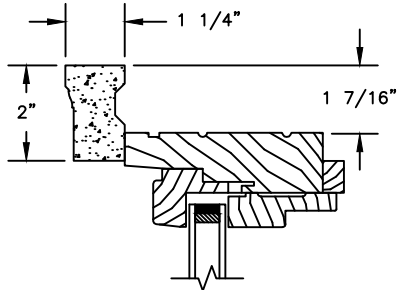
NOTES:

1. FOR RECTANGULAR UNITS, THE RELATIONSHIP BETWEEN GLASS SIZE, FRAME DIMENSION, ROUGH OPENING AND UNIT DIMENSION IS AS SHOWN ABOVE.
2. FOR TRAPEZOID & PENTIOD UNIT, THE RELATIONSHIP BETWEEN GLASS SIZE WIDTH, FRAME DIMENSION WIDTH, ROUGH OPENING WIDTH AND UNIT DIMENSION WIDTH IS AS SHOWN ABOVE.
3. ALL OTHER DIMENSIONAL RELATIONSHIPS, INCLUDING HEIGHTS OF TRAPEZIODS AND PENTIODS, AND WIDTHS AND HEIGHTS OF TRIANGLES, AND OCTAGONS DEPEND UPON THE INCLUSIVE ANGLES, AND MUST BE CALCULATED SEPARATELY FOR EACH UNIT.

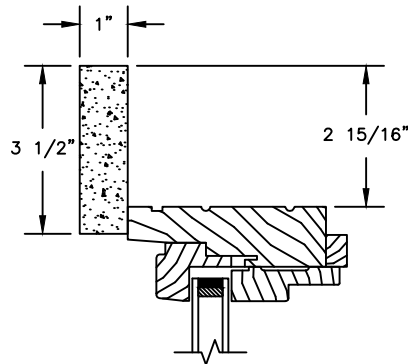
Pinnacle Series

PRIMED DIRECT SET

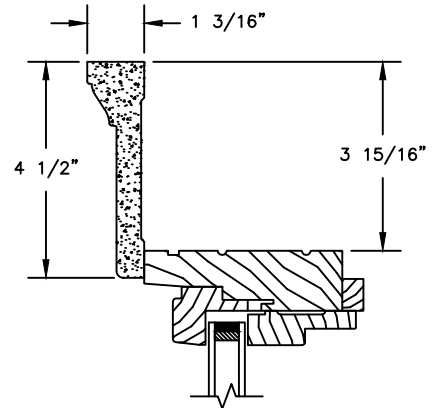
SECTION DETAILS : CASING OPTIONS
 SCALE: 3" = 1'-0"



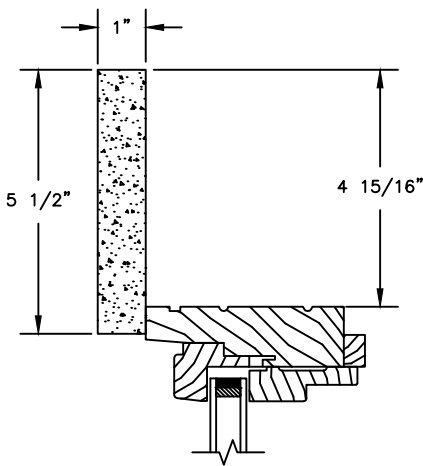
HEAD JAMB WITH
STANDARD 180 BRICKMOULD



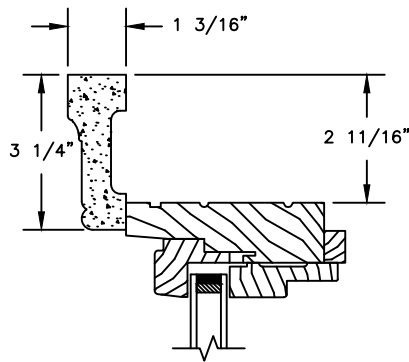
HEAD JAMB WITH
3 1/2" FLAT CASING



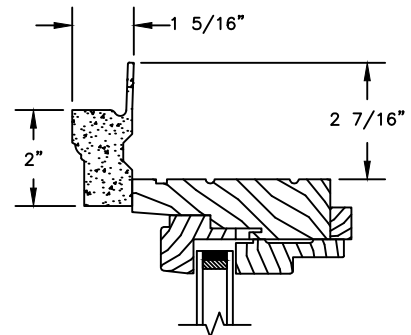
HEAD JAMB WITH
4 1/2" BACKBAND



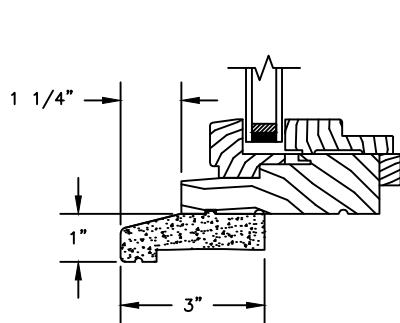
HEAD JAMB WITH
5 1/2" FLAT CASING



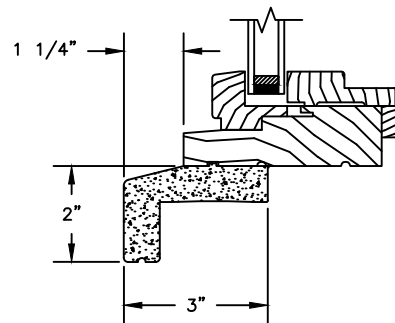
HEAD JAMB WITH
WILLIAMSBURG BRICKMOULD



HEAD JAMB WITH
180 FLANGED BRICKMOULD



SILL WITH STANDARD SUBSILL



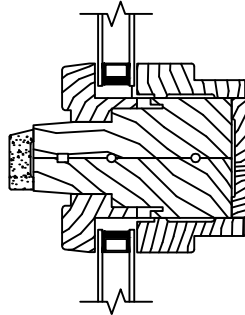
SILL WITH 2" SUBSILL

Pinnacle Series

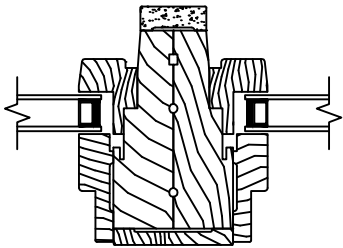
PRIMED DIRECT SET

SECTION DETAILS : MULLIONS

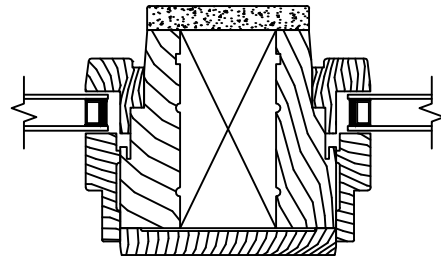
SCALE: 3" = 1'-0"



HORIZONTAL MULLION
DIRECT SET/DIRECT SET



VERTICAL MULLION
DIRECT SET/DIRECT SET



VERTICAL MULLION WITH
2" SPREAD MULL
ADDITIONAL WIDTHS INCLUDE:
1" - 5"

Pinnacle Series

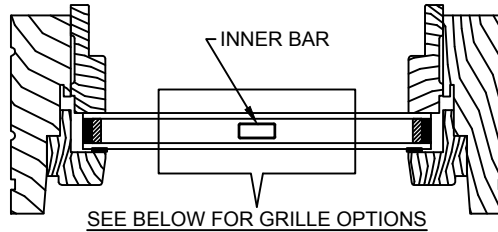
PRIMED DIRECT SET

SECTION DETAILS : GLASS STOP & DIVIDED LITE OPTIONS

SCALE: 3" = 1'-0"

AVAILABLE STYLES

-  - PUTTY
-  - TALL PUTTY
-  - OGEE
-  - CONTEMPORARY

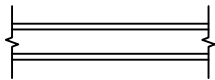


5/8" WDL WITH
INNER BAR

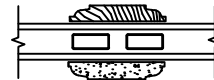
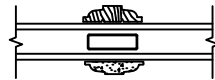
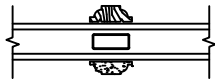
7/8" WDL WITH
INNERBAR

1 1/4" WDL WITH
INNERBAR

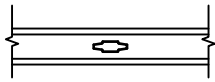
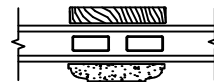
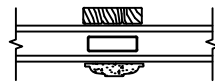
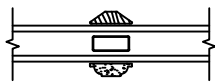
2" WDL WITH
INNERBAR



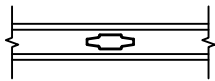
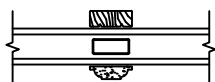
STANDARD
INSULATING GLASS



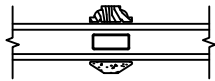
13/16" INNERGRILLE



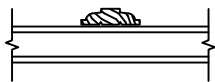
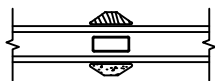
3/4" PROFILED
INNERGRILLE



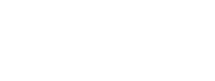
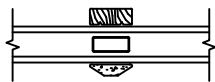
1" PROFILED
INNERGRILLE



7/8" STICK GRILLE



1 1/4" STICK GRILLE



NOTE:

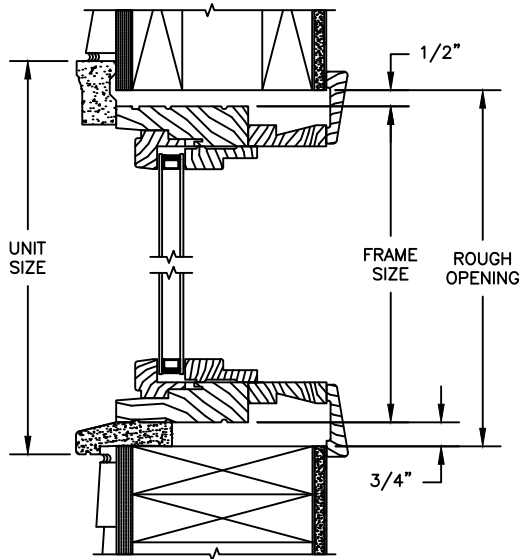
* ALL WDL OPTIONS CAN BE ORDERED WITH OR WITHOUT INNER BAR

Pinnacle Series

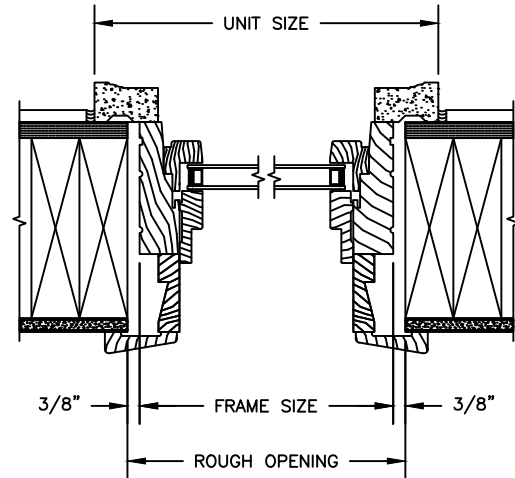
PRIMED DIRECT SET

SECTION DETAILS : CONSTRUCTION

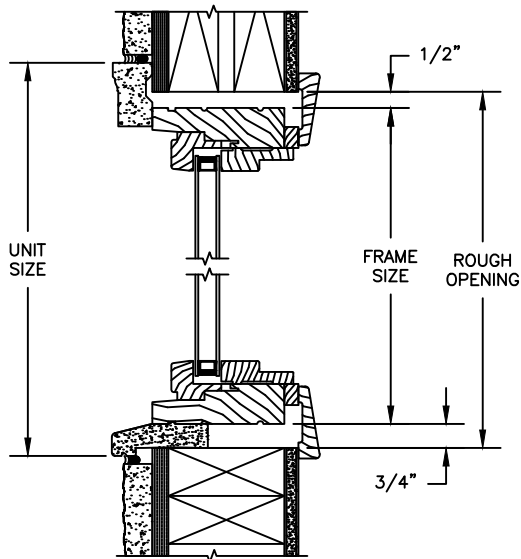
SCALE: 2" = 1'-0"



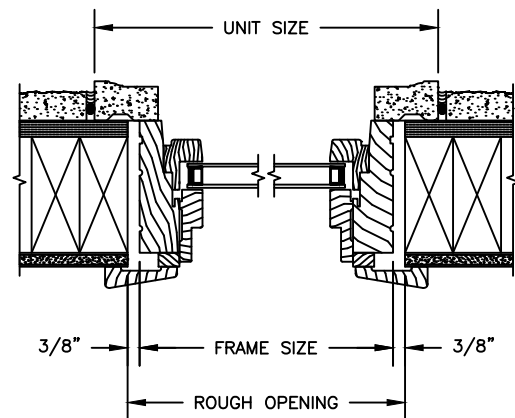
HEAD JAMB & SILL
2 X 6 FRAME WITH SIDING



JAMBS
2 X 6 FRAME WITH SIDING



HEAD JAMB & SILL
2 X 4 FRAME WITH STUCCO



JAMBS
2 X 4 FRAME WITH STUCCO

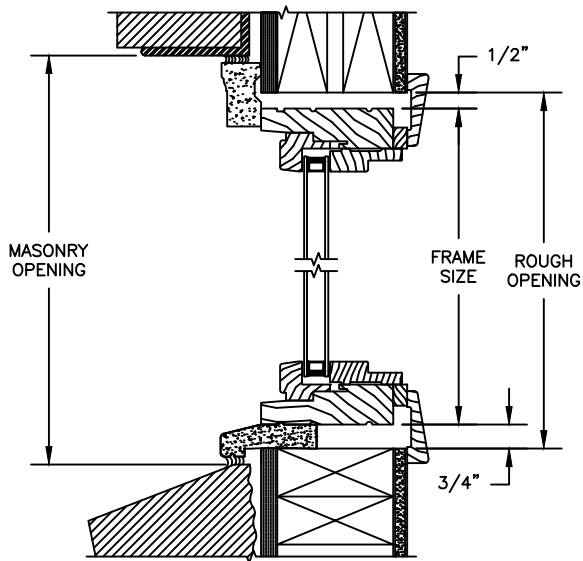
NOTE:
THE ABOVE WALL SECTIONS REPRESENT TYPICAL WALL CONDITIONS, THESE DETAILS ARE NOT INTENDED AS INSTALLATION INSTRUCTIONS. PLEASE REFER TO THE INSTALLATION INSTRUCTIONS PROVIDED WITH THE PURCHASED UNITS.

Pinnacle Series

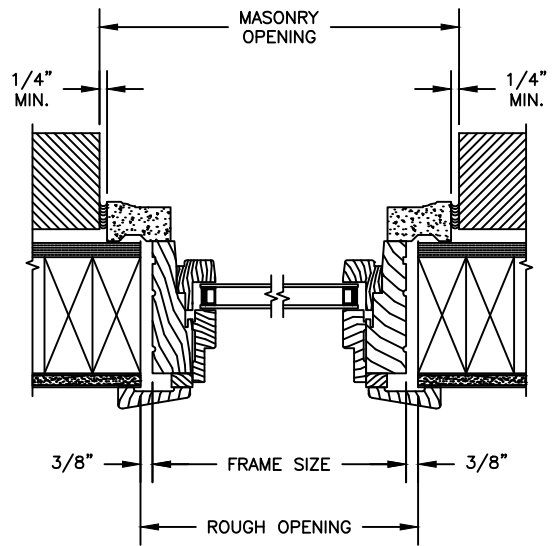
PRIMED DIRECT SET

SECTION DETAILS : CONSTRUCTION

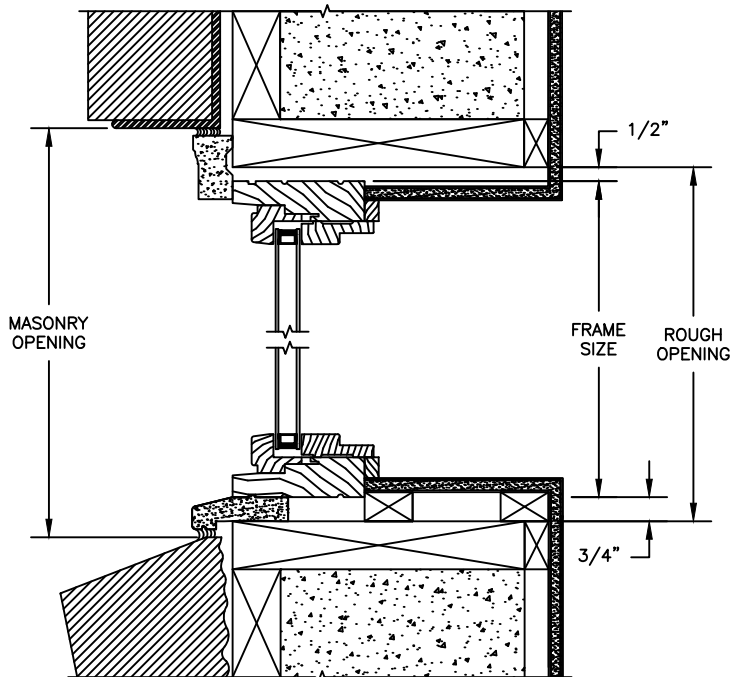
SCALE: 2" = 1'-0"



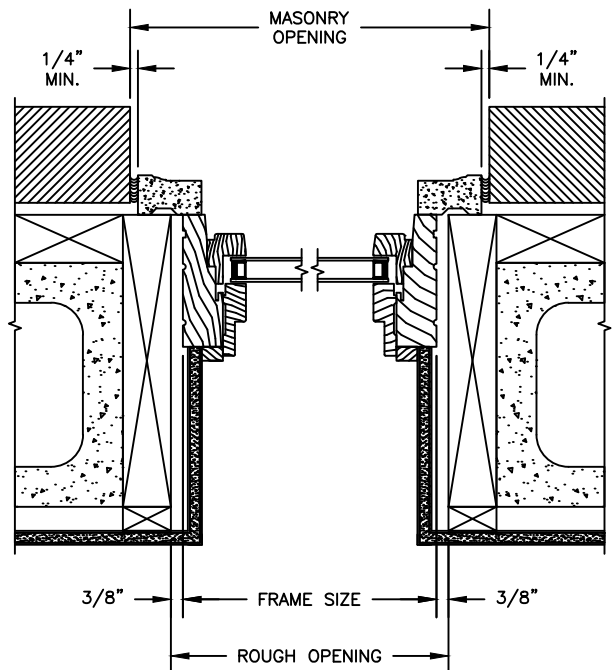
HEAD JAMB & SILL
2 X 4 FRAME WITH BRICK VENEER



JAMBS
2 X 4 FRAME WITH BRICK VENEER



HEAD JAMB & SILL
8" CONCRETE BLOCK WALL
WITH BRICK VENEER



JAMBS
8" CONCRETE BLOCK WALL
WITH BRICK VENEER

NOTE:
THE ABOVE WALL SECTIONS REPRESENT TYPICAL WALL CONDITIONS, THESE DETAILS ARE NOT INTENDED AS INSTALLATIONS INSTRUCTIONS. PLEASE REFER TO THE INSTALLATION INSTRUCTIONS PROVIDED WITH THE PURCHASED UNITS.