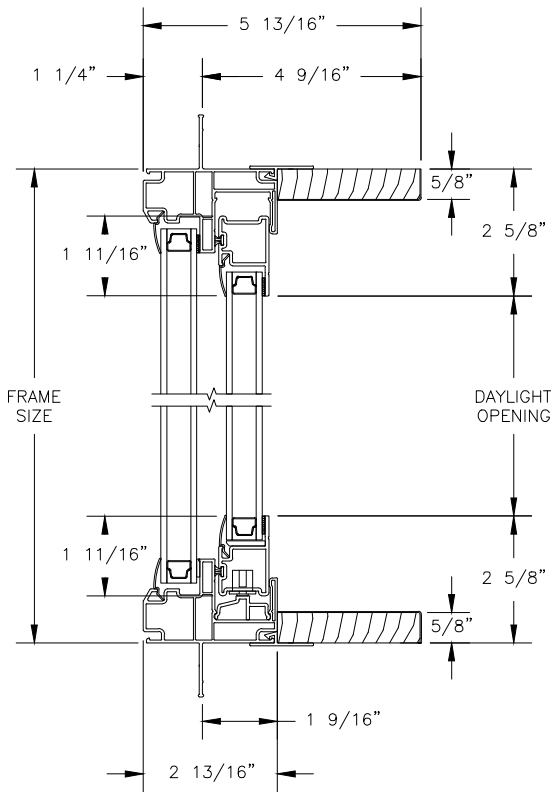


Next Dimension Pro Series

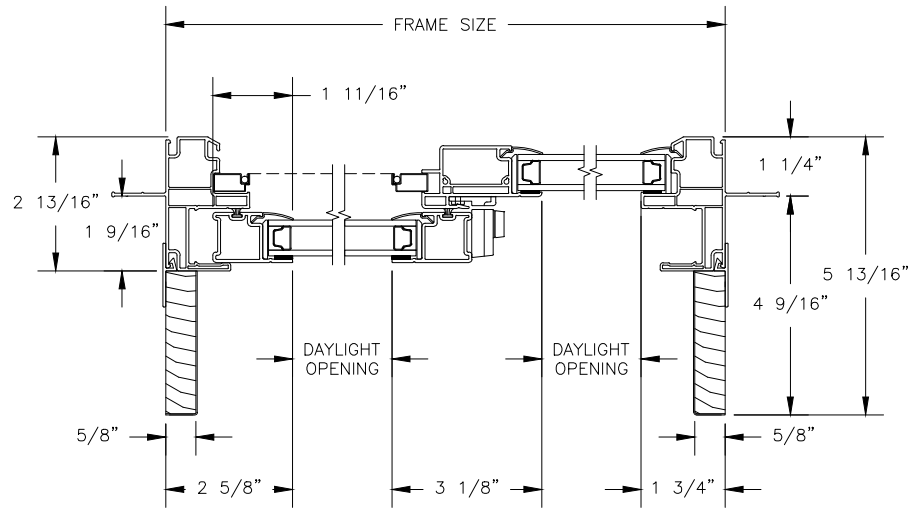
SLIDER

SECTION DETAILS: STANDARD FRAME

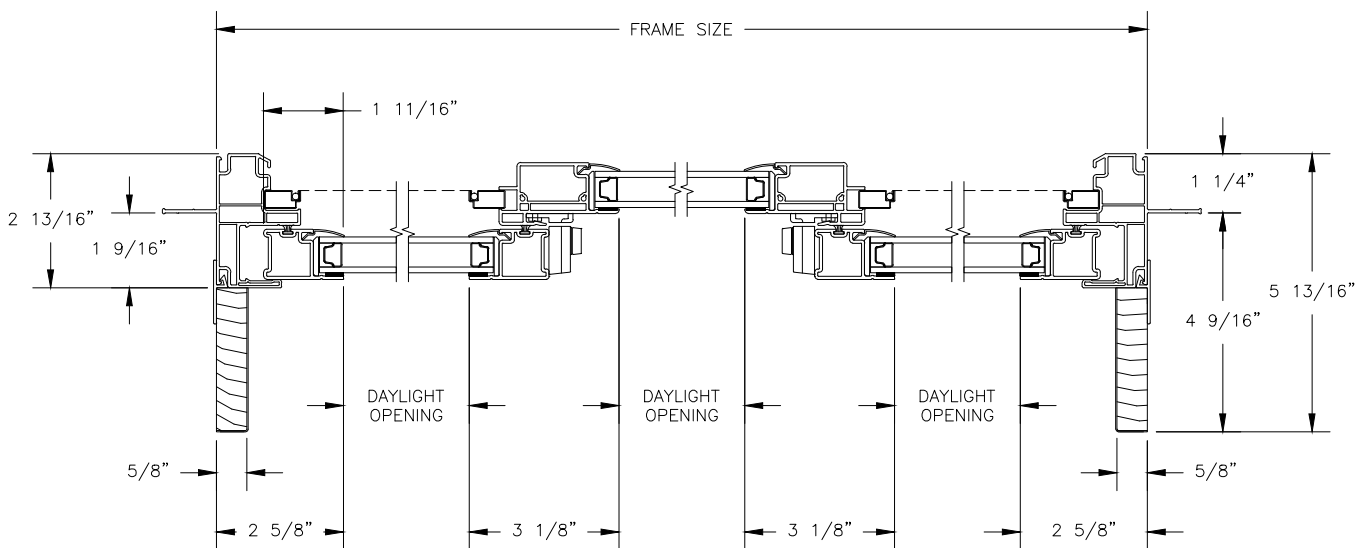
SCALE: 3" = 1'-0"



HEAD JAMB & SILL



JAMBS



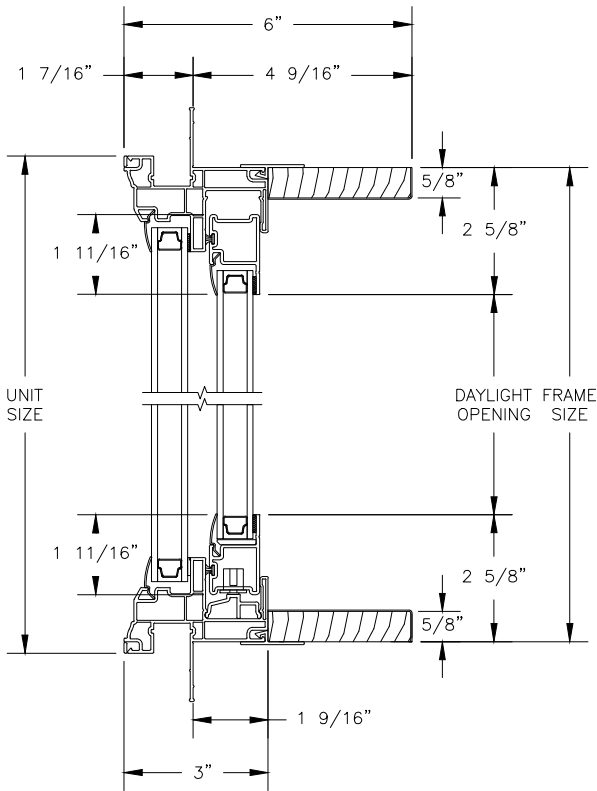
TRIPLE SIDE JAMBS

Next Dimension Pro Series

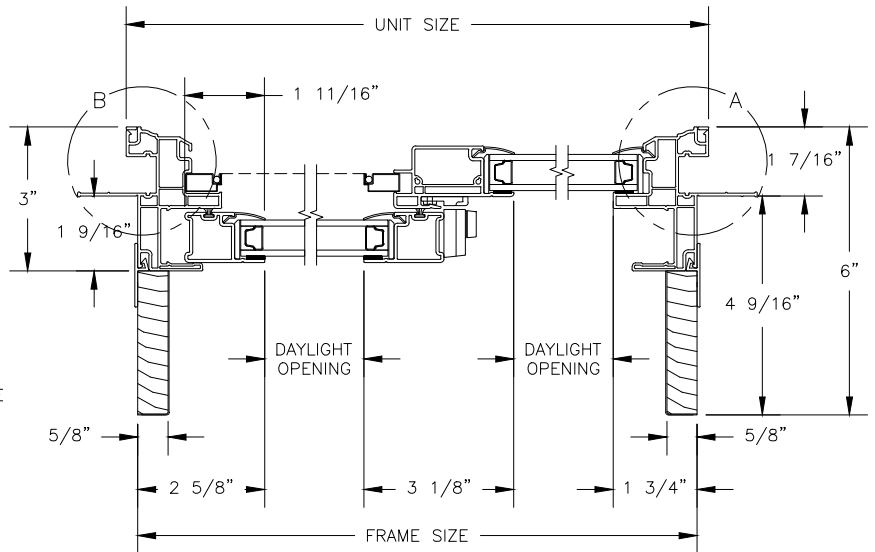
SLIDER

SECTION DETAILS: BRICKMOULD OPTION

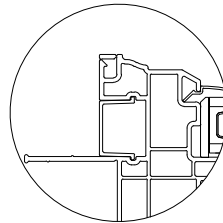
SCALE: 3" = 1'-0"



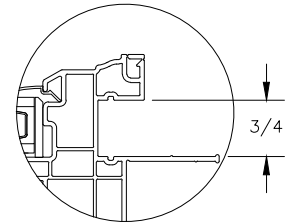
HEAD JAMB & SILL



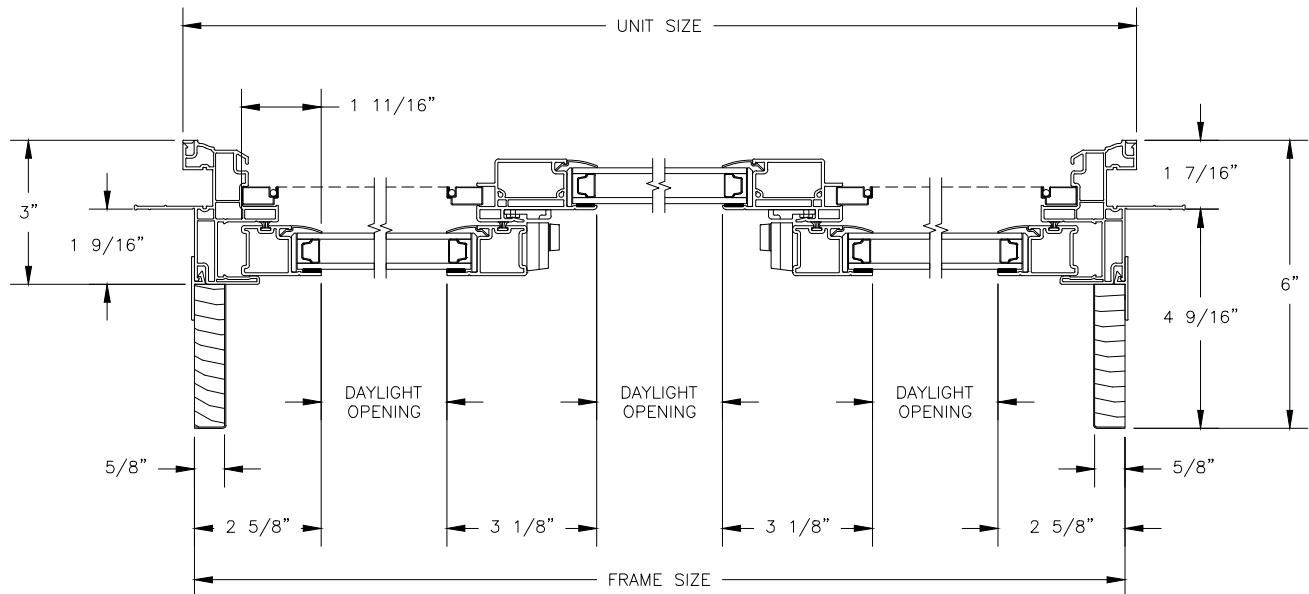
JAMBS



DETAIL B
OPTIONAL J-CHANNEL
COVER



DETAIL A



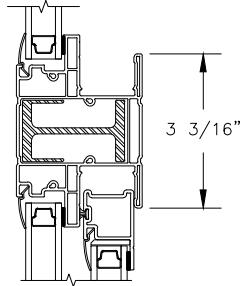
TRIPLE SIDE JAMBS

Next Dimension Pro Series

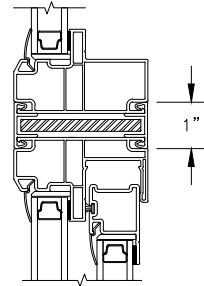
SLIDER

SECTION DETAILS: MULLIONS

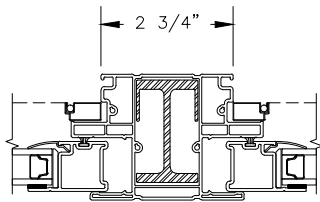
SCALE: 3" = 1'-0"



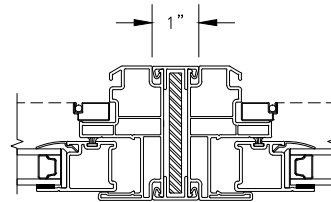
HORIZONTAL T-BAR
FIXED/OPERATOR



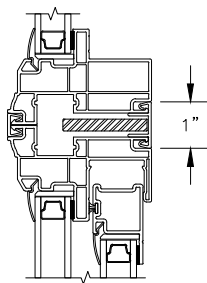
HORIZONTAL MULLION WITH
1/2" SPREAD MULL REINFORCEMENT
RADIUS/OPERATOR



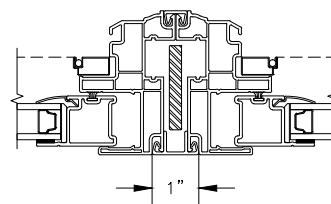
VERTICAL T-BAR
OPERATOR/OPERATOR



VERTICAL MULLION WITH
1/2" SPREAD MULL REINFORCEMENT
OPERATOR/OPERATOR



HORIZONTAL MULLION
BRICKMOULD FRAME
RADIUS/OPERATOR



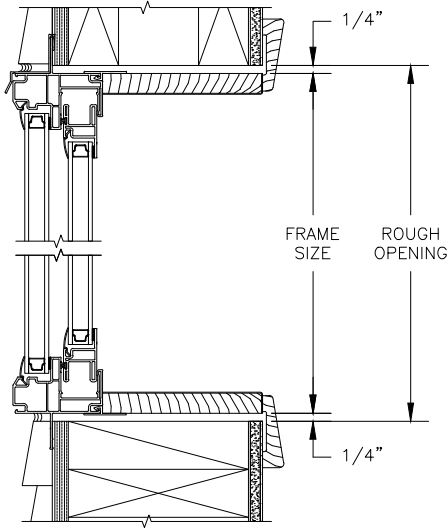
VERTICAL MULLION
BRICKMOULD FRAME
WITH ZERO MULL
OPERATOR/OPERATOR

Next Dimension Pro Series

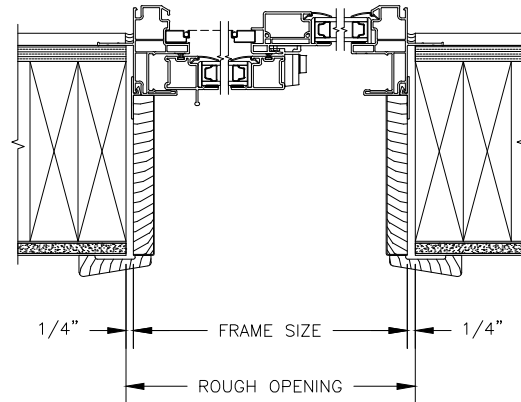
SLIDER

SECTION DETAILS : STANDARD FRAME CONSTRUCTION

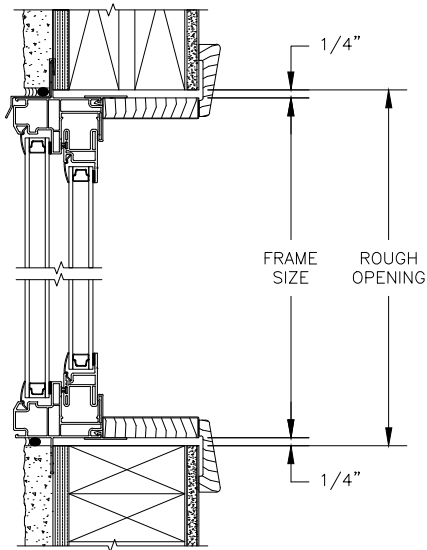
SCALE: 2" = 1'-0"



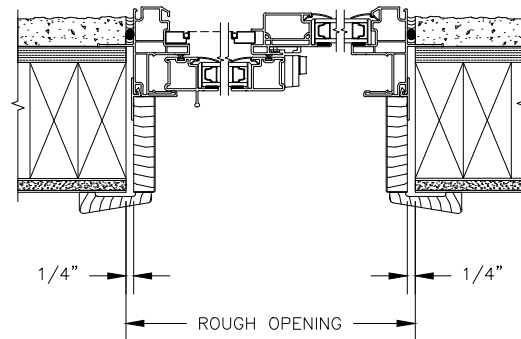
HEAD JAMB & SILL
2 X 6 FRAME WITH SIDING



JAMBS
2 X 6 FRAME WITH SIDING



HEAD JAMB & SILL
2 X 4 FRAME WITH STUCCO



JAMBS
2 X 4 FRAME WITH STUCCO

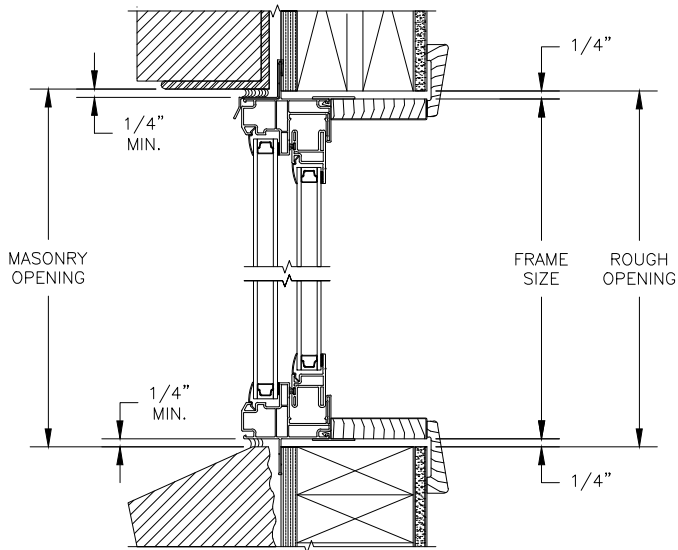
NOTE:
THE ABOVE WALL SECTIONS REPRESENT TYPICAL WALL CONDITIONS, THESE DETAILS ARE NOT INTENDED AS INSTALLATIONS INSTRUCTIONS. PLEASE REFER TO THE INSTALLATION INSTRUCTIONS PROVIDED WITH THE PURCHASED UNITS.

Next Dimension Pro Series

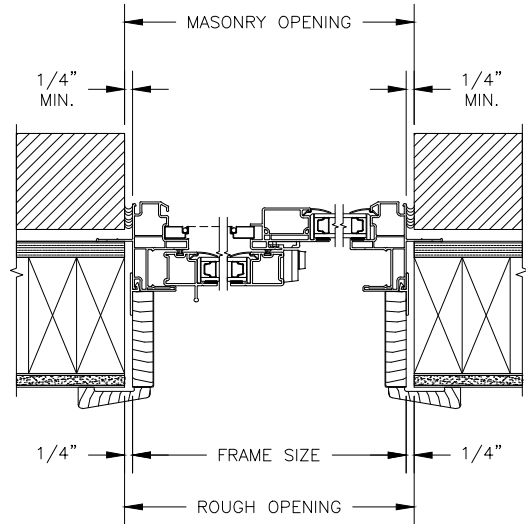
SLIDER

SECTION DETAILS : STANDARD FRAME CONSTRUCTION

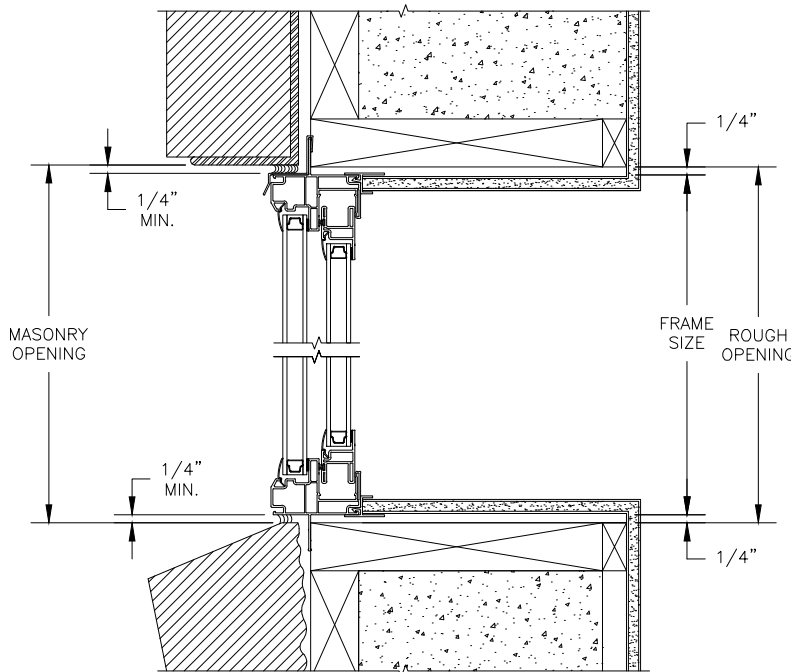
SCALE: 2" = 1'-0"



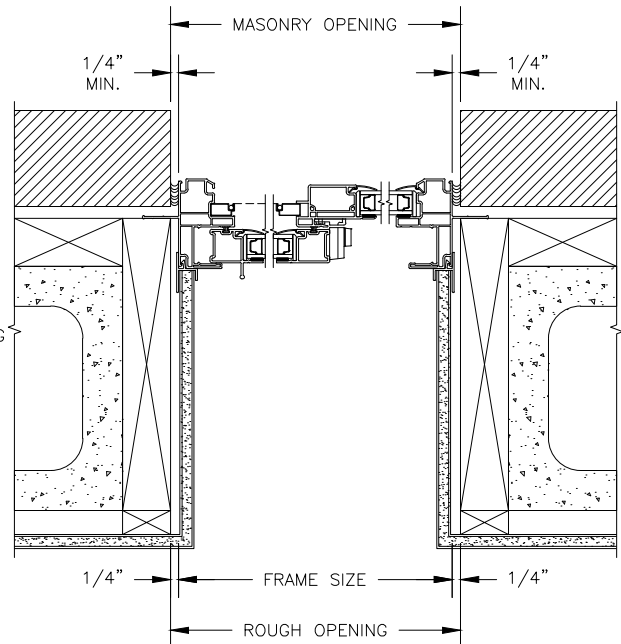
HEAD JAMB & SILL
2 X 4 FRAME WITH BRICK VENEER



JAMBS
2 X 4 FRAME WITH BRICK VENEER



HEAD JAMB & SILL
8" CONCRETE BLOCK WALL
WITH BRICK VENEER



JAMBS
8" CONCRETE BLOCK WALL
WITH BRICK VENEER

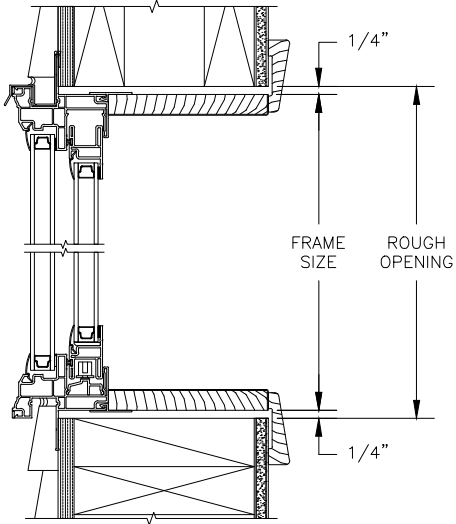
NOTE:
THE ABOVE WALL SECTIONS REPRESENT TYPICAL WALL CONDITIONS, THESE DETAILS ARE NOT INTENDED AS INSTALLATIONS INSTRUCTIONS. PLEASE REFER TO THE INSTALLATION INSTRUCTIONS PROVIDED WITH THE PURCHASED UNITS.

Next Dimension Pro Series

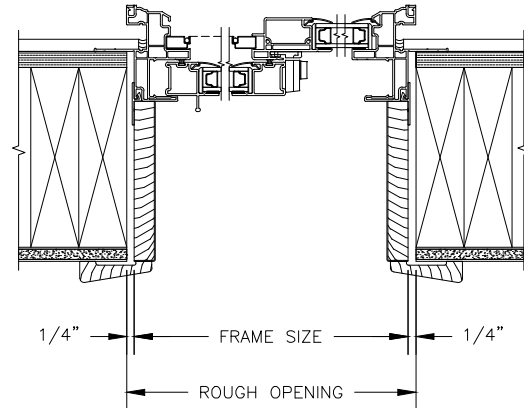
SLIDER

SECTION DETAILS : BRICKMOULD FRAME CONSTRUCTION

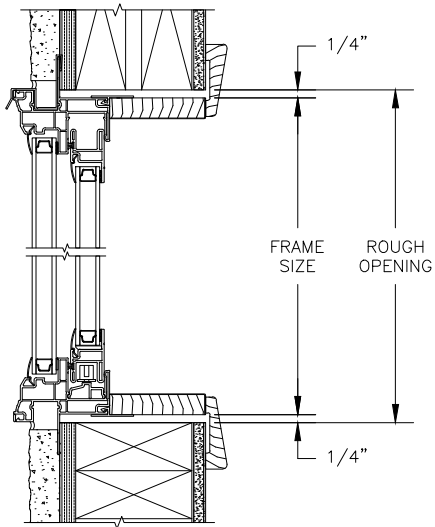
SCALE: 2" = 1'-0"



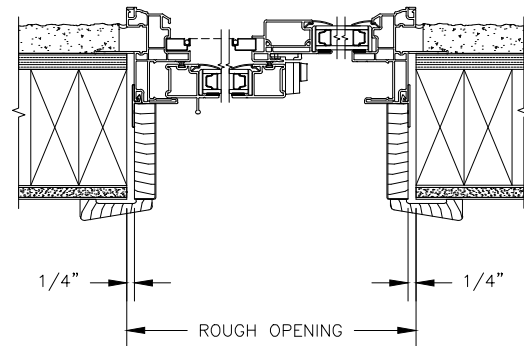
HEAD JAMB & SILL
2 X 6 FRAME WITH SIDING



JAMBS
2 X 6 FRAME WITH SIDING



HEAD JAMB & SILL
2 X 4 FRAME WITH STUCCO



JAMBS
2 X 4 FRAME WITH STUCCO

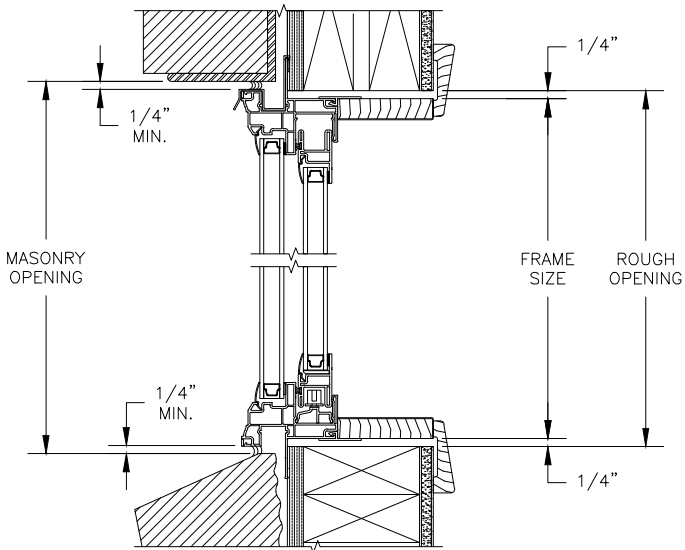
NOTE :
THE ABOVE WALL SECTIONS REPRESENT TYPICAL WALL CONDITIONS, THESE DETAILS ARE NOT INTENDED AS INSTALLATIONS INSTRUCTIONS. PLEASE REFER TO THE INSTALLATION INSTRUCTIONS PROVIDED WITH THE PURCHASED UNITS.

Next Dimension Pro Series

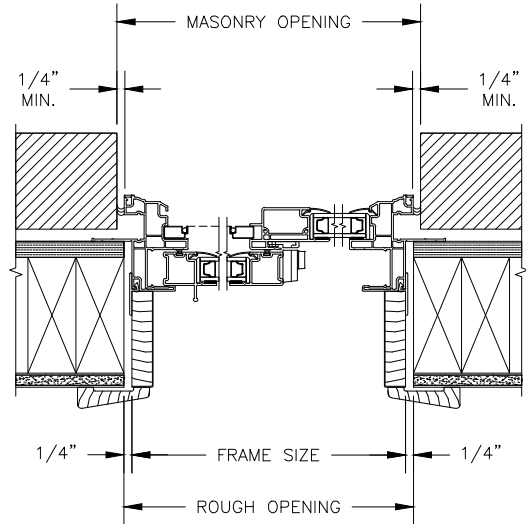
SLIDER

SECTION DETAILS : BRICKMOULD FRAME CONSTRUCTION

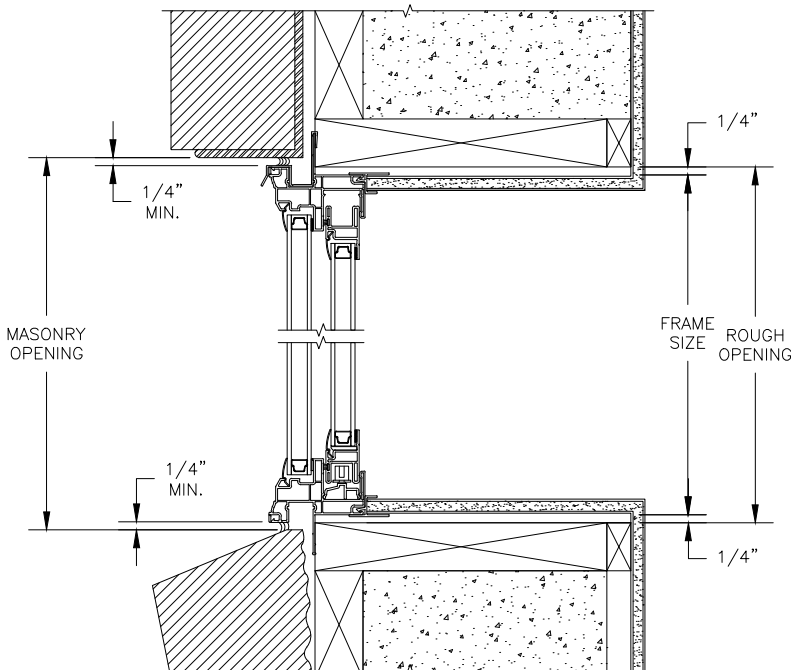
SCALE: 2" = 1'-0"



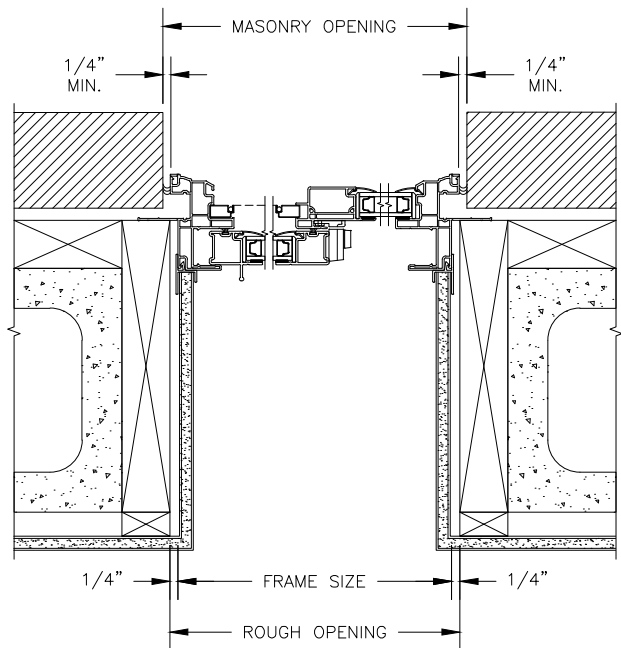
HEAD JAMB & SILL
2 X 4 FRAME WITH BRICK VENEER



JAMBS
2 X 4 FRAME WITH BRICK VENEER



HEAD JAMB & SILL
8" CONCRETE BLOCK WALL
WITH BRICK VENEER



JAMBS
8" CONCRETE BLOCK WALL
WITH BRICK VENEER

NOTE:
THE ABOVE WALL SECTIONS REPRESENT TYPICAL WALL CONDITIONS. THESE DETAILS ARE NOT INTENDED AS INSTALLATION INSTRUCTIONS. PLEASE REFER TO THE INSTALLATION INSTRUCTIONS PROVIDED WITH THE PURCHASED UNITS.