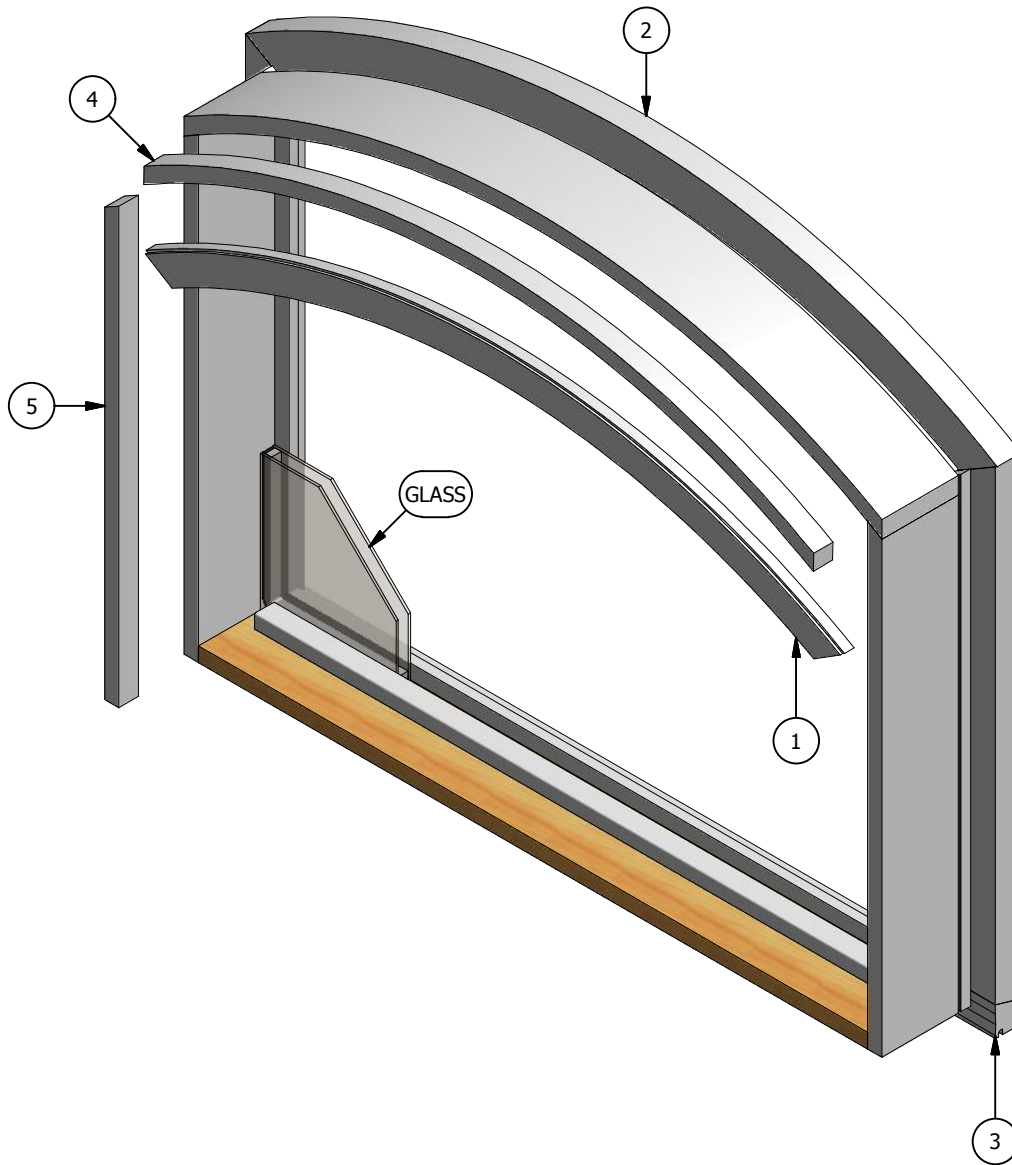




WINDSOR
WINDOWS & DOORS
A Woodgrain Millwork Company

Legend Series Radius Parts Identification



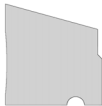
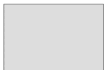





Legend Series

Radius

Parts Identification

Image	Item #	Description	Color / Finish	Spec	Part #
	1	Outside Stop	12' Lineal Length		2380051
	2	Exterior Casing (Head & Sides) (See Accessory section for other options)	14' Lineal Length		2390003
	3	Sill Nose	12' Lineal Length		2380021
	4	Radius Inside Stop	14' Lineal Length		2380048 *
	5	Inside Stop (Sill & Sides)	14' Lineal Length		2380048

* When ordering replacement parts for radius units, include the following information:
 Frame base measured from base outside of frame to outside of frame
 Frame height measured from outside of base to top of hights point of radius at head
 If the unit has vertical legs, measure from base to top of leg where radius starts