

Pinnacle Series

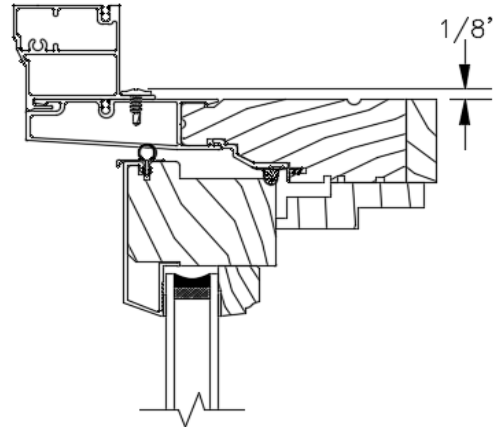
CLAD DIRECT SET

MEASUREMENT CONVERSIONS

STANDARD (NO CASING)													
Size Referenced	Daylite Opening		Glass Size		Frame Size		Rough Opening		Unit Size		Masonry Opening		
Daylite Opening	Dimension Needed												
			Width	+ 7/8	Width	+ 3 7/8	Width	+ 4 5/8	Width	+ 3 7/8	Width	+ 4 5/8	
			Height	+ 7/8	Height	+ 3 7/8	Height	+ 4 3/8	Height	+ 3 7/8	Height	+ 4 3/8	
Glass Size	Width	- 7/8			Width	+ 3	Width	+ 3 3/4	Width	+ 3	Width	+ 3 3/4	
	Height	- 7/8			Height	+ 3	Height	+ 3 1/2	Height	+ 3	Height	+ 3 1/2	
Frame Size	Dimension Given	Width	- 3 7/8	Width	- 3			Width	+ 3/4	Width	+ 0	Width	+ 3/4
		Height	- 3 7/8	Height	- 3			Height	+ 1/2	Height	+ 0	Height	+ 1/2
Rough Opening	Dimension Given	Width	- 4 5/8	Width	- 3 3/4	Width	- 3/4			Width	- 3/4	Width	+ 0
		Height	- 4 3/8	Height	- 3 1/2	Height	- 1/2			Height	- 1/2	Height	+ 0
Unit Size	Dimension Given	Width	- 3 7/8	Width	- 3	Width	+ 0	Width	+ 3/4			Width	+ 3/4
		Height	- 3 7/8	Height	- 3	Height	+ 0	Height	+ 1/2			Height	+ 1/2
Masonry Opening	Dimension Given	Width	- 4 5/8	Width	- 3 3/4	Width	- 3/4	Width	+ 0	Width	- 3/4		
		Height	- 4 3/8	Height	- 3 1/2	Height	- 1/2	Height	+ 0	Height	- 1/2		

FRAME TO UNIT ADDERS

WM180 Brickmould	3/8" Subsill	+ 2 13/16	Width
		+ 1 3/4	Height
	1 1/4" Subsill	+ 2 13/16	Width
		+ 2 11/16	Height
	2 1/4" Subsill	+ 2 13/16	Width
		+ 3 11/16	Height
Williamsburg Casing	3/8" Subsill	+ 6 1/2	Width
		+ 3 5/8	Height
	1 1/4" Subsill	+ 6 1/2	Width
		+ 4 1/2	Height
	2 1/4" Subsill	+ 6 1/2	Width
		+ 5 1/2	Height
3 1/2" Flat Casing	3/8" Subsill	+ 5 7/8	Width
		+ 3 5/16	Height
	1 1/4" Subsill	+ 5 7/8	Width
		+ 4 3/16	Height
	2 1/4" Subsill	+ 5 7/8	Width
		+ 5 3/16	Height



NOTE: RIGID NAIL FIN AND ALL CASING OPTIONS ARE APPLIED WITH SCREWS THAT SLIGHTLY PROTRUDE INTO ROUGH OPENING BY 1/8". THESE SCREWS ARE NOT INCLUDED IN ROUGH OPENING CALCULATIONS.

NOTE: ADD 3/4" TO UNIT WIDTH AND 1/2" TO UNIT HEIGHT TO CALCULATE MASONRY OPENING.