

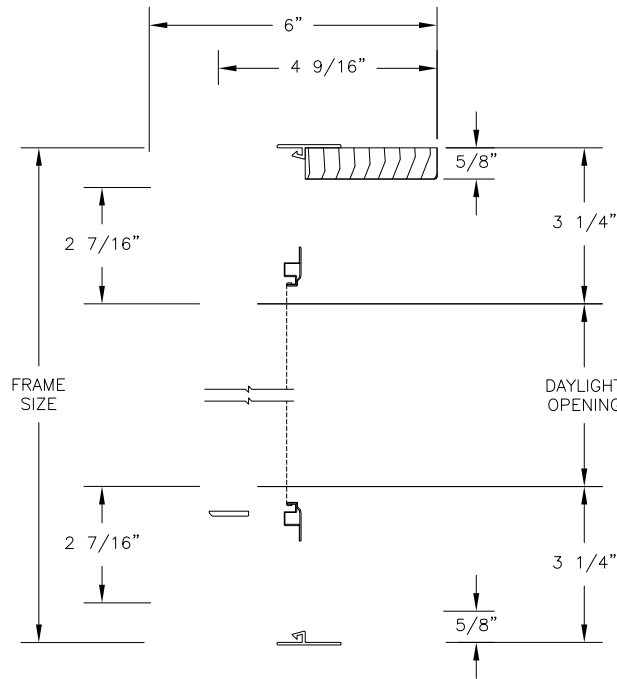
Next Dimension Signature Series

AWNING

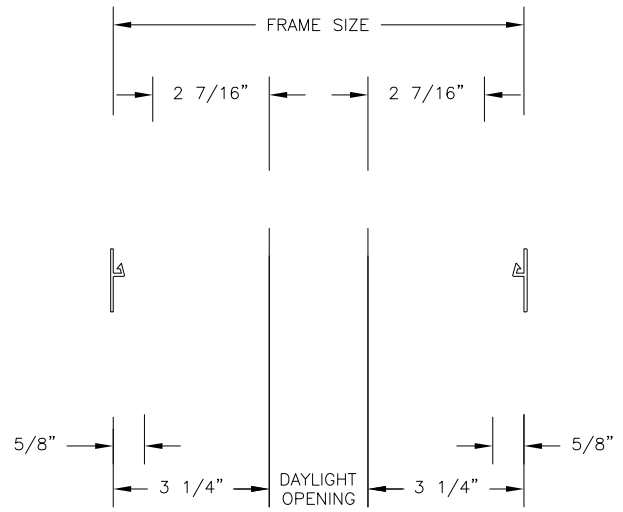
SECTION DETAILS: OPERATING / PICTURE

SCALE: 3" = 1'-0"

OPERATING



HEAD JAMB & SILL



JAMBS

PICTURE



HEAD JAMB & SILL

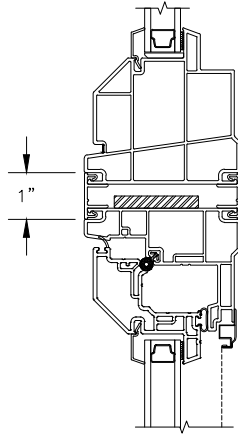
JAMBS

Next Dimension Signature Series

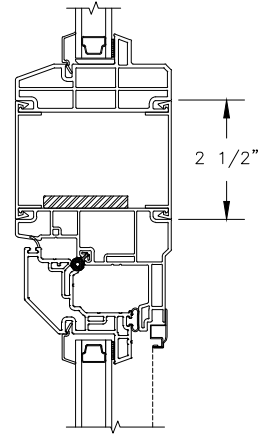
AWNING

SECTION DETAILS: MULLIONS

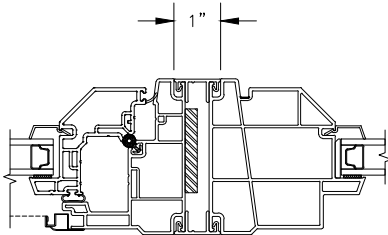
SCALE: 3" = 1'-0"



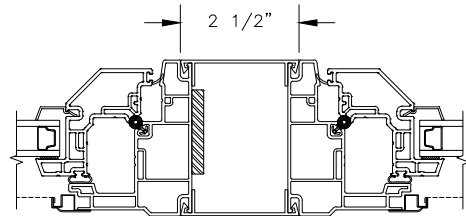
HORIZONTAL MULLION
PICTURE/OPERATOR



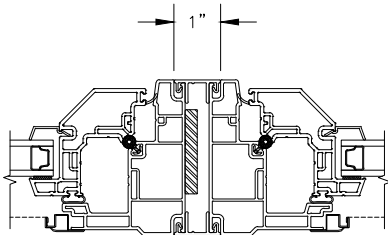
HORIZONTAL 2" MULLION
RADIUS/OPERATOR



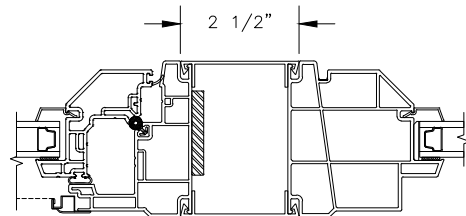
VERTICAL MULLION
OPERATOR/OPERATOR



VERTICAL 2" MULLION
OPERATOR/OPERATOR



VERTICAL MULLION
OPERATOR/PICTURE



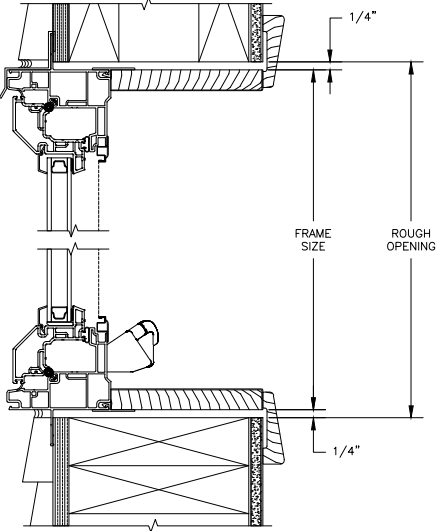
VERTICAL 2" MULLION
OPERATOR/PICTURE

Next Dimension Signature Series

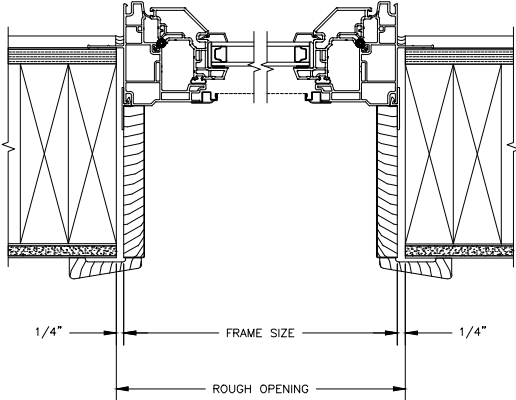
AWNING

SECTION DETAILS : CONSTRUCTION

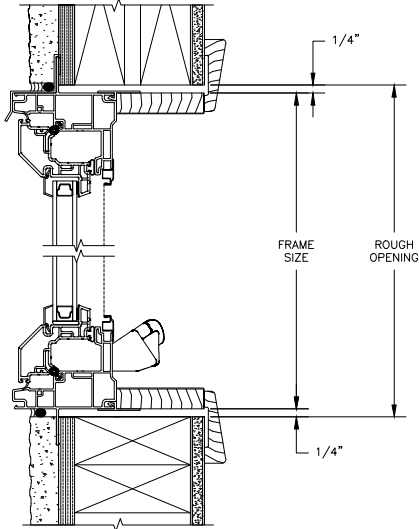
SCALE: 2" = 1'-0"



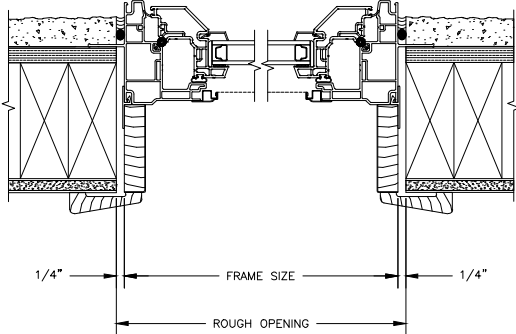
HEAD JAMB & SILL
2 X 6 FRAME WITH SIDING



JAMBS
2 X 6 FRAME WITH SIDING



HEAD JAMB & SILL
2 X 4 FRAME WITH STUCCO



JAMBS
2 X 4 FRAME WITH STUCCO

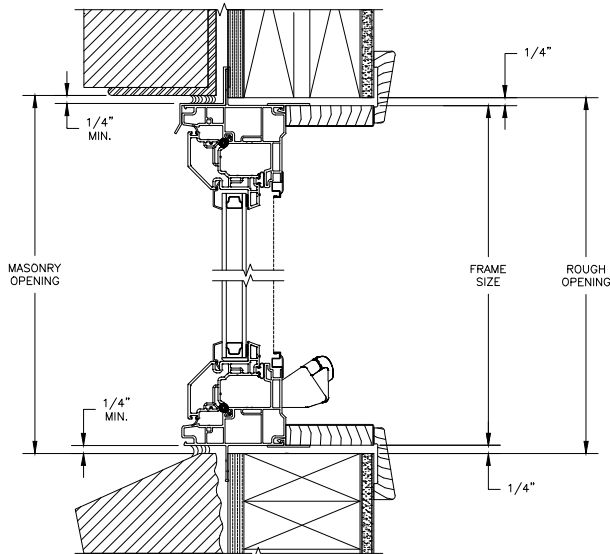
NOTE :
THE ABOVE WALL SECTIONS REPRESENT TYPICAL WALL CONDITIONS, THESE DETAILS ARE NOT INTENDED AS INSTALLATIONS INSTRUCTIONS. PLEASE REFER TO THE INSTALLATION INSTRUCTIONS PROVIDED WITH THE PURCHASED UNITS.

Next Dimension Signature Series

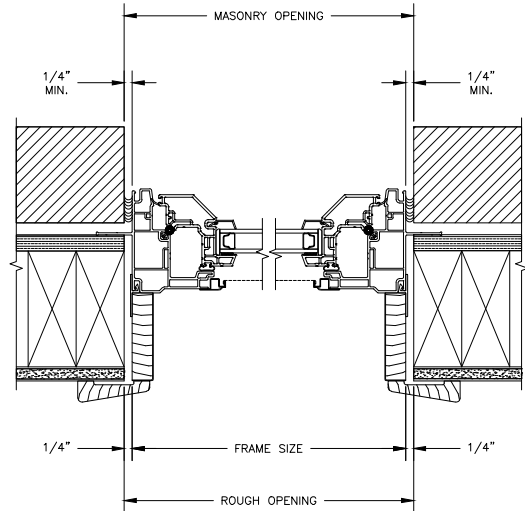
AWNING

SECTION DETAILS : CONSTRUCTION

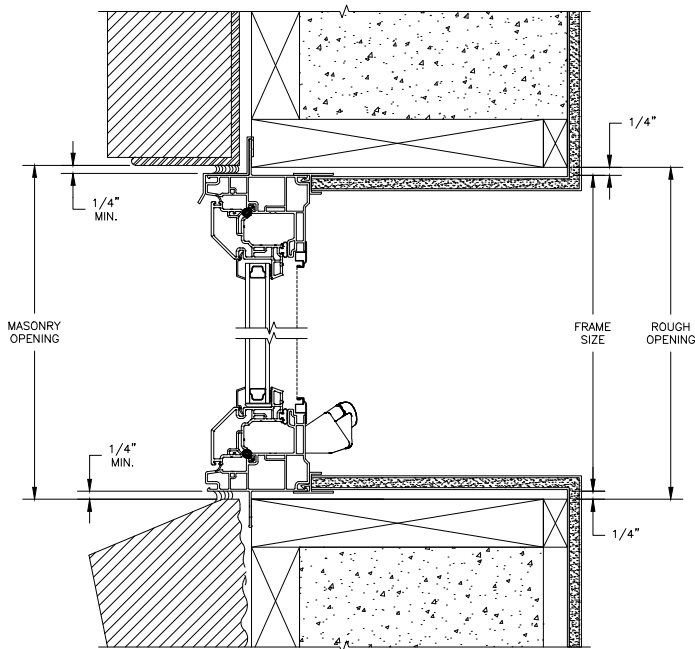
SCALE: 2" = 1'-0"



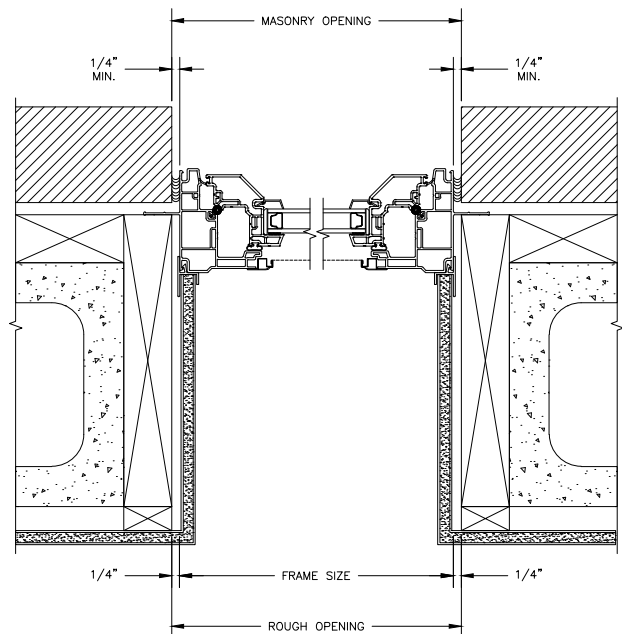
HEAD JAMB & SILL
2 X 4 FRAME WITH BRICK VENEER



JAMBS
2 X 4 FRAME WITH BRICK VENEER



HEAD JAMB & SILL
8" CONCRETE BLOCK WALL
WITH BRICK VENEER



JAMBS
8" CONCRETE BLOCK WALL
WITH BRICK VENEER

NOTE :
THE ABOVE WALL SECTIONS REPRESENT TYPICAL WALL CONDITIONS, THESE DETAILS ARE NOT INTENDED AS INSTALLATIONS INSTRUCTIONS. PLEASE REFER TO THE INSTALLATION INSTRUCTIONS PROVIDED WITH THE PURCHASED UNITS.