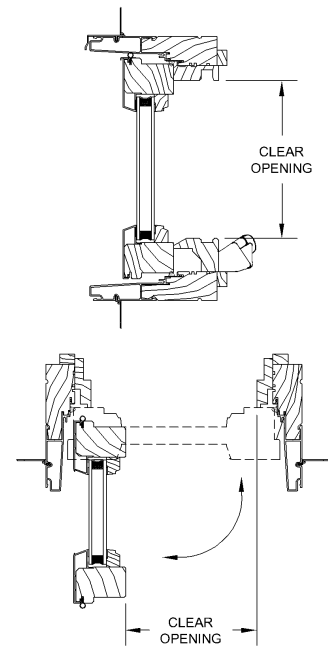


# Pinnacle Select Series

## CLAD CASEMENT - STANDARD SCREEN

### EGRESS, LITE, VENT & SCREEN MEASUREMENTS

Egress, Lite and Vent Measurements												
Casement												
Frame Size	Egress Width		Egress Height	Sq. Ft. Egress		Egress Code Compliance*			Sq. Ft. Vent	Sq. Ft. Daylite	Screen Size	
	Std. HRDW	Egress HRDW		Std. HRDW	Egress HRDW	U.S.		Canada			Width	Height
						5.0 ft <sup>2</sup>	5.7 ft <sup>2</sup>					
1824	9.25		19.41	1.25	-	-	-	1.90	1.40	14 11/16	19 3/4	
1830	9.25		25.41	1.63	-	-	-	2.49	1.88	14 11/16	25 3/4	
1836	9.25		31.41	2.02	-	-	-	3.08	2.36	14 11/16	31 3/4	
1842	9.25		37.41	2.40	-	-	-	3.67	2.84	14 11/16	37 3/4	
1848	9.25		43.41	2.79	-	-	-	4.26	3.31	14 11/16	43 3/4	
1854	9.25		49.41	3.17	-	-	-	4.85	3.79	14 11/16	49 3/4	
1860	9.25		55.41	3.56	-	-	-	5.43	4.27	14 11/16	55 3/4	
1866	9.25		61.41	3.94	-	-	-	6.02	4.75	14 11/16	61 3/4	
1872	9.25		67.41	4.33	-	-	-	6.61	5.23	14 11/16	67 3/4	
1878	9.25		73.41	4.72	-	-	-	7.20	5.71	14 11/16	73 3/4	
1884	9.25		79.41	5.10	-	-	-	7.79	6.19	14 11/16	79 3/4	
1890	9.25		85.41	5.49	-	-	-	8.38	6.67	14 11/16	85 3/4	
1896	9.25		91.41	5.87	-	-	-	8.97	7.15	14 11/16	91 3/4	
2024	11.25		19.41	1.52	-	-	-	2.17	1.64	16 11/16	19 3/4	
2030	11.25		25.41	1.99	-	-	-	2.84	2.20	16 11/16	25 3/4	
2036	11.25		31.41	2.45	-	-	-	3.52	2.77	16 11/16	31 3/4	
2042	11.25		37.41	2.92	-	-	-	4.19	3.33	16 11/16	37 3/4	
2048	11.25		43.41	3.39	-	-	-	4.86	3.89	16 11/16	43 3/4	
2054	11.25		49.41	3.86	-	-	-	5.53	4.45	16 11/16	49 3/4	
2060	11.25		55.41	4.33	-	-	-	6.20	5.02	16 11/16	55 3/4	
2066	11.25		61.41	4.80	-	-	-	6.88	5.58	16 11/16	61 3/4	
2072	11.25		67.41	5.27	-	-	-	7.55	6.14	16 11/16	67 3/4	
2078	11.25		73.41	5.74	-	-	-	8.22	6.70	16 11/16	73 3/4	
2084	11.25		79.41	6.20	-	-	-	8.89	7.27	16 11/16	79 3/4	
2090	11.25		85.41	6.67	-	-	-	9.56	7.83	16 11/16	85 3/4	
2096	11.25		91.41	7.14	-	-	-	10.24	8.39	16 11/16	91 3/4	
2424	15.25	17.80	19.41	2.06	2.40	-	-	2.71	2.13	20 11/16	19 3/4	
2430	15.25	17.80	25.41	2.69	3.14	-	-	3.55	2.86	20 11/16	25 3/4	
2436	15.25	17.80	31.41	3.33	3.88	-	-	4.39	3.59	20 11/16	31 3/4	
2442	15.25	17.80	37.41	3.96	4.62	-	-	5.23	4.31	20 11/16	37 3/4	
2448	15.25	17.80	43.41	4.60	5.37	-	-	6.07	5.04	20 11/16	43 3/4	
2454	15.25	17.80	49.41	5.23	6.11	-	-	6.90	5.77	20 11/16	49 3/4	
2460	15.25	17.80	55.41	5.87	6.85	-	-	7.74	6.50	20 11/16	55 3/4	
2466	15.25	17.80	61.41	6.50	7.59	-	-	8.58	7.23	20 11/16	61 3/4	
2472	15.25	17.80	67.41	7.14	8.33	-	-	9.42	7.96	20 11/16	67 3/4	
2478	15.25	17.80	73.41	7.77	9.07	-	-	10.26	8.69	20 11/16	73 3/4	
2484	15.25	17.80	79.41	8.41	9.82	-	-	11.10	9.42	20 11/16	79 3/4	
2490	15.25	17.80	85.41	9.05	10.56	-	-	11.94	10.15	20 11/16	85 3/4	
2496	15.25	17.80	91.41	9.68	11.30	-	-	12.77	10.88	20 11/16	91 3/4	
2824	19.25	21.80	19.41	2.59	2.94	-	-	3.25	2.61	24 11/16	19 3/4	
2830	19.25	21.80	25.41	3.40	3.85	-	-	4.26	3.51	24 11/16	25 3/4	
2836	19.25	21.80	31.41	4.20	4.76	-	-	5.26	4.40	24 11/16	31 3/4	
2842	19.25	21.80	37.41	5.00	5.66	E	-	6.27	5.30	24 11/16	37 3/4	
2848	19.25	21.80	43.41	5.80	6.57	E	E	7.27	6.20	24 11/16	43 3/4	
2854	19.25	21.80	49.41	6.61	7.48	E	E	8.28	7.09	24 11/16	49 3/4	
2860	19.25	21.80	55.41	7.41	8.39	E	E	9.28	7.99	24 11/16	55 3/4	
2866	19.25	21.80	61.41	8.21	9.30	E	E	10.29	8.88	24 11/16	61 3/4	
2872	19.25	21.80	67.41	9.01	10.21	E	E	11.29	9.78	24 11/16	67 3/4	
2878	19.25	21.80	73.41	9.81	11.11	E	E	12.30	10.68	24 11/16	73 3/4	
2884	19.25	21.80	79.41	10.62	12.02	E	E	13.30	11.57	24 11/16	79 3/4	
2890	19.25	21.80	85.41	11.42	12.93	E	E	14.31	12.47	24 11/16	85 3/4	
2896	19.25	21.80	91.41	12.22	13.84	E	E	15.31	13.36	24 11/16	91 3/4	
3024	21.25	23.80	19.41	2.86	3.21	-	-	3.52	2.86	26 11/16	19 3/4	
3030	21.25	23.80	25.41	3.75	4.20	-	-	4.61	3.84	26 11/16	25 3/4	
3036	21.25	23.80	31.41	4.64	5.19	E	-	5.70	4.81	26 11/16	31 3/4	
3042	21.25	23.80	37.41	5.52	6.18	S	E	6.79	5.79	26 11/16	37 3/4	
3048	21.25	23.80	43.41	6.41	7.17	S	S	7.87	6.77	26 11/16	43 3/4	
3054	21.25	23.80	49.41	7.29	8.17	S	S	8.96	7.75	26 11/16	49 3/4	
3060	21.25	23.80	55.41	8.18	9.16	S	S	10.05	8.73	26 11/16	55 3/4	
3066	21.25	23.80	61.41	9.06	10.15	S	S	11.14	9.71	26 11/16	61 3/4	
3072	21.25	23.80	67.41	9.95	11.14	S	S	12.23	10.69	26 11/16	67 3/4	
3078	21.25	23.80	73.41	10.83	12.13	S	S	13.32	11.67	26 11/16	73 3/4	
3084	21.25	23.80	79.41	11.72	13.12	S	S	14.41	12.65	26 11/16	79 3/4	
3090	21.25	23.80	85.41	12.60	14.12	S	S	15.49	13.63	26 11/16	85 3/4	
3096	21.25	23.80	91.41	13.49	15.11	S	S	16.58	14.61	26 11/16	91 3/4	
3224	23.25	25.80	19.41	3.13	3.48	-	-	3.79	3.10	28 11/16	19 3/4	
3230	23.25	25.80	25.41	4.10	4.55	-	-	4.96	4.16	28 11/16	25 3/4	
3236	23.25	25.80	31.41	5.07	5.63	S	-	6.13	5.22	28 11/16	31 3/4	
3242	23.25	25.80	37.41	6.04	6.70	S	S	7.31	6.29	28 11/16	37 3/4	
3248	23.25	25.80	43.41	7.01	7.78	S	S	8.48	7.35	28 11/16	43 3/4	
3254	23.25	25.80	49.41	7.98	8.85	S	S	9.65	8.41	28 11/16	49 3/4	
3260	23.25	25.80	55.41	8.95	9.93	S	S	10.82	9.47	28 11/16	55 3/4	
3266	23.25	25.80	61.41	9.92	11.00	S	S	11.99	10.54	28 11/16	61 3/4	
3272	23.25	25.80	67.41	10.88	12.08	S	S	13.17	11.60	28 11/16	67 3/4	
3278	23.25	25.80	73.41	11.85	13.15	S	S	14.34	12.66	28 11/16	73 3/4	
3624	27.25	29.80	19.41	3.67	4.02	-	-	4.33	3.59	32 11/16	19 3/4	
3630	27.25	29.80	25.41	4.81	5.26	E	-	5.67	4.81	32 11/16	25 3/4	
3636	27.25	29.80	31.41	5.94	6.50	S	S	7.01	6.04	32 11/16	31 3/4	
3642	27.25	29.80	37.41	7.08	7.74	S	S	8.34	7.27	32 11/16	37 3/4	
3648	27.25	29.80	43.41	8.21	8.98	S	S	9.68	8.50	32 11/16	43 3/4	
3654	27.25	29.80	49.41	9.35	10.23	S	S	11.02	9.73	32 11/16	49 3/4	
3660	27.25	29.80	55.41	10.49	11.47	S	S	12.36	10.96	32 11/16	55 3/4	
3666	27.25	29.80	61.41	11.62	12.71	S	S	13.70	12.19	32 11/16	61 3/4	
3672	27.25	29.80	67.41	12.76	13.95	S	S	15.04	13.42	32 11/16	67 3/4	



#### Egress Conversions

Standard Hardware	Width	Frame - 8.75"
	Height	Frame - 4.59"
Egress Hardware	Width	Frame - 6.20"
	Height	Frame - 4.59"

**\* Egress Code Compliance Terminology**

**E** Meets Code with Egress Hardware Only  
**S** Meets Code with Standard Hardware  
**-** Does Not Meet Code

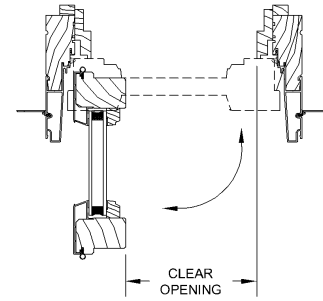
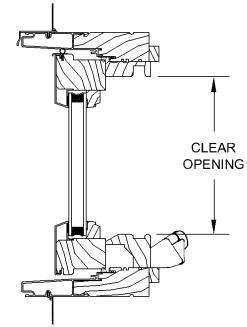
Code Requirements	Min Width	Min Height	Min Area
U.S.	20"	24"	5.7
U.S. Grade Floor	20"	24"	5.0
Canada	15"	15"	3.77

# Pinnacle Select Series

## CLAD CASEMENT - STANDARD SCREEN

### EGRESS, LITE, VENT & SCREEN MEASUREMENTS

Egress, Lite and Vent Measurements												
Casement												
Frame Size	Egress Width		Egress Height	Sq. Ft. Egress		Egress Code Compliance*			Sq. Ft. Vent	Sq. Ft. Daylite	Screen Size	
	Std. HRDW	Egress HRDW		Std. HRDW	Egress HRDW	U.S.		Canada			Width	Height
						5.0 ft <sup>2</sup>	5.7 ft <sup>2</sup>					
4224	33.25	35.80	19.41	4.48	4.83	-	-	S	5.14	4.31	38 11/16	19 3/4
4230	33.25	35.80	25.41	5.87	6.32	S	S	S	6.73	5.79	38 11/16	25 3/4
4236	33.25	35.80	31.41	7.25	7.81	S	S	S	8.31	7.27	38 11/16	31 3/4
4242	33.25	35.80	37.41	8.64	9.30	S	S	S	9.90	8.75	38 11/16	37 3/4
4248	33.25	35.80	43.41	10.02	10.79	S	S	S	11.49	10.23	38 11/16	43 3/4
4254	33.25	35.80	49.41	11.41	12.28	S	S	S	13.08	11.71	38 11/16	49 3/4
4260	33.25	35.80	55.41	12.79	13.78	S	S	S	14.67	13.19	38 11/16	55 3/4
4266	33.25	35.80	61.41	14.18	15.27	S	S	S	16.26	14.67	38 11/16	61 3/4



#### Egress Conversions

Standard Hardware	Width	Frame - 8.75"
	Height	Frame - 4.59"
Egress Hardware	Width	Frame - 6.20"
	Height	Frame - 4.59"

#### \* Egress Code Compliance Terminology

- E Meets Code with Egress Hardware Only
- S Meets Code with Standard Hardware
- Does Not Meet Code

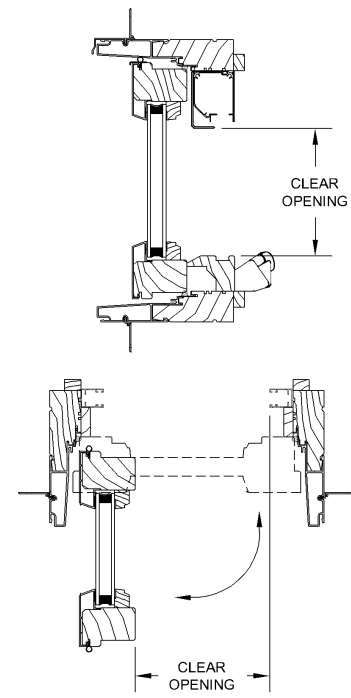
Code Requirements	Min Width	Min Height	Min Area
U.S.	20"	24"	5.7
U.S. Grade Floor	20"	24"	5.0
Canada	15"	15"	3.77

# Pinnacle Select Series

## CLAD CASEMENT - RETRACTABLE SCREEN

### EGRESS, LITE, VENT & SCREEN MEASUREMENTS

Egress, Lite and Vent Measurements												
Casement												
Frame Size	Egress Width		Egress Height	Sq. Ft. Egress		Egress Code Compliance*			Sq. Ft. Vent	Sq. Ft. Daylite	Screen Size	
	Std. HRDW	Egress HRDW		Std. HRDW	Egress HRDW	U.S.		Canada			Width	Height
						5.0 ft <sup>2</sup>	5.7 ft <sup>2</sup>					
1824	8.70		17.91	1.08	-	-	-	1.59	1.37	14 11/16	17 15/16	
1830	8.70		23.91	1.44	-	-	-	2.13	1.85	14 11/16	23 15/16	
1836	8.70		29.91	1.81	-	-	-	2.66	2.33	14 11/16	29 15/16	
1842	8.70		35.91	2.17	-	-	-	3.20	2.81	14 11/16	35 15/16	
1848	8.70		41.91	2.53	-	-	-	3.74	3.29	14 11/16	41 15/16	
1854	8.70		47.91	2.89	-	-	-	4.28	3.77	14 11/16	47 15/16	
1860	8.70		53.91	3.26	-	-	-	4.81	4.25	14 11/16	53 15/16	
1866	8.70		59.91	3.62	-	-	-	5.35	4.73	14 11/16	59 15/16	
1872	8.70		65.91	3.98	-	-	-	5.89	5.20	14 11/16	65 15/16	
1878	8.70		71.91	4.34	-	-	-	6.43	5.68	14 11/16	71 15/16	
1884	8.70		77.91	4.70	-	-	-	6.96	6.16	14 11/16	77 15/16	
1890	8.70		83.91	5.07	-	-	-	7.50	6.64	14 11/16	83 15/16	
1896	8.70		89.91	5.43	-	-	-	8.04	7.12	14 11/16	89 15/16	
2024	10.70		17.91	1.33	-	-	-	1.83	1.61	16 11/16	17 15/16	
2030	10.70		23.91	1.78	-	-	-	2.45	2.17	16 11/16	23 15/16	
2036	10.70		29.91	2.22	-	-	-	3.08	2.73	16 11/16	29 15/16	
2042	10.70		35.91	2.67	-	-	-	3.70	3.30	16 11/16	35 15/16	
2048	10.70		41.91	3.11	-	-	-	4.32	3.86	16 11/16	41 15/16	
2054	10.70		47.91	3.56	-	-	-	4.94	4.42	16 11/16	47 15/16	
2060	10.70		53.91	4.00	-	-	-	5.56	4.98	16 11/16	53 15/16	
2066	10.70		59.91	4.45	-	-	-	6.18	5.55	16 11/16	59 15/16	
2072	10.70		65.91	4.90	-	-	-	6.80	6.11	16 11/16	65 15/16	
2078	10.70		71.91	5.34	-	-	-	7.42	6.67	16 11/16	71 15/16	
2084	10.70		77.91	5.79	-	-	-	8.04	7.23	16 11/16	77 15/16	
2090	10.70		83.91	6.23	-	-	-	8.66	7.80	16 11/16	83 15/16	
2096	10.70		89.91	6.68	-	-	-	9.28	8.36	16 11/16	89 15/16	
2424	14.70	17.25	17.91	1.83	2.15	-	-	2.33	2.09	20 11/16	17 15/16	
2430	14.70	17.25	23.91	2.44	2.86	-	-	3.11	2.82	20 11/16	23 15/16	
2436	14.70	17.25	29.91	3.05	3.58	-	-	3.90	3.54	20 11/16	29 15/16	
2442	14.70	17.25	35.91	3.66	4.30	-	-	4.69	4.27	20 11/16	35 15/16	
2448	14.70	17.25	41.91	4.28	5.02	-	-	5.48	5.00	20 11/16	41 15/16	
2454	14.70	17.25	47.91	4.89	5.74	-	-	6.26	5.73	20 11/16	47 15/16	
2460	14.70	17.25	53.91	5.50	6.46	-	-	7.05	6.46	20 11/16	53 15/16	
2466	14.70	17.25	59.91	6.11	7.18	-	-	7.84	7.19	20 11/16	59 15/16	
2472	14.70	17.25	65.91	6.73	7.89	-	-	8.63	7.92	20 11/16	65 15/16	
2478	14.70	17.25	71.91	7.34	8.61	-	-	9.41	8.65	20 11/16	71 15/16	
2484	14.70	17.25	77.91	7.95	9.33	-	-	10.20	9.38	20 11/16	77 15/16	
2490	14.70	17.25	83.91	8.56	10.05	-	-	10.99	10.11	20 11/16	83 15/16	
2496	14.70	17.25	89.91	9.18	10.77	-	-	11.78	10.84	20 11/16	89 15/16	
2824	18.70	21.25	17.91	2.33	2.64	-	-	2.82	2.56	24 11/16	17 15/16	
2830	18.70	21.25	23.91	3.10	3.53	-	-	3.77	3.46	24 11/16	23 15/16	
2836	18.70	21.25	29.91	3.88	4.41	-	-	4.73	4.35	24 11/16	29 15/16	
2842	18.70	21.25	35.91	4.66	5.30	E	-	5.68	5.25	24 11/16	35 15/16	
2848	18.70	21.25	41.91	5.44	6.18	E	-	6.64	6.15	24 11/16	41 15/16	
2854	18.70	21.25	47.91	6.22	7.07	E	-	7.59	7.04	24 11/16	47 15/16	
2860	18.70	21.25	53.91	7.00	7.95	E	-	8.54	7.94	24 11/16	53 15/16	
2866	18.70	21.25	59.91	7.78	8.84	E	-	9.50	8.83	24 11/16	59 15/16	
2872	18.70	21.25	65.91	8.56	9.72	E	-	10.45	9.73	24 11/16	65 15/16	
2878	18.70	21.25	71.91	9.34	10.61	E	-	11.41	10.63	24 11/16	71 15/16	
2884	18.70	21.25	77.91	10.11	11.50	E	-	12.36	11.52	24 11/16	77 15/16	
2890	18.70	21.25	83.91	10.89	12.38	E	-	13.31	12.42	24 11/16	83 15/16	
2896	18.70	21.25	89.91	11.67	13.27	E	-	14.27	13.31	24 11/16	89 15/16	
3024	20.70	23.25	17.91	2.57	2.89	-	-	3.07	2.80	26 11/16	17 15/16	
3030	20.70	23.25	23.91	3.44	3.86	-	-	4.10	3.78	26 11/16	23 15/16	
3036	20.70	23.25	29.91	4.30	4.83	-	-	5.14	4.76	26 11/16	29 15/16	
3042	20.70	23.25	35.91	5.16	5.80	S	-	6.18	5.74	26 11/16	35 15/16	
3048	20.70	23.25	41.91	6.02	6.77	S	-	7.22	6.72	26 11/16	41 15/16	
3054	20.70	23.25	47.91	6.89	7.74	S	-	8.25	7.70	26 11/16	47 15/16	
3060	20.70	23.25	53.91	7.75	8.70	S	-	9.29	8.68	26 11/16	53 15/16	
3066	20.70	23.25	59.91	8.61	9.67	S	-	10.33	9.66	26 11/16	59 15/16	
3072	20.70	23.25	65.91	9.47	10.64	S	-	11.36	10.64	26 11/16	65 15/16	
3078	20.70	23.25	71.91	10.34	11.61	S	-	12.40	11.61	26 11/16	71 15/16	
3084	20.70	23.25	77.91	11.20	12.58	S	-	13.44	12.59	26 11/16	77 15/16	
3090	20.70	23.25	83.91	12.06	13.55	S	-	14.48	13.57	26 11/16	83 15/16	
3096	20.70	23.25	89.91	12.92	14.52	S	-	15.51	14.55	26 11/16	89 15/16	
3224	22.70	25.25	17.91	2.82	3.14	-	-	3.31	3.04	28 11/16	17 15/16	
3230	22.70	25.25	23.91	3.77	4.19	-	-	4.43	4.10	28 11/16	23 15/16	
3236	22.70	25.25	29.91	4.72	5.25	E	-	5.55	5.17	28 11/16	29 15/16	
3242	22.70	25.25	35.91	5.66	6.30	S	-	6.67	6.23	28 11/16	35 15/16	
3248	22.70	25.25	41.91	6.61	7.35	S	-	7.79	7.29	28 11/16	41 15/16	
3254	22.70	25.25	47.91	7.55	8.40	S	-	8.92	8.35	28 11/16	47 15/16	
3260	22.70	25.25	53.91	8.50	9.45	S	-	10.04	9.42	28 11/16	53 15/16	
3266	22.70	25.25	59.91	9.44	10.51	S	-	11.16	10.48	28 11/16	59 15/16	
3272	22.70	25.25	65.91	10.39	11.56	S	-	12.28	11.54	28 11/16	65 15/16	
3278	22.70	25.25	71.91	11.34	12.61	S	-	13.40	12.60	28 11/16	71 15/16	
3284	22.70	25.25	77.91	12.28	13.66	S	-	14.52	13.67	28 11/16	77 15/16	
3290	22.70	25.25	83.91	13.23	14.71	S	-	15.64	14.73	28 11/16	83 15/16	
3296	22.70	25.25	89.91	14.17	15.77	S	-	16.76	15.79	28 11/16	89 15/16	



#### Egress Conversions

Standard Hardware	Width	Frame - 9.305"
	Height	Frame - 6.086"
Egress Hardware	Width	Frame - 6.75"
	Height	Frame - 6.086"

#### \* Egress Code Compliance Terminology

- E Meets Code with Egress Hardware Only
- S Meets Code with Standard Hardware
- Does Not Meet Code

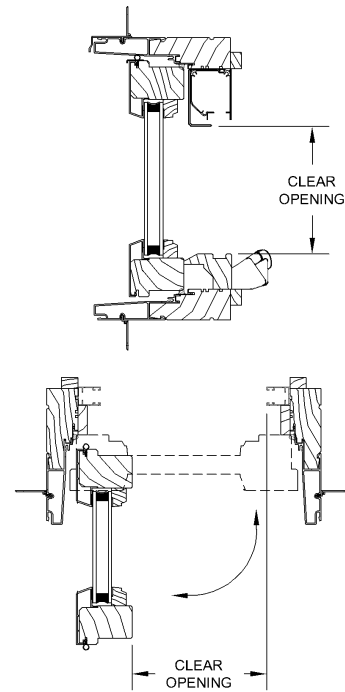
Code Requirements	Min Width	Min Height	Min Area
U.S.	20"	24"	5.7
U.S. Grade Floor	20"	24"	5.0
Canada	15"	15"	3.77

# Pinnacle Select Series

## CLAD CASEMENT - RETRACTABLE SCREEN

### EGRESS, LITE, VENT & SCREEN MEASUREMENTS

Egress, Lite and Vent Measurements												
Casement												
Frame Size	Egress Width		Egress Height	Sq. Ft. Egress		Egress Code Compliance*			Sq. Ft. Vent	Sq. Ft. Daylite	Screen Size	
	Std. HRDW	Egress HRDW		Std. HRDW	Egress HRDW	U.S.		Canada			Width	Height
						5.0 ft <sup>2</sup>	5.7 ft <sup>2</sup>					
3630	26.70	29.25	23.91	4.43	4.86	-	-	S	5.09	4.75	32 11/16	23 15/16
3636	26.70	29.25	29.91	5.55	6.08	S	E	S	6.38	5.98	32 11/16	29 15/16
3642	26.70	29.25	35.91	6.66	7.29	S	S	S	7.67	7.20	32 11/16	35 15/16
3648	26.70	29.25	41.91	7.77	8.51	S	S	S	8.95	8.43	32 11/16	41 15/16
3654	26.70	29.25	47.91	8.88	9.73	S	S	S	10.24	9.66	32 11/16	47 15/16
3660	26.70	29.25	53.91	9.99	10.95	S	S	S	11.53	10.89	32 11/16	53 15/16
3666	26.70	29.25	59.91	11.11	12.17	S	S	S	12.82	12.12	32 11/16	59 15/16
3672	26.70	29.25	65.91	12.22	13.39	S	S	S	14.10	13.35	32 11/16	65 15/16
3678	26.70	29.25	71.91	13.33	14.61	S	S	S	15.39	14.58	32 11/16	71 15/16
4224	26.70	29.25	17.91	3.32	3.64	-	-	-	3.80	3.52	32 11/16	17 15/16
4230	26.70	29.25	23.91	4.43	4.86	-	-	S	5.09	4.75	32 11/16	23 15/16
4236	26.70	29.25	29.91	5.55	6.08	S	E	S	6.38	5.98	32 11/16	29 15/16
4242	26.70	29.25	35.91	6.66	7.29	S	S	S	7.67	7.20	32 11/16	35 15/16
4248	26.70	29.25	41.91	7.77	8.51	S	S	S	8.95	8.43	32 11/16	41 15/16
4254	26.70	29.25	47.91	8.88	9.73	S	S	S	10.24	9.66	32 11/16	47 15/16
4260	26.70	29.25	53.91	9.99	10.95	S	S	S	11.53	10.89	32 11/16	53 15/16
4266	26.70	29.25	59.91	11.11	12.17	S	S	S	12.82	12.12	32 11/16	59 15/16



#### Egress Conversions

Standard Hardware	Width	Frame - 9.305"
	Height	Frame - 6.086"
Egress Hardware	Width	Frame - 6.75"
	Height	Frame - 6.086"

#### \* Egress Code Compliance Terminology

- E Meets Code with Egress Hardware Only
- S Meets Code with Standard Hardware
- Does Not Meet Code

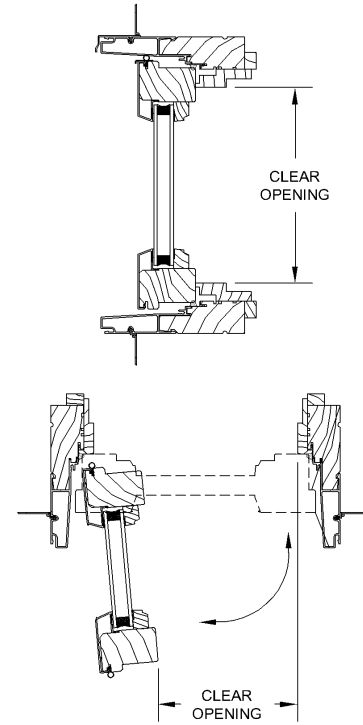
Code Requirements	Min Width	Min Height	Min Area
U.S.	20"	24"	5.7
U.S. Grade Floor	20"	24"	5.0
Canada	15"	15"	3.77

# Pinnacle Select Series

## CLAD CASEMENT PUSH-OUT (NO SCREEN)

### EGRESS, LITE, VENT & SCREEN MEASUREMENTS

Egress, Lite and Vent Measurements										
Casement										
Frame Size	Egress Width		Egress Height	Sq. Ft. Egress		Egress Code Compliance*			Sq. Ft. Vent	Sq. Ft. Daylite
	Std. HRDW	Egress HRDW		Std. HRDW	Egress HRDW	U.S.		Canada		
						5.0 ft <sup>2</sup>	5.7 ft <sup>2</sup>			
1824	7.77		20.13	1.09		-	-	-	2.06	1.66
1830	7.77		26.13	1.41		-	-	-	2.68	2.19
1836	7.77		32.13	1.73		-	-	-	3.29	2.72
1842	7.77		38.13	2.06		-	-	-	3.91	3.25
1848	7.77		44.13	2.38		-	-	-	4.52	3.79
1854	7.77		50.13	2.70		-	-	-	5.13	4.32
1860	7.77		56.13	3.03		-	-	-	5.75	4.85
1866	7.77		62.13	3.35		-	-	-	6.36	5.38
1872	7.77		68.13	3.67		-	-	-	6.98	5.91
1878	7.77		74.13	4.00		-	-	-	7.59	6.44
2024	9.59		20.13	1.34		-	-	-	2.34	1.92
2030	9.59		26.13	1.74		-	-	-	3.04	2.54
2036	9.59		32.13	2.14		-	-	-	3.74	3.15
2042	9.59		38.13	2.54		-	-	-	4.43	3.76
2048	9.59		44.13	2.94		-	-	-	5.13	4.38
2054	9.59		50.13	3.34		-	-	-	5.83	4.99
2060	9.59		56.13	3.74		-	-	-	6.53	5.61
2066	9.59		62.13	4.14		-	-	-	7.23	6.22
2072	9.59		68.13	4.54		-	-	-	7.92	6.84
2078	9.59		74.13	4.94		-	-	-	8.62	7.45
2424	13.23	15.59	20.13	1.85	2.18	-	-	-	2.90	2.44
2430	13.23	15.59	26.13	2.40	2.83	-	-	-	3.76	3.22
2436	13.23	15.59	32.13	2.95	3.48	-	-	-	4.63	4.00
2442	13.23	15.59	38.13	3.50	4.13	-	-	E	5.49	4.79
2448	13.23	15.59	44.13	4.06	4.78	-	-	E	6.36	5.57
2454	13.23	15.59	50.13	4.61	5.43	-	-	E	7.22	6.35
2460	13.23	15.59	56.13	5.16	6.07	-	-	E	8.09	7.13
2466	13.23	15.59	62.13	5.71	6.72	-	-	E	8.95	7.91
2472	13.23	15.59	68.13	6.26	7.37	-	-	E	9.82	8.69
2478	13.23	15.59	74.13	6.81	8.02	-	-	E	10.68	9.47
2824	16.88	19.20	20.13	2.36	2.68	-	-	-	3.46	2.96
2830	16.88	19.20	26.13	3.06	3.48	-	-	-	4.49	3.91
2836	16.88	19.20	32.13	3.77	4.28	-	-	E	5.52	4.86
2842	16.88	19.20	38.13	4.47	5.08	-	-	S	6.55	5.81
2848	16.88	19.20	44.13	5.17	5.88	-	-	S	7.58	6.75
2854	16.88	19.20	50.13	5.88	6.68	-	-	S	8.62	7.70
2860	16.88	19.20	56.13	6.58	7.48	-	-	S	9.65	8.65
2866	16.88	19.20	62.13	7.28	8.28	-	-	S	10.68	9.60
2872	16.88	19.20	68.13	7.99	9.08	-	-	S	11.71	10.55
2878	16.88	19.20	74.13	8.69	9.88	-	-	S	12.74	11.49
3024	18.70	21.01	20.13	2.61	2.94	-	-	-	3.74	3.22
3030	18.70	21.01	26.13	3.39	3.81	-	-	E	4.85	4.25
3036	18.70	21.01	32.13	4.17	4.69	-	-	S	5.97	5.29
3042	18.70	21.01	38.13	4.95	5.56	E	-	S	7.08	6.32
3048	18.70	21.01	44.13	5.73	6.44	E	E	S	8.20	7.35
3054	18.70	21.01	50.13	6.51	7.31	E	E	S	9.31	8.38
3060	18.70	21.01	56.13	7.29	8.19	E	E	S	10.43	9.41
3066	18.70	21.01	62.13	8.07	9.06	E	E	S	11.54	10.44
3072	18.70	21.01	68.13	8.85	9.94	E	E	S	12.66	11.47
3078	18.70	21.01	74.13	9.63	10.82	E	E	S	13.78	12.50
3624	23.39	26.44	20.13	3.27	3.69	-	-	-	4.58	4.00
3630	23.39	26.44	26.13	4.24	4.80	-	-	S	5.94	5.29
3636	23.39	26.44	32.13	5.22	5.90	S	E	S	7.31	6.57
3642	23.39	26.44	38.13	6.19	7.00	S	S	S	8.67	7.85
3648	23.39	26.44	44.13	7.17	8.10	S	S	S	10.04	9.13
3654	23.39	26.44	50.13	8.14	9.20	S	S	S	11.40	10.41
3660	23.39	26.44	56.13	9.12	10.30	S	S	S	12.76	11.69
3666	23.39	26.44	62.13	10.09	11.40	S	S	S	14.13	12.97
3672	23.39	26.44	68.13	11.07	12.51	S	S	S	15.49	14.25
3678	23.39	26.44	74.13	12.04	13.61	S	S	S	16.85	15.53



#### Egress Conversions

Standard Hardware	Width	Varies
	Height	Frame - 3.875"
Egress Hardware	Width	Varies
	Height	Frame - 3.875"

#### \* Egress Code Compliance Terminology

- E** Meets Code with Egress Hardware Only
- S** Meets Code with Standard Hardware
- Does Not Meet Code

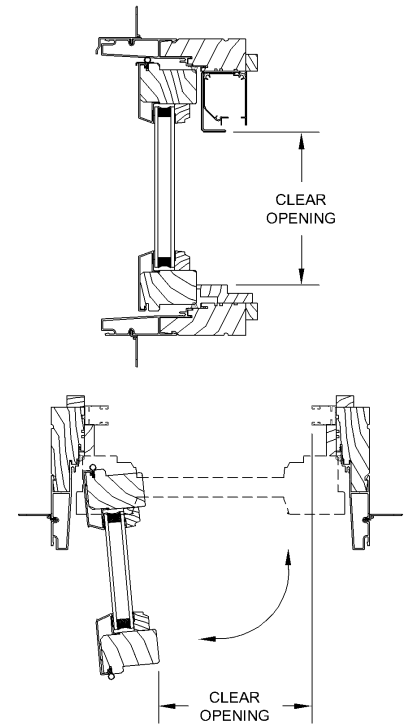
Code Requirements	Min Width	Min Height	Min Area
U.S.	20"	24"	5.7
U.S. Grade Floor	20"	24"	5.0
Canada	15"	15"	3.77

# Pinnacle Select Series

## CLAD CASEMENT PUSH-OUT (RETRACTABLE SCREEN)

### EGRESS, LITE, VENT & SCREEN MEASUREMENTS

Egress, Lite and Vent Measurements												
Casement												
Frame Size	Egress Width		Egress Height	Sq. Ft. Egress		Egress Code Compliance*			Sq. Ft. Vent	Sq. Ft. Daylite	Screen Size	
	Std. HRDW	Egress HRDW		Std. HRDW	Egress HRDW	U.S.		Canada			Width	Height
						5.0 ft <sup>2</sup>	5.7 ft <sup>2</sup>					
1824	7.27		17.32	0.87		-	-	-	1.64	1.66	15 7/16	19
1830	7.27		23.32	1.18		-	-	-	2.21	2.19	15 7/16	25
1836	7.27		29.32	1.48		-	-	-	2.78	2.72	15 7/16	31
1842	7.27		35.32	1.78		-	-	-	3.35	3.25	15 7/16	37
1848	7.27		41.32	2.09		-	-	-	3.92	3.79	15 7/16	43
1854	7.27		47.32	2.39		-	-	-	4.49	4.32	15 7/16	49
1860	7.27		53.32	2.69		-	-	-	5.05	4.85	15 7/16	55
1866	7.27		59.32	3.00		-	-	-	5.62	5.38	15 7/16	61
1872	7.27		65.32	3.30		-	-	-	6.19	5.91	15 7/16	67
1878	7.27		71.32	3.60		-	-	-	6.76	6.44	15 7/16	73
2024	9.10		17.32	1.09		-	-	-	1.88	1.92	17 7/16	19
2030	9.10		23.32	1.47		-	-	-	2.53	2.54	17 7/16	25
2036	9.10		29.32	1.85		-	-	-	3.19	3.15	17 7/16	31
2042	9.10		35.32	2.23		-	-	-	3.84	3.76	17 7/16	37
2048	9.10		41.32	2.61		-	-	-	4.49	4.38	17 7/16	43
2054	9.10		47.32	2.99		-	-	-	5.14	4.99	17 7/16	49
2060	9.10		53.32	3.37		-	-	-	5.79	5.61	17 7/16	55
2066	9.10		59.32	3.75		-	-	-	6.45	6.22	17 7/16	61
2072	9.10		65.32	4.13		-	-	-	7.10	6.84	17 7/16	67
2078	9.10		71.32	4.51		-	-	-	7.75	7.45	17 7/16	73
2424	12.74	15.09	17.32	1.53	1.82	-	-	-	2.36	2.44	21 7/16	19
2430	12.74	15.09	23.32	2.06	2.44	-	-	-	3.18	3.22	21 7/16	25
2436	12.74	15.09	29.32	2.59	3.07	-	-	-	4.00	4.00	21 7/16	31
2442	12.74	15.09	35.32	3.13	3.70	-	-	-	4.82	4.79	21 7/16	37
2448	12.74	15.09	41.32	3.66	4.33	-	-	E	5.64	5.57	21 7/16	43
2454	12.74	15.09	47.32	4.19	4.96	-	-	E	6.46	6.35	21 7/16	49
2460	12.74	15.09	53.32	4.72	5.59	-	-	E	7.28	7.13	21 7/16	55
2466	12.74	15.09	59.32	5.25	6.22	-	-	E	8.09	7.91	21 7/16	61
2472	12.74	15.09	65.32	5.78	6.85	-	-	E	8.91	8.69	21 7/16	67
2478	12.74	15.09	71.32	6.31	7.48	-	-	E	9.73	9.47	21 7/16	73
2824	16.39	18.71	17.32	1.97	2.25	-	-	-	2.84	2.96	25 7/16	19
2830	16.39	18.71	23.32	2.65	3.03	-	-	-	3.83	3.91	25 7/16	25
2836	16.39	18.71	29.32	3.34	3.81	-	-	E	4.82	4.86	25 7/16	31
2842	16.39	18.71	35.32	4.02	4.59	-	-	S	5.80	5.81	25 7/16	37
2848	16.39	18.71	41.32	4.70	5.37	-	-	S	6.79	6.75	25 7/16	43
2854	16.39	18.71	47.32	5.39	6.15	-	-	S	7.77	7.70	25 7/16	49
2860	16.39	18.71	53.32	6.07	6.93	-	-	S	8.76	8.65	25 7/16	55
2866	16.39	18.71	59.32	6.75	7.71	-	-	S	9.74	9.60	25 7/16	61
2872	16.39	18.71	65.32	7.43	8.49	-	-	S	10.73	10.55	25 7/16	67
2878	16.39	18.71	71.32	8.12	9.27	-	-	S	11.71	11.49	25 7/16	73
3024	18.21	20.52	17.32	2.19	2.47	-	-	-	3.09	3.22	27 7/16	19
3030	18.21	20.52	23.32	2.95	3.32	-	-	-	4.15	4.25	27 7/16	25
3036	18.21	20.52	29.32	3.71	4.18	-	-	E	5.22	5.29	27 7/16	31
3042	18.21	20.52	35.32	4.47	5.03	E	-	S	6.29	6.32	27 7/16	37
3048	18.21	20.52	41.32	5.23	5.89	E	E	S	7.36	7.35	27 7/16	43
3054	18.21	20.52	47.32	5.98	6.74	E	E	S	8.43	8.38	27 7/16	49
3060	18.21	20.52	53.32	6.74	7.60	E	E	S	9.50	9.41	27 7/16	55
3066	18.21	20.52	59.32	7.50	8.45	E	E	S	10.57	10.44	27 7/16	61
3072	18.21	20.52	65.32	8.26	9.31	E	E	S	11.64	11.47	27 7/16	67
3078	18.21	20.52	71.32	9.02	10.16	E	E	S	12.71	12.50	27 7/16	73
3624	22.90	25.94	17.32	2.75	3.12	-	-	-	3.81	4.00	33 7/16	19
3630	22.90	25.94	23.32	3.71	4.20	-	-	E	5.13	5.29	33 7/16	25
3636	22.90	25.94	29.32	4.66	5.28	E	-	S	6.44	6.57	33 7/16	31
3642	22.90	25.94	35.32	5.62	6.36	S	E	S	7.76	7.85	33 7/16	37
3648	22.90	25.94	41.32	6.57	7.44	S	S	S	9.08	9.13	33 7/16	43
3654	22.90	25.94	47.32	7.53	8.53	S	S	S	10.40	10.41	33 7/16	49
3660	22.90	25.94	53.32	8.48	9.61	S	S	S	11.72	11.69	33 7/16	55
3666	22.90	25.94	59.32	9.43	10.69	S	S	S	13.04	12.97	33 7/16	61
3672	22.90	25.94	65.32	10.39	11.77	S	S	S	14.36	14.25	33 7/16	67
3678	22.90	25.94	71.32	11.34	12.85	S	S	S	15.68	15.53	33 7/16	73



#### Egress Conversions

Standard Hardware	Width	Varies
	Height	Frame - 6.680"
Egress Hardware	Width	Varies
	Height	Frame - 6.680"

#### \* Egress Code Compliance Terminology

- E** Meets Code with Egress Hardware Only
- S** Meets Code with Standard Hardware
- Does Not Meet Code

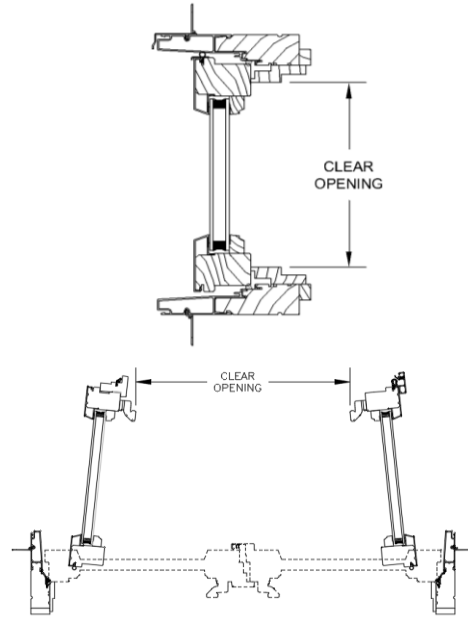
Code Requirements	Min Width	Min Height	Min Area
U.S.	20"	24"	5.7
U.S. Grade Floor	20"	24"	5.0
Canada	15"	15"	3.77

# Pinnacle Select Series

## CLAD FRENCH CASEMENT PUSH-OUT (NO SCREEN)

### EGRESS, LITE, VENT & SCREEN MEASUREMENTS

Egress, Lite and Vent Measurements										
Casement										
Frame Size	Egress Width		Egress Height	Sq. Ft. Egress		Egress Code Compliance*			Sq. Ft. Vent	Sq. Ft. Daylite
	Std. HRDW	Egress HRDW		Std. HRDW	Egress HRDW	U.S.		Canada		
						5.0 ft <sup>2</sup>	5.7 ft <sup>2</sup>			
3624	16.45	21.39	20.13	2.30	2.99	-	-	-	2.06	1.48
3630	16.45	21.39	26.13	2.98	3.88	-	-	E	2.68	1.99
3636	16.45	21.39	32.13	3.67	4.77	-	-	E	3.29	2.50
3642	16.45	21.39	38.13	4.36	5.66	E	-	S	3.91	3.01
3648	16.45	21.39	44.13	5.04	6.55	E	E	S	4.52	3.52
3654	16.45	21.39	50.13	5.73	7.44	E	E	S	5.13	4.03
3660	16.45	21.39	56.13	6.41	8.34	E	E	S	5.75	4.54
3666	16.45	21.39	62.13	7.10	9.23	E	E	S	6.36	5.05
3672	16.45	21.39	68.13	7.78	10.12	E	E	S	6.98	5.56
4024	20.10	24.99	20.13	2.81	3.49	-	-	-	2.34	1.73
4030	20.10	24.99	26.13	3.65	4.53	-	-	E	3.04	2.32
4036	20.10	24.99	32.13	4.48	5.57	E	-	S	3.74	2.91
4042	20.10	24.99	38.13	5.32	6.62	S	E	S	4.43	3.51
4048	20.10	24.99	44.13	6.16	7.66	S	S	S	5.13	4.10
4054	20.10	24.99	50.13	7.00	8.70	S	S	S	5.83	4.69
4060	10.10	24.99	56.13	3.94	9.74	E	E	E	6.53	5.28
4066	20.10	24.99	62.13	8.67	10.78	S	S	S	7.23	5.88
4072	20.10	24.99	68.13	9.51	11.82	S	S	S	7.92	6.47
4824	27.41	32.24	20.13	3.83	4.51	-	-	S	2.90	2.21
4830	27.41	32.24	26.13	4.97	5.85	E	E	S	3.76	2.97
4836	27.41	32.24	32.13	6.11	7.19	S	S	S	4.63	3.73
4842	27.41	32.24	38.13	7.26	8.53	S	S	S	5.49	4.49
4848	27.41	32.24	44.13	8.40	9.88	S	S	S	6.36	5.25
4854	27.41	32.24	50.13	9.54	11.22	S	S	S	7.22	6.01
4860	27.41	32.24	56.13	10.68	12.56	S	S	S	8.09	6.77
4866	27.41	32.24	62.13	11.82	13.91	S	S	S	8.95	7.53
4872	27.41	32.24	68.13	12.97	15.25	S	S	S	9.82	8.29
5624	34.71	39.47	20.13	4.85	5.52	-	-	S	3.46	2.70
5630	34.71	39.47	26.13	6.30	7.16	S	S	S	4.49	3.63
5636	34.71	39.47	32.13	7.74	8.81	S	S	S	5.52	4.55
5642	34.71	39.47	38.13	9.19	10.45	S	S	S	6.55	5.48
5648	34.71	39.47	44.13	10.64	12.09	S	S	S	7.58	6.40
5654	34.71	39.47	50.13	12.08	13.74	S	S	S	8.62	7.33
5660	34.71	39.47	56.13	13.53	15.38	S	S	S	9.65	8.25
5666	34.71	39.47	62.13	14.97	17.03	S	S	S	10.68	9.18
5672	34.71	39.47	68.13	16.42	18.67	S	S	S	11.71	10.11
6024	38.36	43.09	20.13	5.36	6.02	-	-	S	3.74	2.94
6030	38.36	43.09	26.13	6.96	7.82	S	S	S	4.85	3.95
6036	38.36	43.09	32.13	8.56	9.61	S	S	S	5.97	4.96
6042	38.36	43.09	38.13	10.16	11.41	S	S	S	7.08	5.97
6048	38.36	43.09	44.13	11.75	13.20	S	S	S	8.20	6.98
6054	38.36	43.09	50.13	13.35	15.00	S	S	S	9.31	7.99
6060	38.36	43.09	56.13	14.95	16.79	S	S	S	10.43	9.00
6066	38.36	43.09	62.13	16.55	18.59	S	S	S	11.54	10.01
6072	38.36	43.09	68.13	18.15	20.38	S	S	S	12.66	11.02



#### Egress Conversions

Standard Hardware	Width	Varies
	Height	Frame - 3.875"
Egress Hardware	Width	Varies
	Height	Frame - 3.875"

#### \* Egress Code Compliance Terminology (Note: Egress Hardware is applied by default for French Casement)

- E Meets Code with Egress Hardware Only
- S Meets Code with Standard Hardware
- Does Not Meet Code

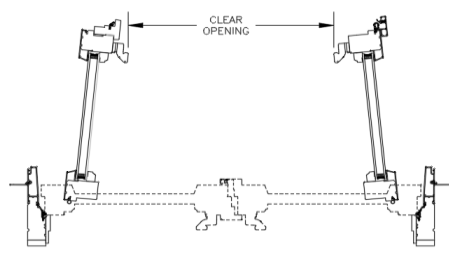
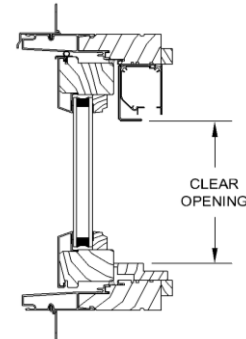
Code Requirements	Min Width	Min Height	Min Area
U.S.	20"	24"	5.7
U.S. Grade Floor	20"	24"	5.0
Canada	15"	15"	3.77

# Pinnacle Select Series

## CLAD FRENCH CASEMENT PUSH-OUT (RETRACTABLE SCREEN)

### EGRESS, LITE, VENT & SCREEN MEASUREMENTS

Egress, Lite and Vent Measurements												
Casement												
Frame Size	Egress Width		Egress Height	Sq. Ft. Egress		Egress Code Compliance*			Sq. Ft. Vent	Sq. Ft. Daylite	Screen Size	
	Std. HRDW	Egress HRDW		Std. HRDW	Egress HRDW	U.S.		Canada			Width	Height
						5.0 ft <sup>2</sup>	5.7 ft <sup>2</sup>					
3624	16.45	21.39	17.32	1.98	2.57	-	-	-	4.06	1.48	33 7/16	19
3630	16.45	21.39	23.32	2.66	3.46	-	-	-	5.38	1.99	33 7/16	25
3636	16.45	21.39	29.32	3.35	4.35	-	-	E	6.70	2.50	33 7/16	31
3642	16.45	21.39	35.32	4.04	5.25	E	-	S	8.02	3.01	33 7/16	37
3648	16.45	21.39	41.32	4.72	6.14	E	E	S	9.34	3.52	33 7/16	43
3654	16.45	21.39	47.32	5.41	7.03	E	E	S	10.65	4.03	33 7/16	49
3660	16.45	21.39	53.32	6.09	7.92	E	E	S	11.97	4.54	33 7/16	55
3666	16.45	21.39	59.32	6.78	8.81	E	E	S	13.29	5.05	33 7/16	61
3672	16.45	21.39	65.32	7.46	9.70	E	E	S	14.61	5.56	33 7/16	67
4024	20.10	24.99	17.32	2.42	3.01	-	-	-	4.57	1.73	37 7/16	19
4030	20.10	24.99	23.32	3.26	4.05	-	-	E	6.06	2.32	37 7/16	25
4036	20.10	24.99	29.32	4.09	5.09	E	-	S	7.54	2.91	37 7/16	31
4042	20.10	24.99	35.32	4.93	6.13	E	E	S	9.03	3.51	37 7/16	37
4048	20.10	24.99	41.32	5.77	7.17	S	S	S	10.52	4.10	37 7/16	43
4054	20.10	24.99	47.32	6.61	8.21	S	S	S	12.00	4.69	37 7/16	49
4060	10.10	24.99	53.32	3.74	9.25	E	E	E	13.49	5.28	37 7/16	55
4066	20.10	24.99	59.32	8.28	10.29	S	S	S	14.97	5.88	37 7/16	61
4072	20.10	24.99	65.32	9.12	11.33	S	S	S	16.46	6.47	37 7/16	67
4824	27.41	32.24	17.32	3.30	3.88	-	-	E	5.60	2.21	45 7/16	19
4830	27.41	32.24	23.32	4.44	5.22	-	-	S	7.42	2.97	45 7/16	25
4836	27.41	32.24	29.32	5.58	6.56	S	E	S	9.24	3.73	45 7/16	31
4842	27.41	32.24	35.32	6.72	7.91	S	S	S	11.06	4.49	45 7/16	37
4848	27.41	32.24	41.32	7.86	9.25	S	S	S	12.88	5.25	45 7/16	43
4854	27.41	32.24	47.32	9.01	10.59	S	S	S	14.69	6.01	45 7/16	49
4860	27.41	32.24	53.32	10.15	11.94	S	S	S	16.51	6.77	45 7/16	55
4866	27.41	32.24	59.32	11.29	13.28	S	S	S	18.33	7.53	45 7/16	61
4872	27.41	32.24	65.32	12.43	14.62	S	S	S	20.15	8.29	45 7/16	67
5624	34.71	39.47	17.32	4.17	4.75	-	-	S	6.63	2.70	53 7/16	19
5630	34.71	39.47	23.32	5.62	6.39	-	-	S	8.78	3.63	53 7/16	25
5636	34.71	39.47	29.32	7.07	8.04	S	S	S	10.93	4.55	53 7/16	31
5642	34.71	39.47	35.32	8.51	9.68	S	S	S	13.08	5.48	53 7/16	37
5648	34.71	39.47	41.32	9.96	11.33	S	S	S	15.24	6.40	53 7/16	43
5654	34.71	39.47	47.32	11.41	12.97	S	S	S	17.39	7.33	53 7/16	49
5660	34.71	39.47	53.32	12.85	14.61	S	S	S	19.54	8.25	53 7/16	55
5666	34.71	39.47	59.32	14.30	16.26	S	S	S	21.69	9.18	53 7/16	61
5672	34.71	39.47	65.32	15.74	17.90	S	S	S	23.84	10.11	53 7/16	67
6024	38.36	43.09	17.32	4.61	5.18	-	-	S	7.14	2.94	57 7/16	19
6030	38.36	43.09	23.32	6.21	6.98	-	-	S	9.46	3.95	57 7/16	25
6036	38.36	43.09	29.32	7.81	8.77	S	S	S	11.78	4.96	57 7/16	31
6042	38.36	43.09	35.32	9.41	10.57	S	S	S	14.10	5.97	57 7/16	37
6048	38.36	43.09	41.32	11.01	12.36	S	S	S	16.42	6.98	57 7/16	43
6054	38.36	43.09	47.32	12.61	14.16	S	S	S	18.73	7.99	57 7/16	49
6060	38.36	43.09	53.32	14.20	15.95	S	S	S	21.05	9.00	57 7/16	55
6066	38.36	43.09	59.32	15.80	17.75	S	S	S	23.37	10.01	57 7/16	61
6072	38.36	43.09	65.32	17.40	19.54	S	S	S	25.69	11.02	57 7/16	67



#### Egress Conversions

Standard Hardware	Width	Varies
		Height
Egress Hardware	Width	Varies
		Height

#### \* Egress Code Compliance Terminology (Note: Egress Hardware is applied by default for French Casement)

- E** Meets Code with Egress Hardware Only
- S** Meets Code with Standard Hardware
- Does Not Meet Code

Code Requirements	Min Width	Min Height	Min Area
U.S.	20"	24"	5.7
U.S. Grade Floor	20"	24"	5.0
Canada	15"	15"	3.77