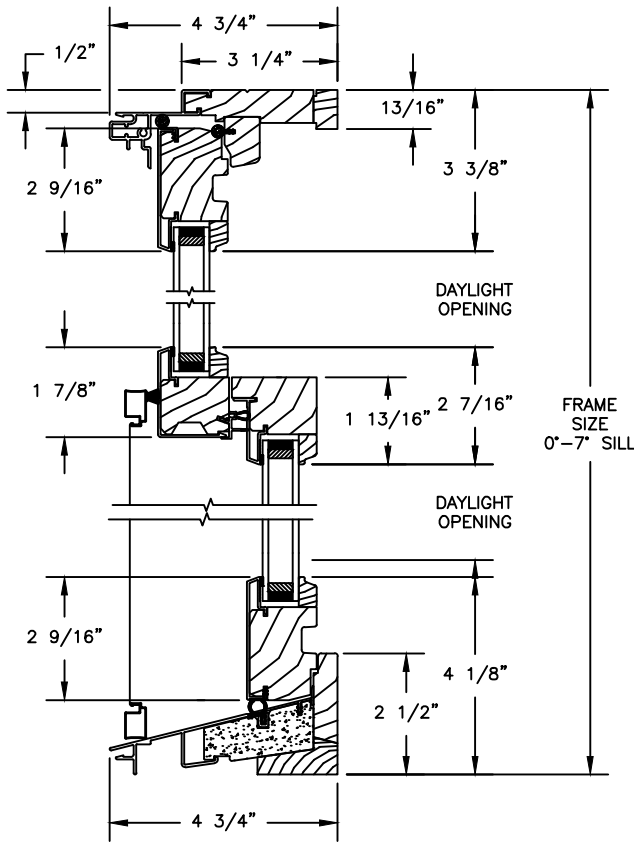


Revive Series

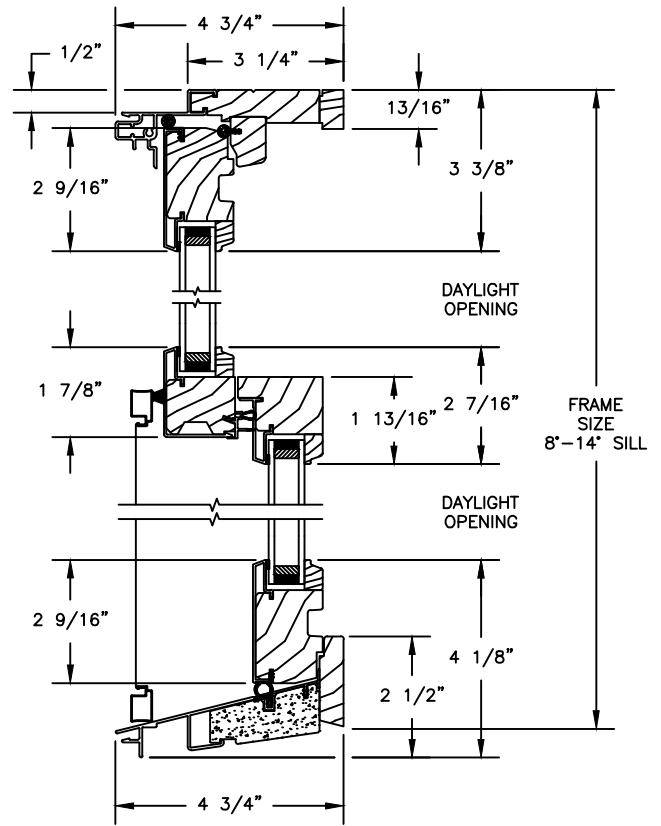
CLAD DOUBLE HUNG

SECTION DETAILS : OPERATING
 SCALE: 3" = 1'-0"

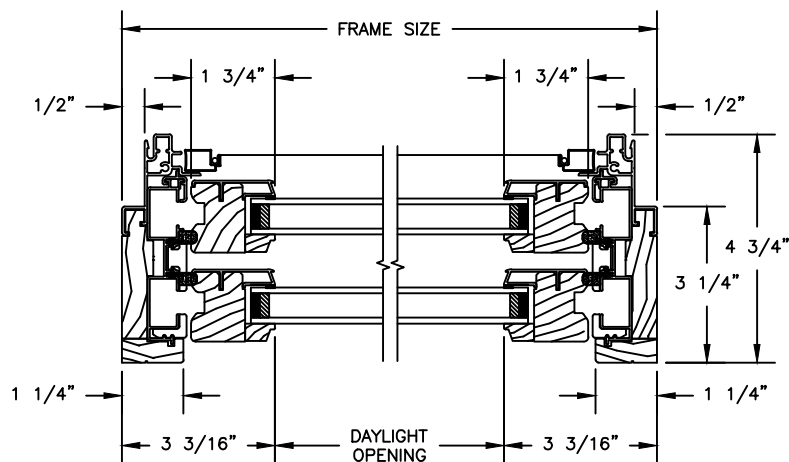
OPERATING



HEAD JAMB & SILL
 (0° TO 7° SILL OPTION)



HEAD JAMB & SILL
 (8° TO 14° SILL OPTION)



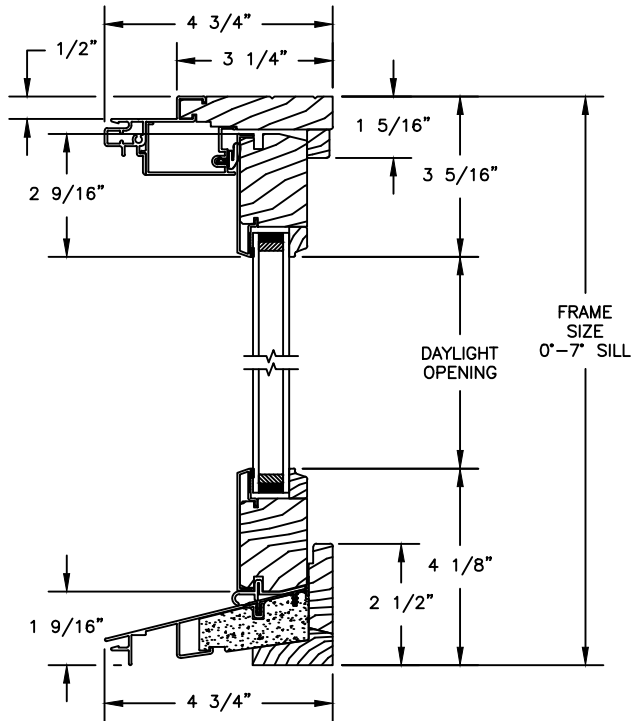
JAMBS

Revive Series

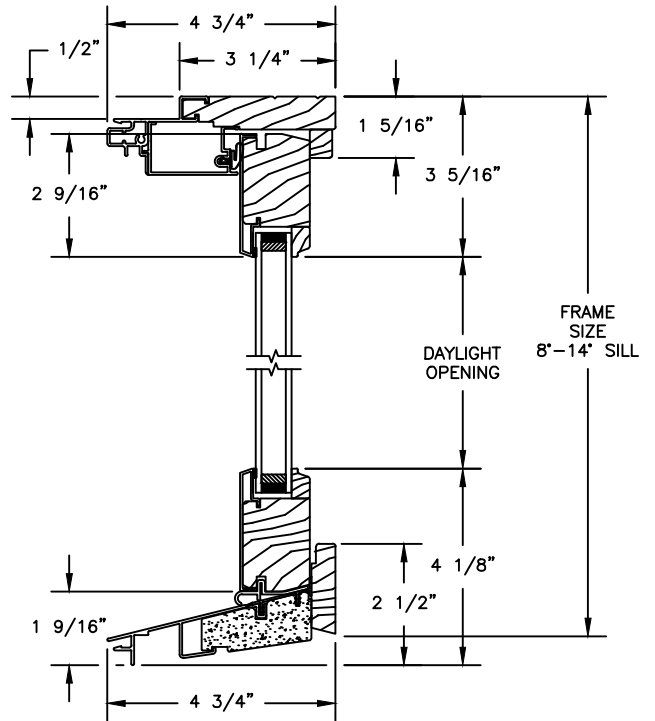
CLAD DOUBLE HUNG

SECTION DETAILS : PICTURE
 SCALE: 3" = 1'-0"

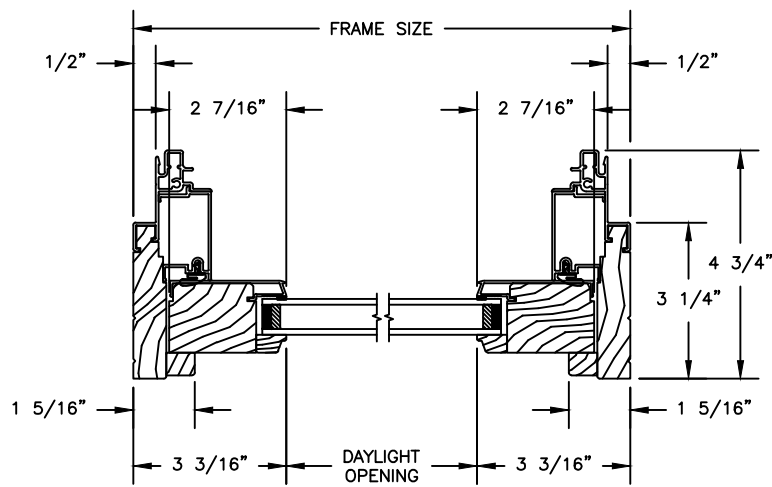
PICTURE



HEAD JAMB & SILL
 (0° TO 7° SILL OPTION)



HEAD JAMB & SILL
 (8° TO 14° SILL OPTION)

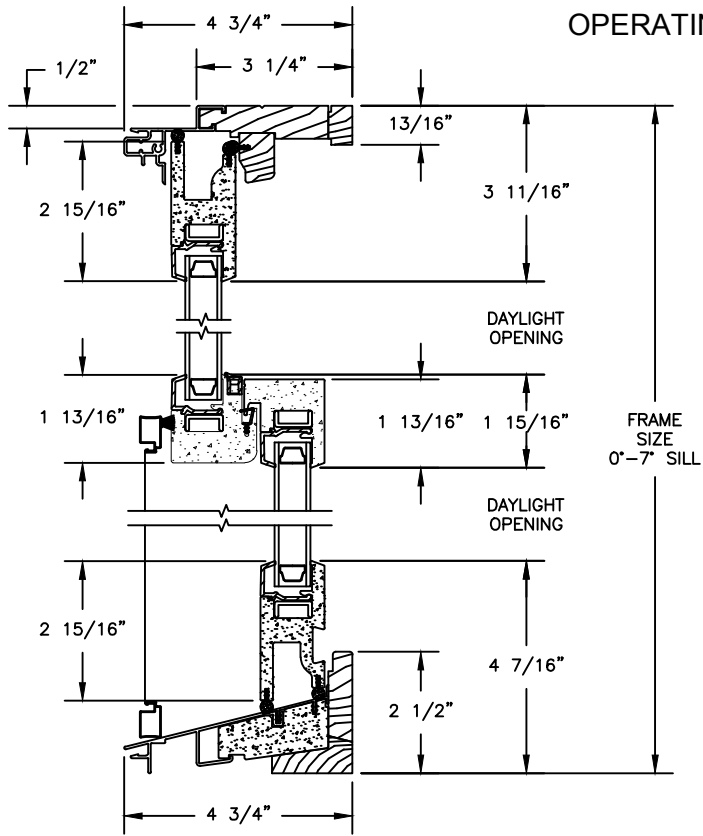


JAMBS

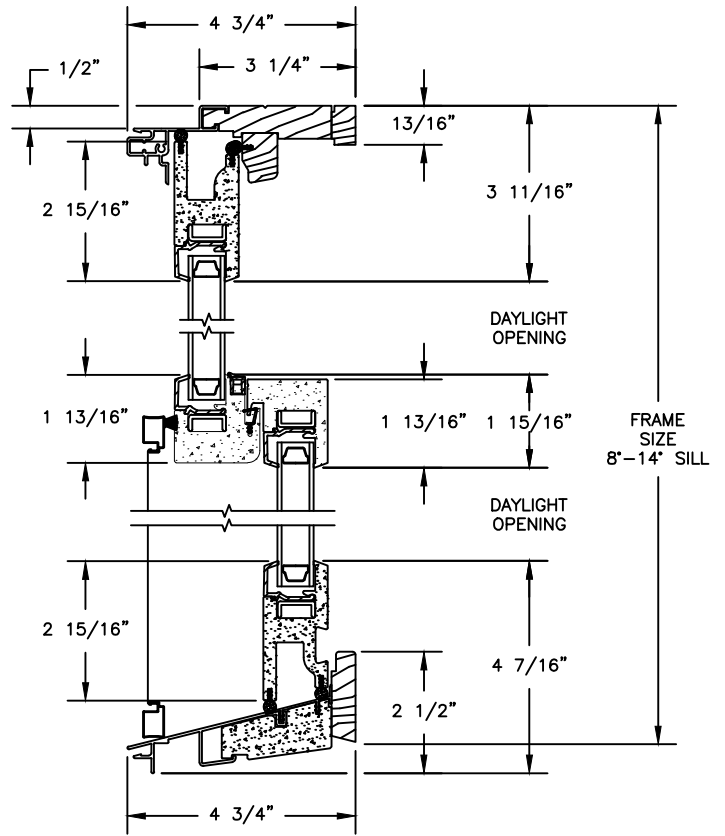
Revive Series

HYBRID DOUBLE HUNG

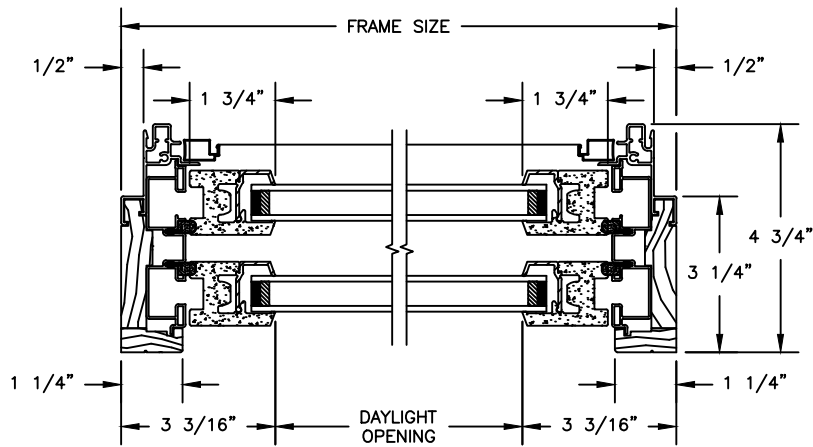
SECTION DETAILS : CLAD FRAME WITH CELLULAR PVC SASH
 SCALE: 3" = 1'-0"



HEAD JAMB & SILL
 (0° TO 7° SILL OPTION)



HEAD JAMB & SILL
 (8° TO 14° SILL OPTION)



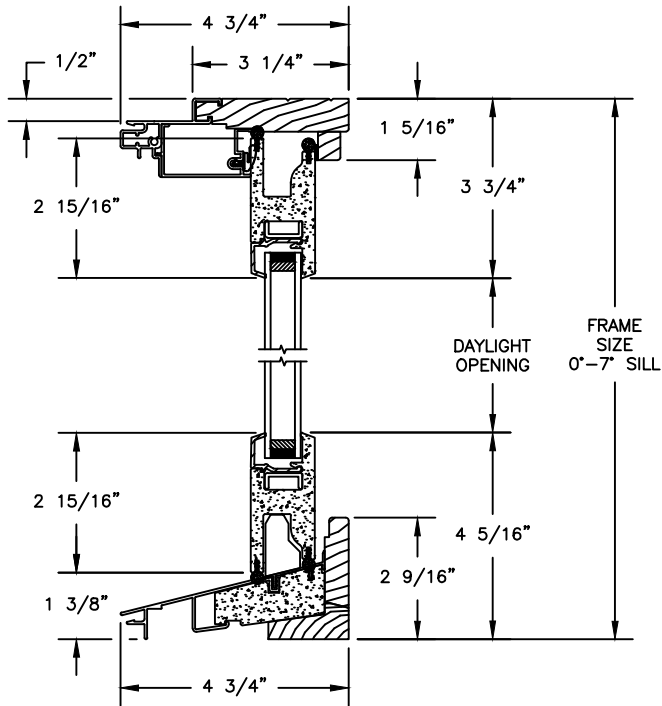
JAMBS

Revive Series

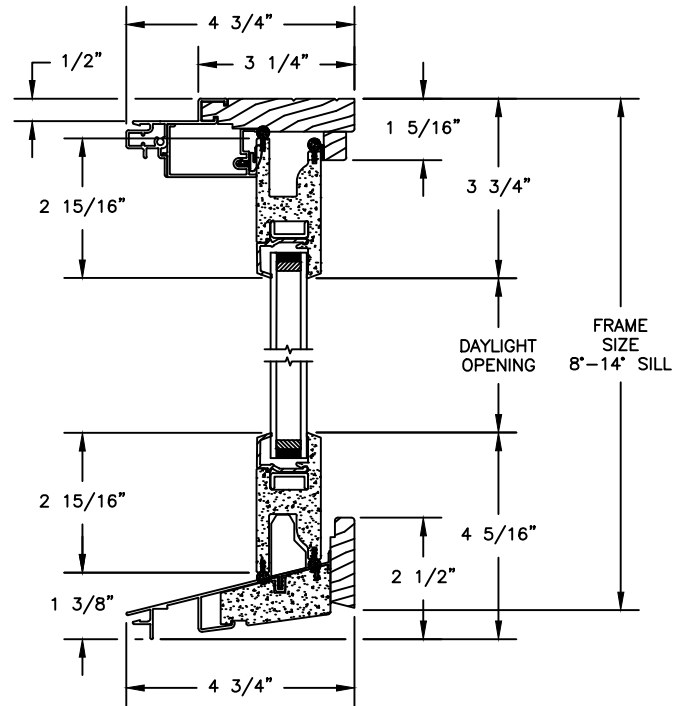
HYBRID DOUBLE HUNG

SECTION DETAILS : CLAD FRAME WITH CELLULAR PVC SASH
 SCALE: 3" = 1'-0"

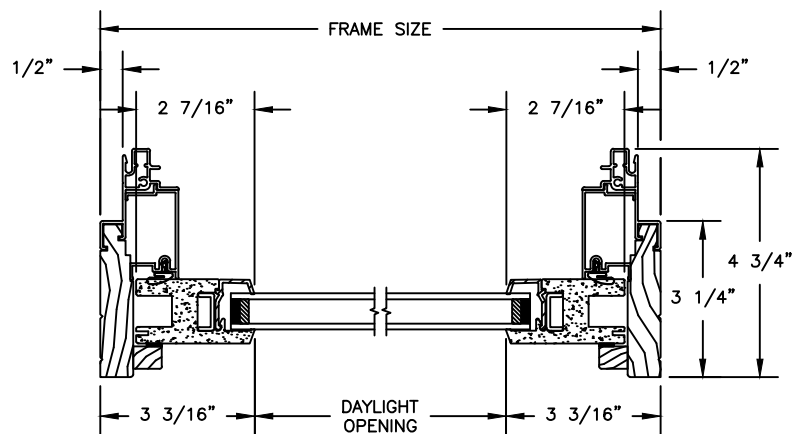
PICTURE



HEAD JAMB & SILL
 (0° TO 7° SILL OPTION)



HEAD JAMB & SILL
 (8° TO 14° SILL OPTION)



JAMBS



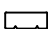
Revive Series

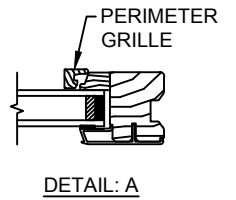
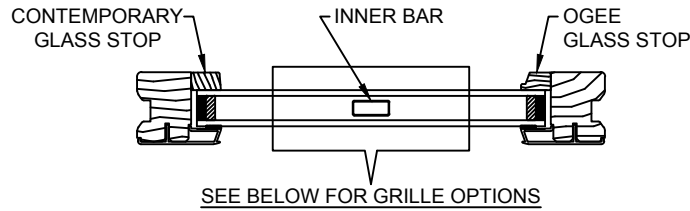
CLAD DOUBLE HUNG

SECTION DETAILS : CLAD DIVIDED LITE OPTIONS

SCALE: 3" = 1'-0"

AVAILABLE STYLES

-  - PUTTY
-  - OGEE
-  - CONTEMPORARY



	5/8" WDL WITH INNER BAR	7/8" WDL WITH INNERBAR	1 1/4" WDL WITH INNERBAR	2" WDL WITH INNERBAR
STANDARD INSULATING GLASS				
13/16" INNERGRILLE				
3/4" PROFILED INNERGRILLE				
1" PROFILED INNERGRILLE				
7/8" STICK GRILLE				
1 1/4" STICK GRILLE				

NOTE:

* ALL WDL OPTIONS CAN BE ORDERED WITH OR WITHOUT INNER BAR



* PERIMETER GRILLES ONLY AVAILABLE IN THE 7/8" AND 1 1/4" OGEE STYLE GLASS STOP (SEE DETAIL: A)

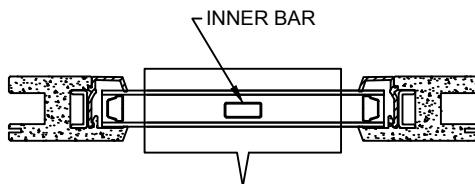
Revive Series

HYBRID DOUBLE HUNG

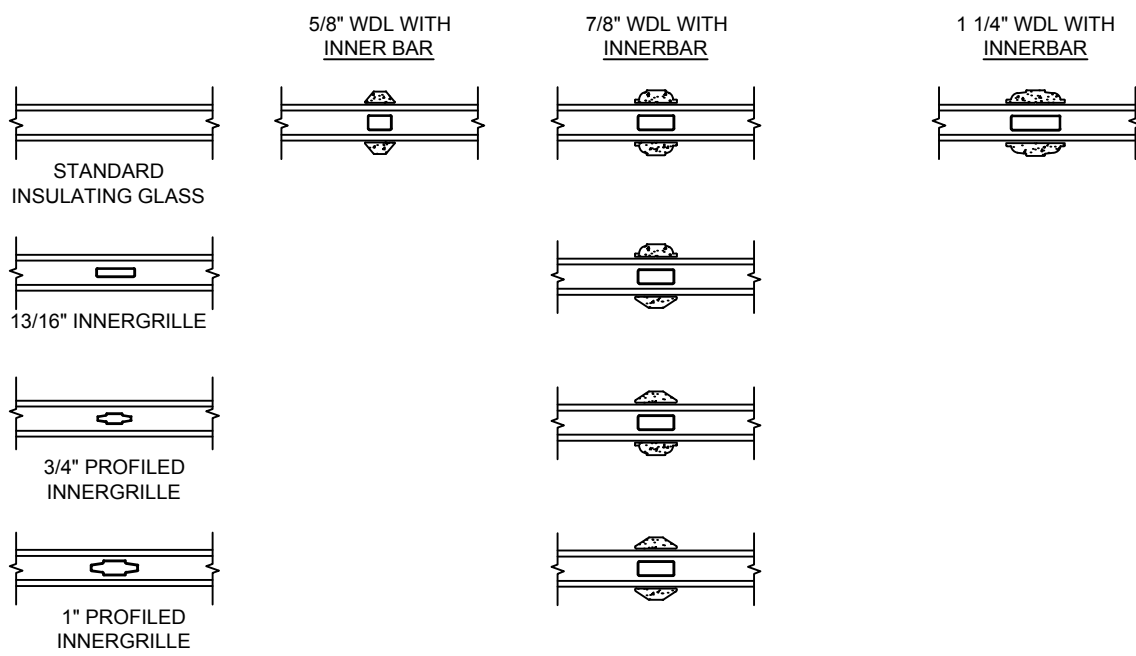
SECTION DETAILS :CELLULAR PVC SASH DIVIDED LITE OPTIONS
 SCALE: 3" = 1'-0"

AVAILABLE STYLES

-  - PUTTY
-  - OGEE



SEE BELOW FOR GRILLE OPTIONS

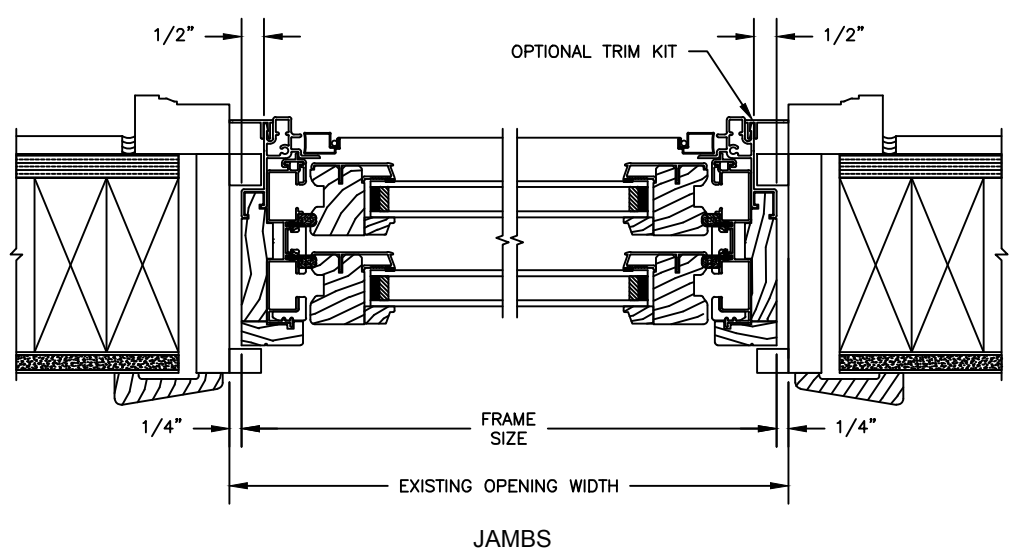
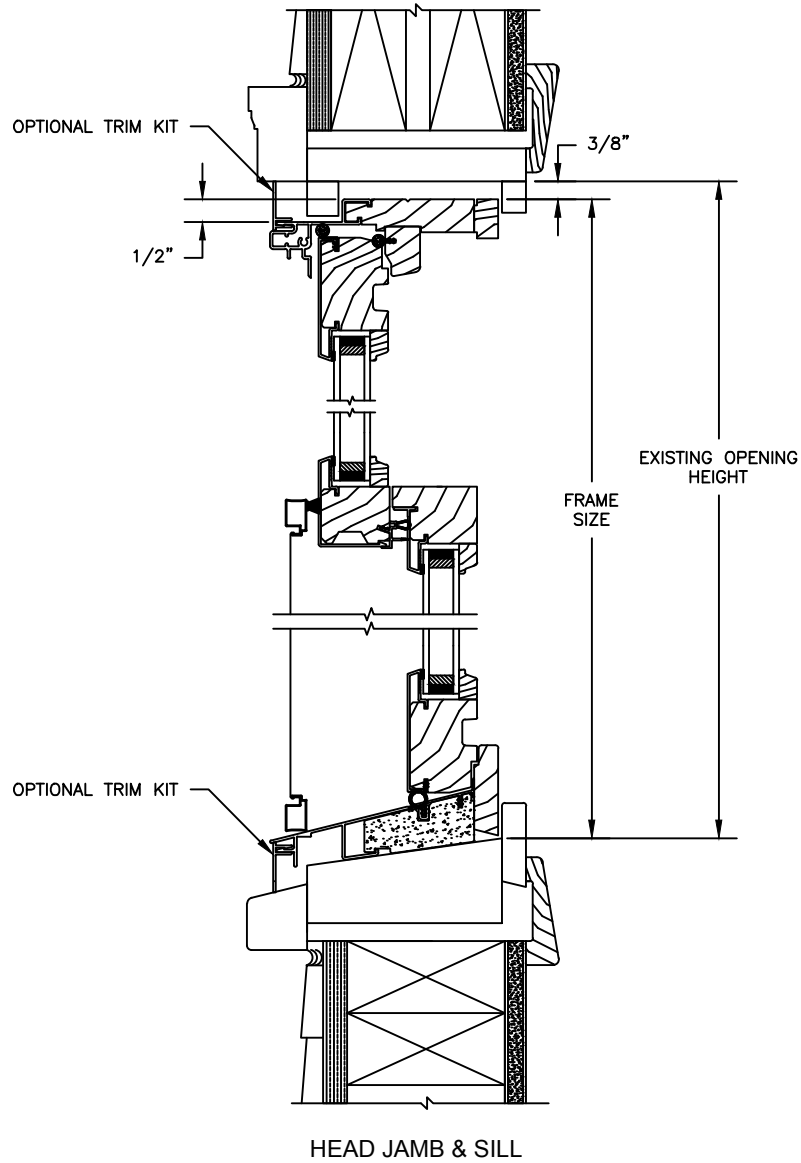


NOTE:

* ALL WDL OPTIONS CAN BE ORDERED WITH OR WITHOUT INNER BAR

Revive Series CLAD DOUBLE HUNG

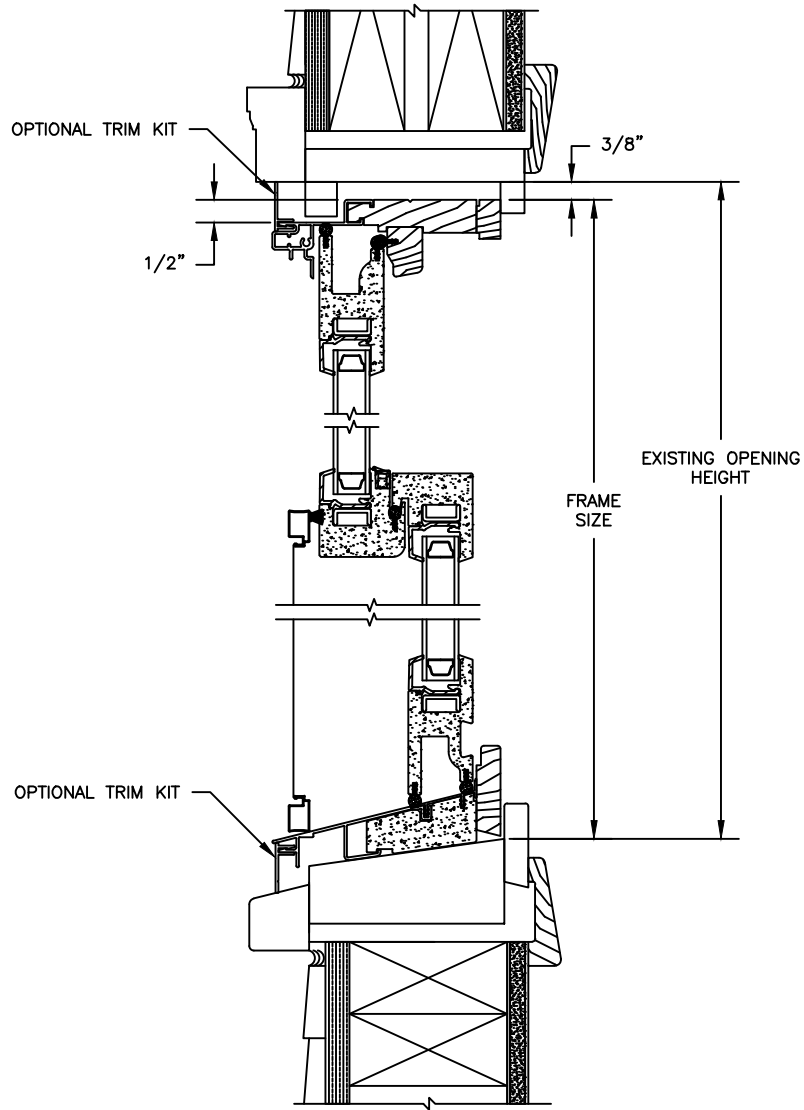
SECTION DETAILS : CONSTRUCTION
SCALE: 3" = 1'-0"



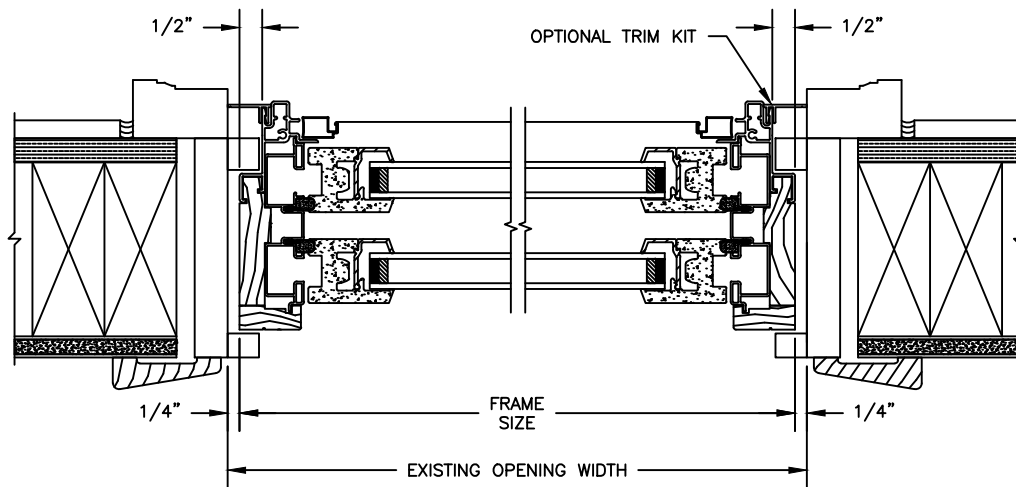
Revive Series

HYBRID DOUBLE HUNG

SECTION DETAILS : CONSTRUCTION
SCALE: 3" = 1'-0"



HEAD JAMB & SILL



JAMBS