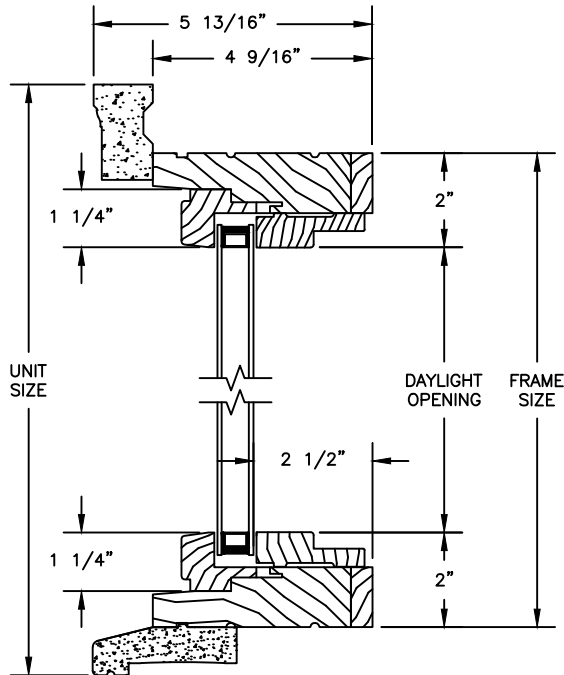


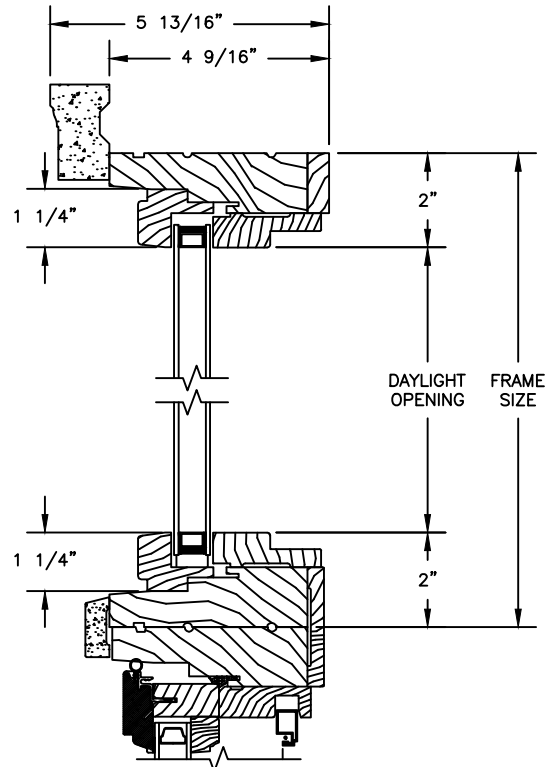
Pinnacle Series

PRIMED DIRECT SET

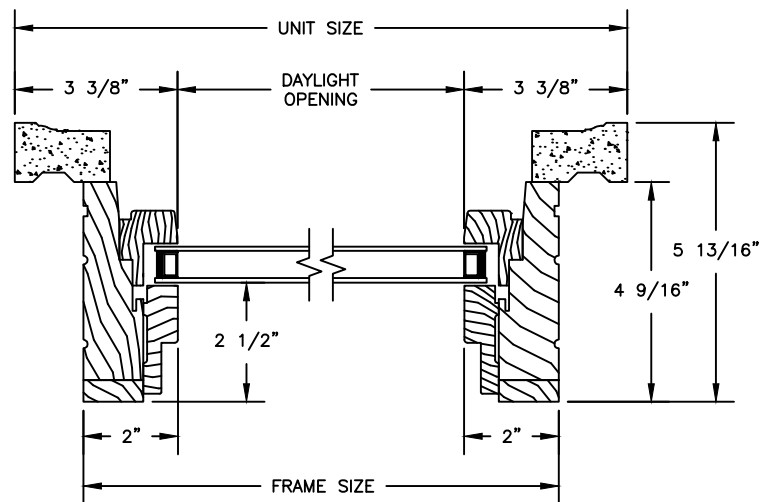
SECTION DETAILS: DIRECT GLAZE
SCALE: 3" = 1'-0"



HEAD JAMB & SILL



TRANSOM
HEAD JAMB & SILL



JAMBS

NOTES:

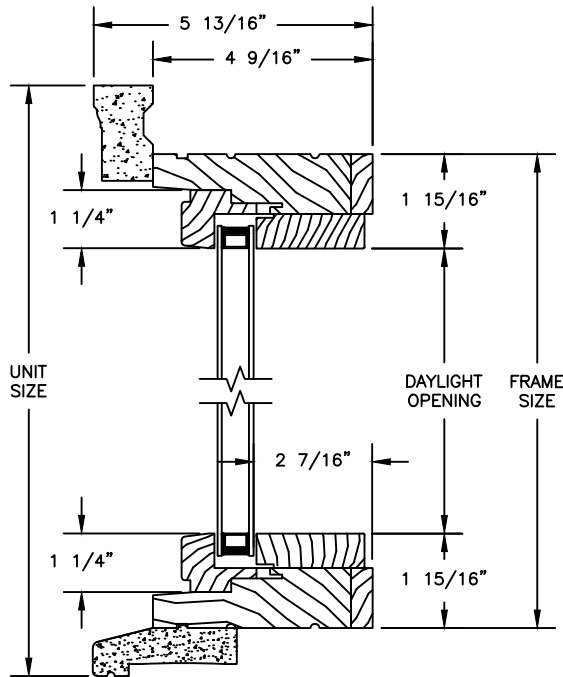
1. FOR RECTANGULAR UNITS, THE RELATIONSHIP BETWEEN GLASS SIZE, FRAME DIMENSION, ROUGH OPENING AND UNIT DIMENSION IS AS SHOWN ABOVE.
2. FOR TRAPEZOID & PENTIOD UNIT, THE RELATIONSHIP BETWEEN GLASS SIZE WIDTH, FRAME DIMENSION WIDTH, ROUGH OPENING WIDTH AND UNIT DIMENSION WIDTH IS AS SHOWN ABOVE.
3. ALL OTHER DIMENSIONAL RELATIONSHIPS, INCLUDING HEIGHTS OF TRAPEZOIDS AND PENTIODS, AND WIDTHS AND HEIGHTS OF TRIANGLES, AND OCTAGONS DEPEND UPON THE INCLUSIVE ANGLES, AND MUST BE CALCULATED SEPARATELY FOR EACH UNIT.

Pinnacle Series

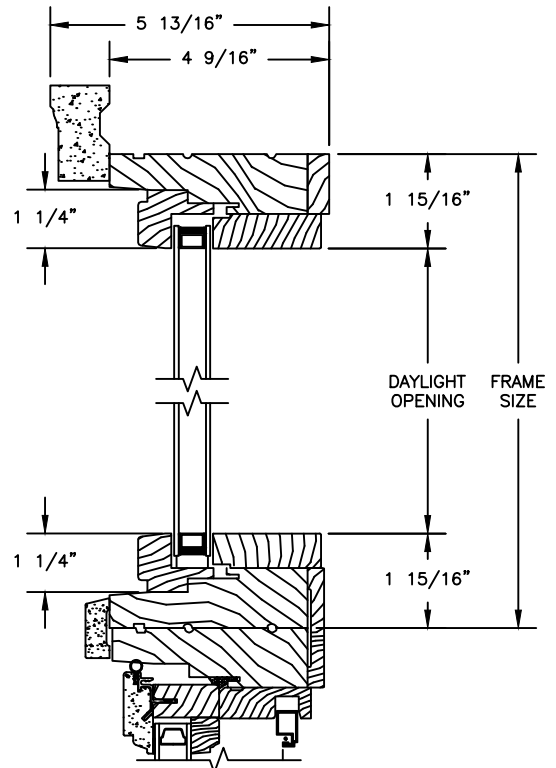
PRIMED DIRECT SET

SECTION DETAILS: DIRECT GLAZE WITH CONTEMPORARY STOPS

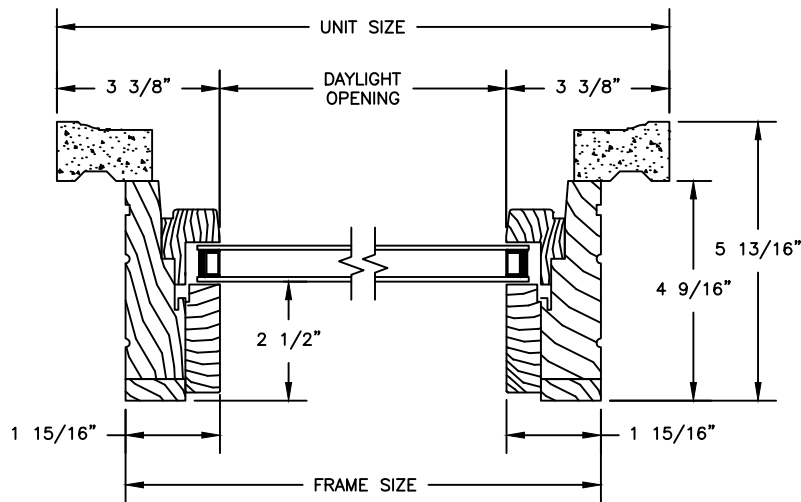
SCALE: 3" = 1'-0"



HEAD JAMB & SILL



TRANSOM
HEAD JAMB & SILL



JAMBS

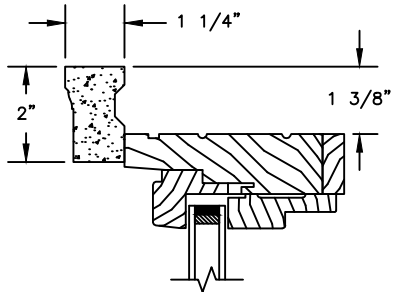
NOTES:

1. FOR RECTANGULAR UNITS, THE RELATIONSHIP BETWEEN GLASS SIZE, FRAME DIMENSION, ROUGH OPENING AND UNIT DIMENSION IS AS SHOWN ABOVE.
2. FOR TRAPEZOID & PENTIOD UNIT, THE RELATIONSHIP BETWEEN GLASS SIZE WIDTH, FRAME DIMENSION WIDTH, ROUGH OPENING WIDTH AND UNIT DIMENSION WIDTH IS AS SHOWN ABOVE.
3. ALL OTHER DIMENSIONAL RELATIONSHIPS, INCLUDING HEIGHTS OF TRAPEZOIDS AND PENTIODS, AND WIDTHS AND HEIGHTS OF TRIANGLES, AND OCTAGONS DEPEND UPON THE INCLUSIVE ANGLES, AND MUST BE CALCULATED SEPARATELY FOR EACH UNIT.

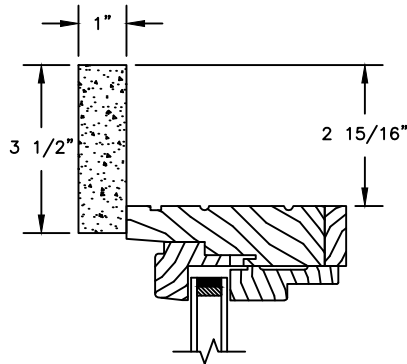
Pinnacle Series

PRIMED DIRECT SET

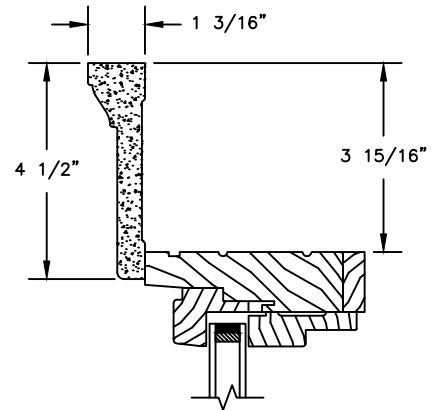
SECTION DETAILS : CASING OPTIONS
 SCALE: 3" = 1'-0"



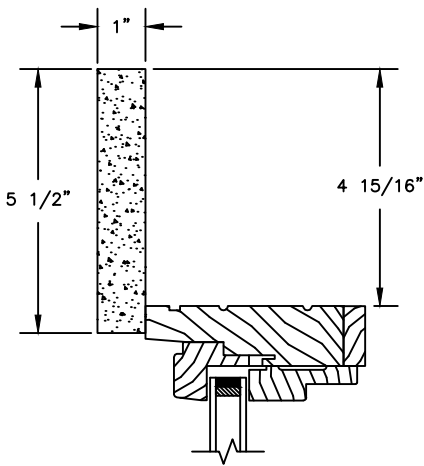
HEAD JAMB WITH
 STANDARD 180 BRICKMOULD



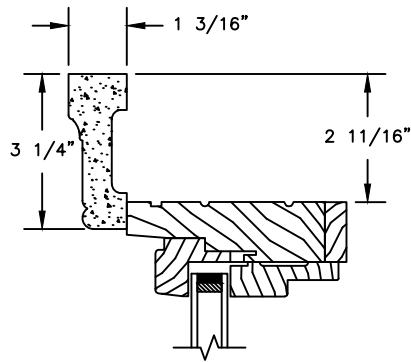
HEAD JAMB WITH
 3 1/2" FLAT CASING



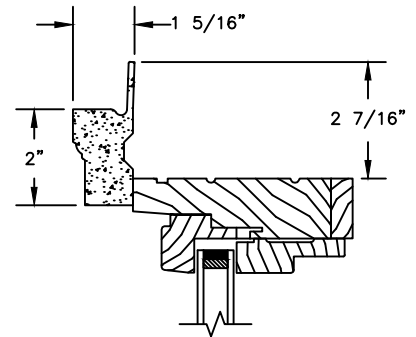
HEAD JAMB WITH
 4 1/2" BACKBAND



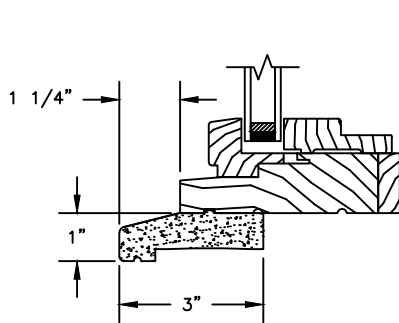
HEAD JAMB WITH
 5 1/2" FLAT CASING



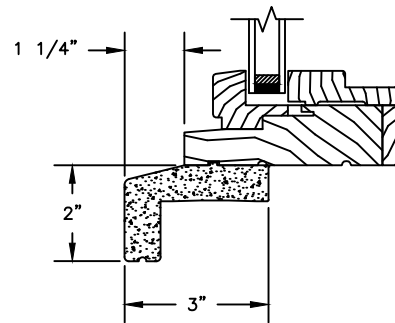
HEAD JAMB WITH
 WILLIAMSBURG BRICKMOULD



HEAD JAMB WITH
 180 FLANGED BRICKMOULD



SILL WITH STANDARD SUBSILL

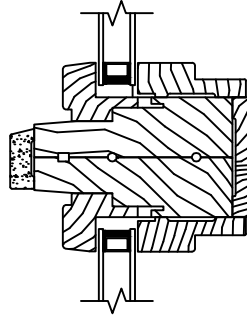


SILL WITH 2" SUBSILL

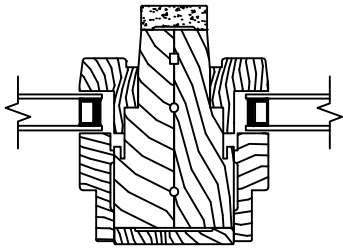
Pinnacle Series

PRIMED DIRECT SET

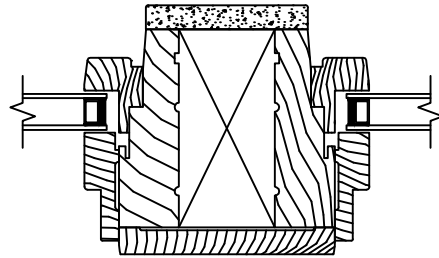
SECTION DETAILS : MULLIONS
SCALE: 3" = 1'-0"



HORIZONTAL MULLION
DIRECT SET/DIRECT SET



VERTICAL MULLION
DIRECT SET/DIRECT SET



VERTICAL MULLION WITH
2" SPREAD MULL
ADDITIONAL WIDTHS INCLUDE:
1" - 5"

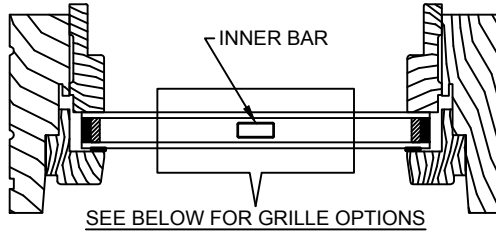
Pinnacle Series

PRIMED DIRECT SET

SECTION DETAILS : GLASS STOP & DIVIDED LITE OPTIONS
 SCALE: 3" = 1'-0"

AVAILABLE STYLES

-  - PUTTY
-  - TALL PUTTY
-  - OGEE
-  - CONTEMPORARY



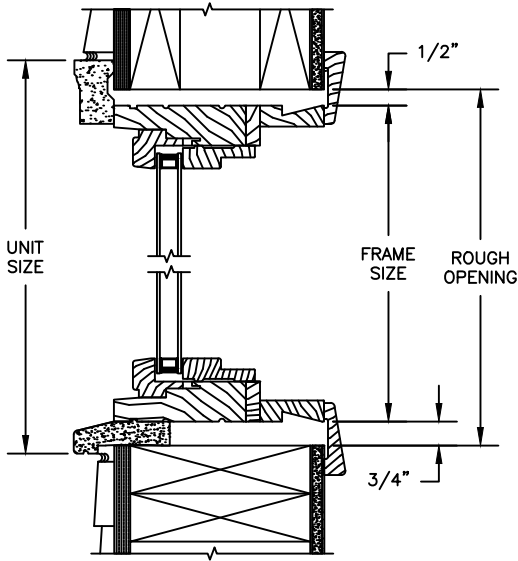
	5/8" WDL WITH INNER BAR	7/8" WDL WITH INNERBAR	1 1/4" WDL WITH INNERBAR	2" WDL WITH INNERBAR
STANDARD INSULATING GLASS				
13/16" INNERGRILLE				
3/4" PROFILED INNERGRILLE				
1" PROFILED INNERGRILLE				
7/8" STICK GRILLE				
1 1/4" STICK GRILLE				

NOTE:
 * ALL WDL OPTIONS CAN BE ORDERED WITH OR WITHOUT INNER BAR

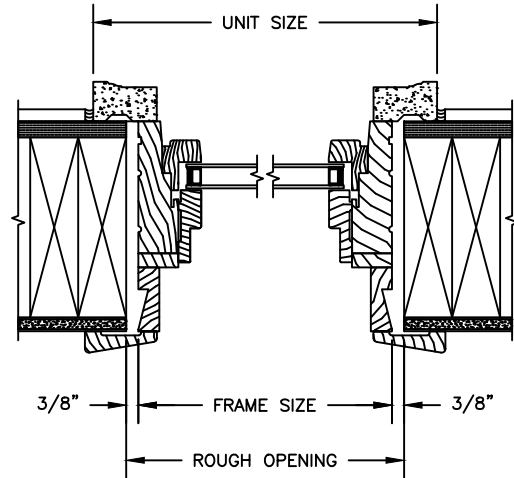
Pinnacle Series

PRIMED DIRECT SET

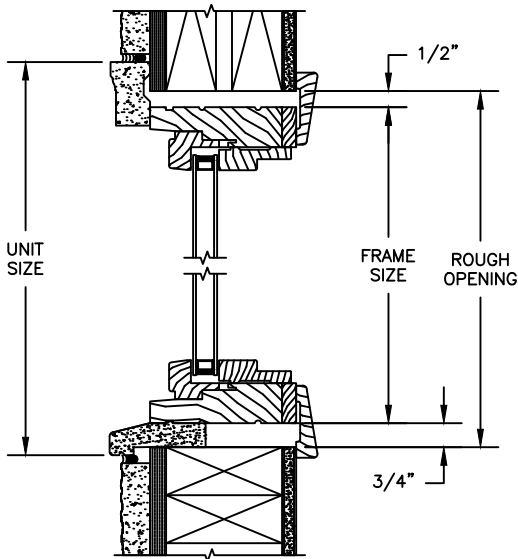
SECTION DETAILS : CONSTRUCTION
 SCALE: 2" = 1'-0"



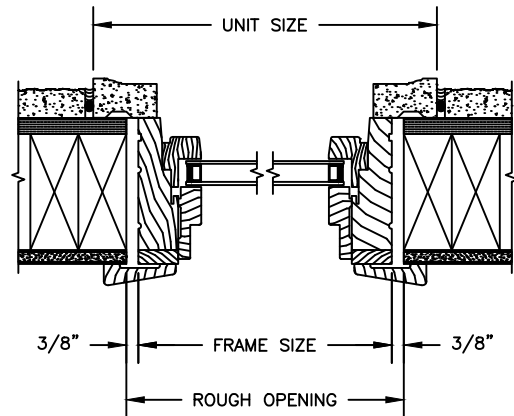
HEAD JAMB & SILL
 2 X 6 FRAME WITH SIDING



JAMBS
 2 X 6 FRAME WITH SIDING



HEAD JAMB & SILL
 2 X 4 FRAME WITH STUCCO



JAMBS
 2 X 4 FRAME WITH STUCCO

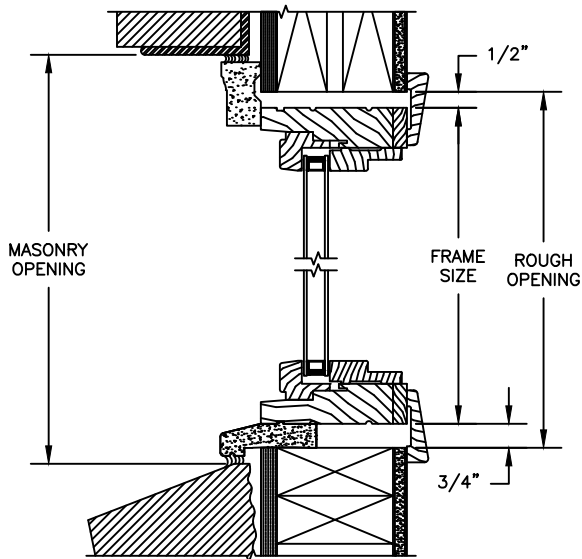
NOTE:
 THE ABOVE WALL SECTIONS REPRESENT TYPICAL WALL CONDITIONS, THESE DETAILS ARE NOT INTENDED AS INSTALLATION INSTRUCTIONS. PLEASE REFER TO THE INSTALLATION INSTRUCTIONS PROVIDED WITH THE PURCHASED UNITS.

Pinnacle Series

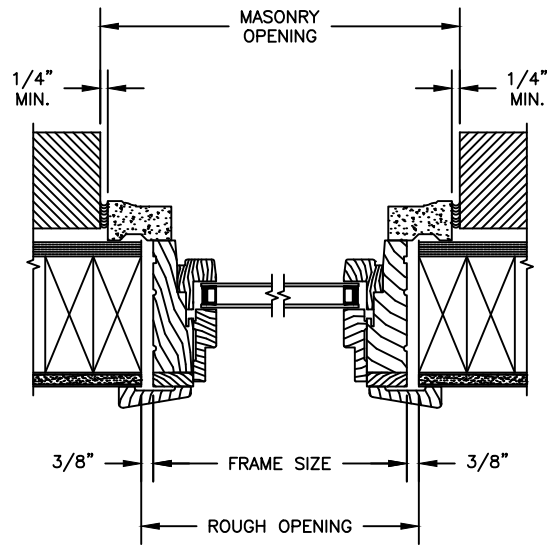
PRIMED DIRECT SET

SECTION DETAILS : CONSTRUCTION

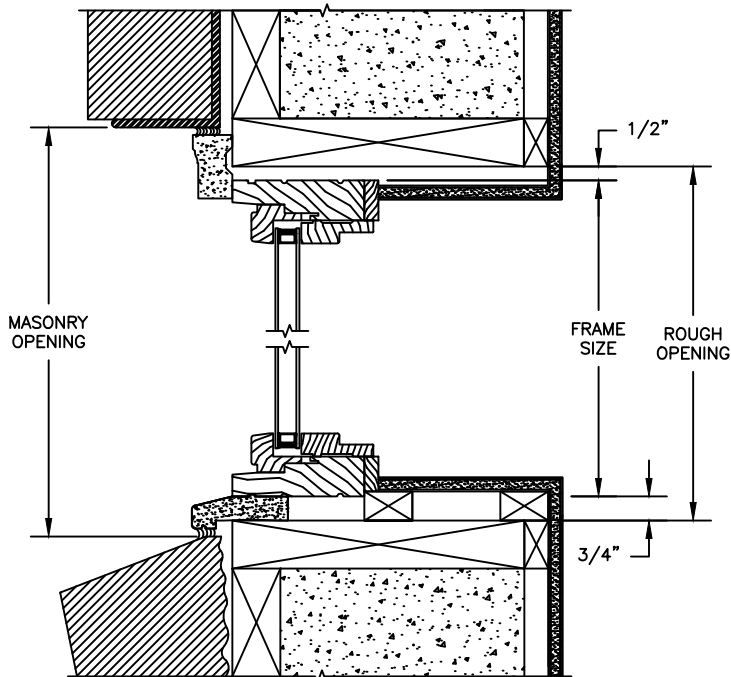
SCALE: 2" = 1'-0"



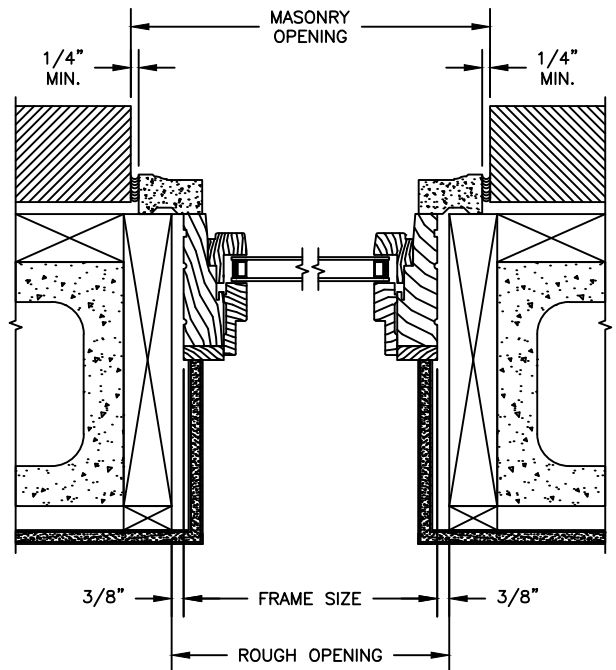
HEAD JAMB & SILL
2 X 4 FRAME WITH BRICK VENEER



JAMBS
2 X 4 FRAME WITH BRICK VENEER



HEAD JAMB & SILL
8" CONCRETE BLOCK WALL
WITH BRICK VENEER



JAMBS
8" CONCRETE BLOCK WALL
WITH BRICK VENEER

NOTE:
THE ABOVE WALL SECTIONS REPRESENT TYPICAL WALL CONDITIONS, THESE DETAILS ARE NOT INTENDED AS INSTALLATIONS INSTRUCTIONS. PLEASE REFER TO THE INSTALLATION INSTRUCTIONS PROVIDED WITH THE PURCHASED UNITS.