

Pinnacle Series

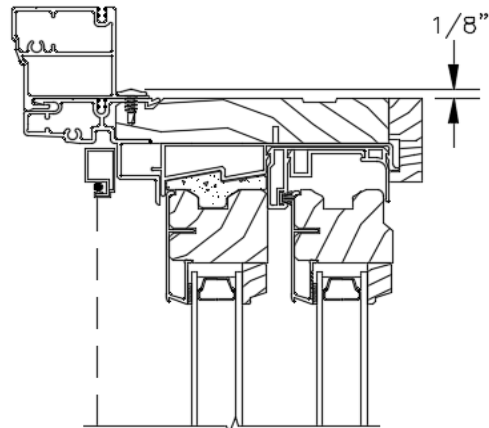
CLAD GLIDE-BY

MEASUREMENT CONVERSIONS

STANDARD (NO CASING)												
Size Referenced	Daylite Opening		Glass Size		Frame Size		Rough Opening		Unit Size		Masonry Opening	
Daylite Opening			Width	+ 1	Width	x2 + 8 3/16	Width	x2 + 8 5/16	Width	x2 + 8 3/16	Width	x2 + 8 5/16
			Height	+ 1	Height	+ 7 3/4	Height	+ 8 1/4	Height	+ 7 3/4	Height	+ 8 1/4
Glass Size	Width	- 1			Width	x2 + 7 3/16	Width	x2 + 7 15/16	Width	x2 + 7 3/16	Width	x2 + 7 15/16
	Height	- 1			Height	+ 6 3/4	Height	+ 7 1/4	Height	+ 6 3/4	Height	+ 7 1/4
Frame Size	Width	(-8 3/16) /2	Width	(-7 3/16) /2			Width	+ 3/4	Width	+ 0	Width	+ 3/4
	Height	- 7 3/4	Height	- 6 3/4			Height	+ 1/2	Height	+ 0	Height	+ 3/4
Rough Opening	Width	(-8 5/16) /2	Width	(-7 15/16) /2	Width	- 3/4			Width	- 3/4	Width	+ 0
	Height	- 8 1/4	Height	- 7 1/4	Height	- 1/2			Height	- 1/2	Height	+ 0
Unit Size	Width	(-8 3/16) /2	Width	(-7 3/16) /2	Width	+ 0	Width	+ 3/4			Width	+ 3/4
	Height	- 7 3/4	Height	- 6 3/4	Height	+ 0	Height	+ 1/2			Height	+ 1/2
Masonry Opening	Width	(-8 5/16) /2	Width	(-7 15/16) /2	Width	- 3/4	Width	+ 0	Width	- 3/4		
	Height	- 8 1/4	Height	- 7 1/4	Height	- 1/2	Height	+ 0	Height	- 3/4		

FRAME TO UNIT ADDERS

WM180 Brickmould	3/8" Subsill	+ 2 13/16	Width
		+ 1 3/4	Height
	1 1/4" Subsill	+ 2 13/16	Width
		+ 2 11/16	Height
2 1/4" Subsill	+ 2 13/16	Width	
	+ 3 11/16	Height	
Williamsburg Casing	3/8" Subsill	+ 6 1/2	Width
		+ 3 5/8	Height
	1 1/4" Subsill	+ 6 1/2	Width
		+ 4 1/2	Height
2 1/4" Subsill	+ 6 1/2	Width	
	+ 5 1/2	Height	
3 1/2" Flat Casing	3/8" Subsill	+ 5 7/8	Width
		+ 3 5/16	Height
	1 1/4" Subsill	+ 5 7/8	Width
		+ 4 3/16	Height
2 1/4" Subsill	+ 5 7/8	Width	
	+ 5 3/16	Height	



NOTE: RIGID NAIL FIN AND ALL CASING OPTIONS ARE APPLIED WITH SCREWS THAT SLIGHTLY PROTRUDE IN TO ROUGH OPENING BY 1/8". THESE SCREWS ARE NOT INCLUDED IN ROUGH OPENING CALCULATIONS.

NOTE: ADD 3/4" TO UNIT WIDTH AND 1/2" TO UNIT HEIGHT TO CALCULATE MASONRY OPENING.