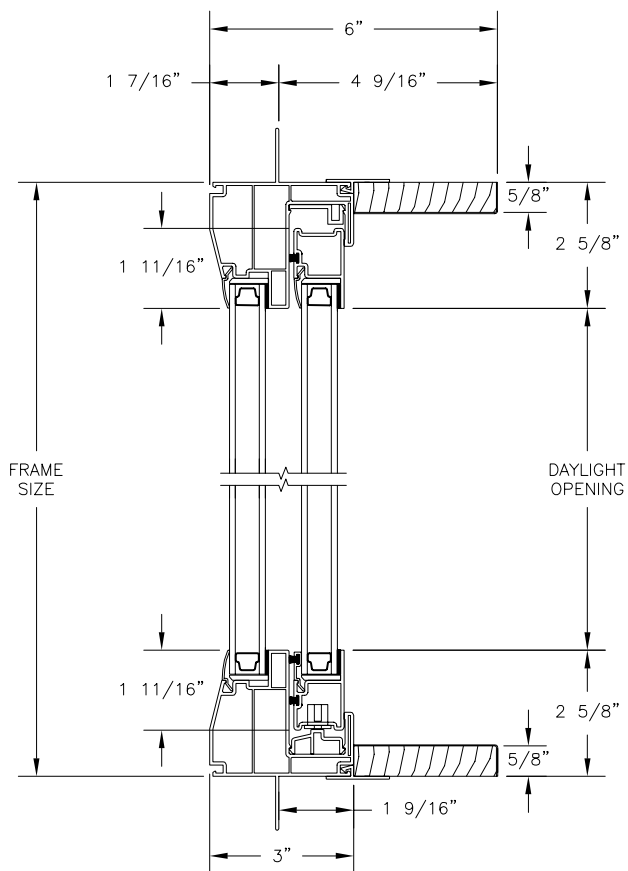


# Next Dimension Signature Series

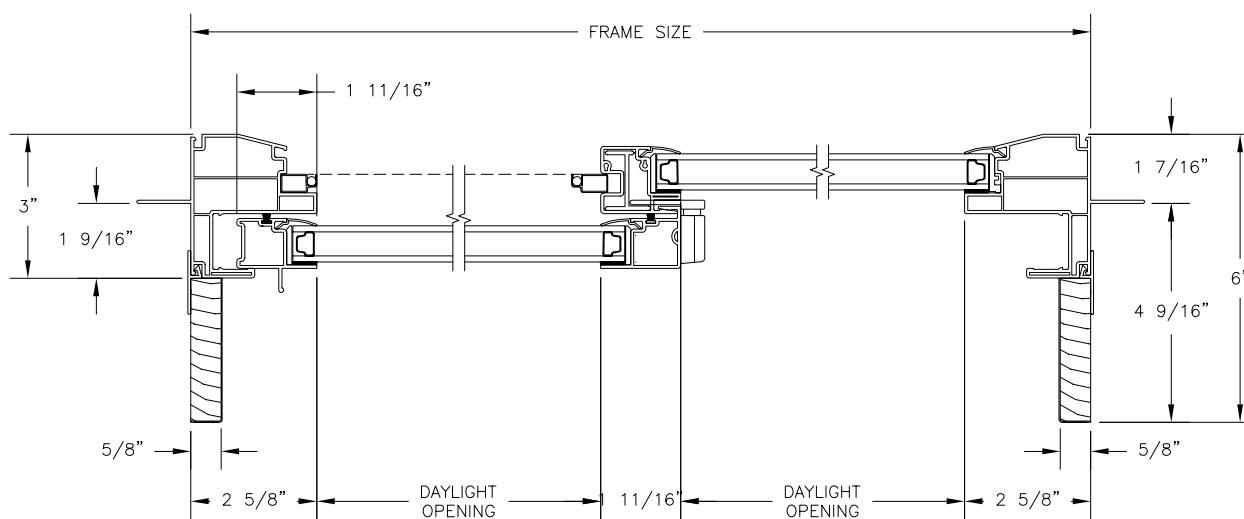
## SLIDER

### SECTION DETAILS

SCALE: 3" = 1'-0"



HEAD JAMB & SILL



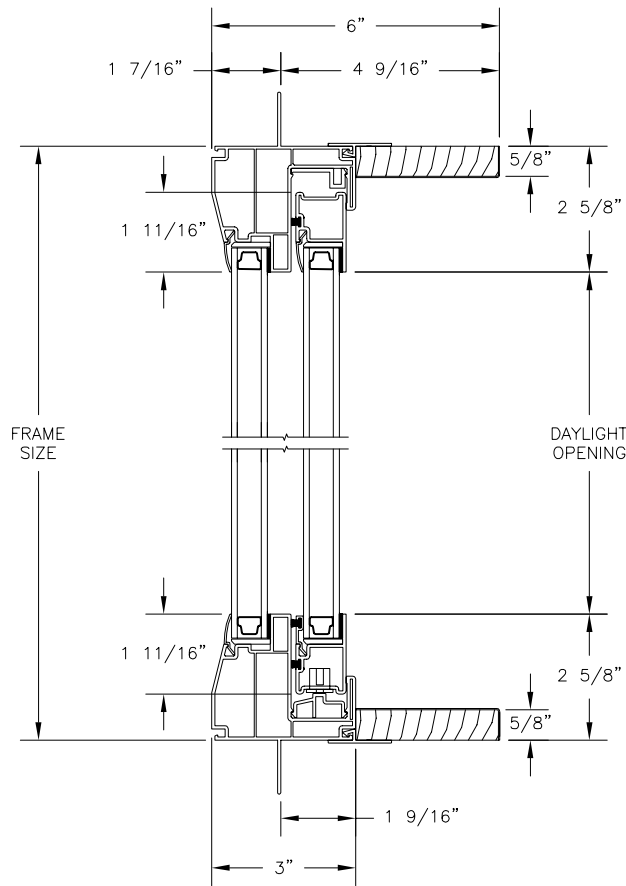
JAMBS

# Next Dimension Signature Series

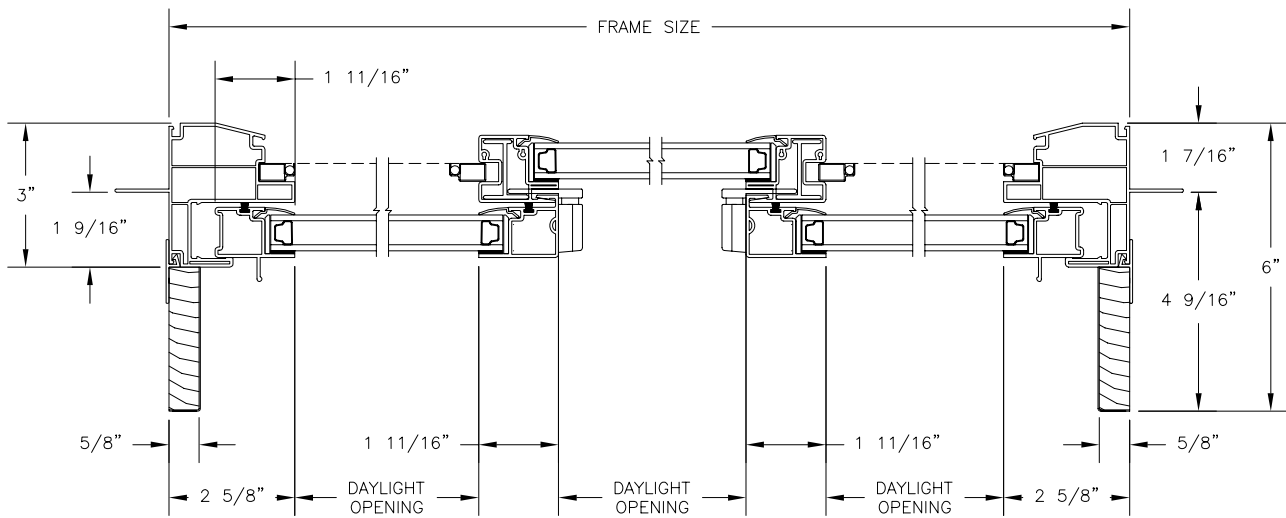
## SLIDER - TRIPLE

SECTION DETAILS

SCALE: 3" = 1'-0"



HEAD JAMB & SILL



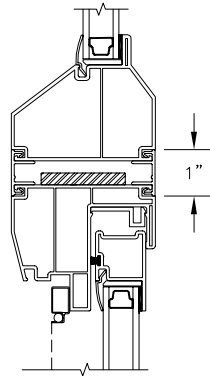
JAMBS

# Next Dimension Signature Series

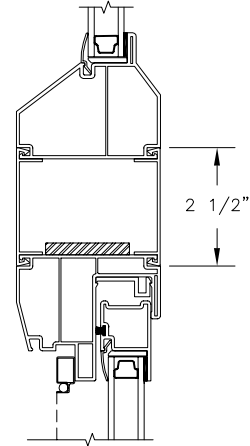
## SLIDER

SECTION DETAILS: MULLIONS

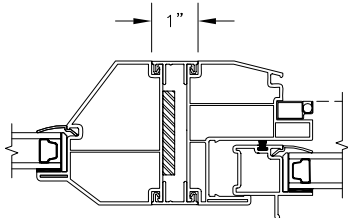
SCALE: 3" = 1'-0"



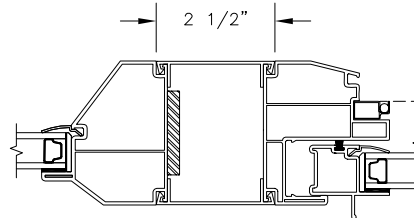
HORIZONTAL MULLION  
FIXED/OPERATOR



HORIZONTAL 2" MULLION  
FIXED/OPERATOR



VERTICAL MULLION  
FIXED/OPERATOR



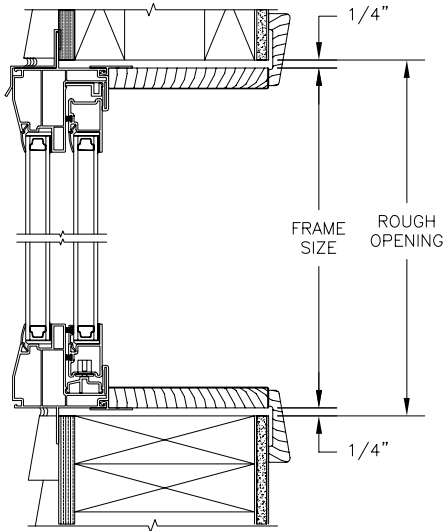
VERTICAL 2" MULLION  
FIXED/OPERATOR

# Next Dimension Signature Series

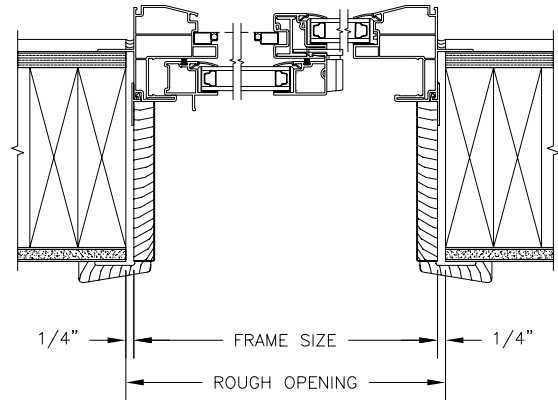
## SLIDER

SECTION DETAILS : CONSTRUCTION

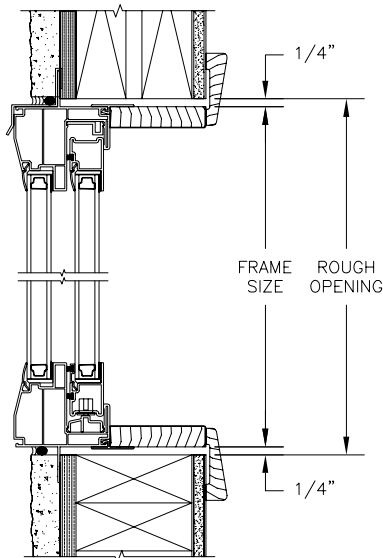
SCALE: 2" = 1'-0"



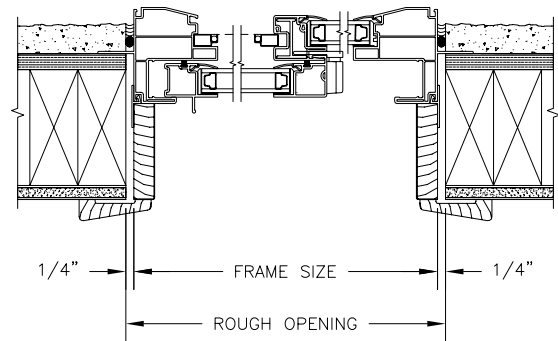
HEAD JAMB & SILL  
2 X 6 FRAME WITH SIDING



JAMBS  
2 X 6 FRAME WITH SIDING



HEAD JAMB & SILL  
2 X 4 FRAME WITH STUCCO



JAMBS  
2 X 4 FRAME WITH STUCCO

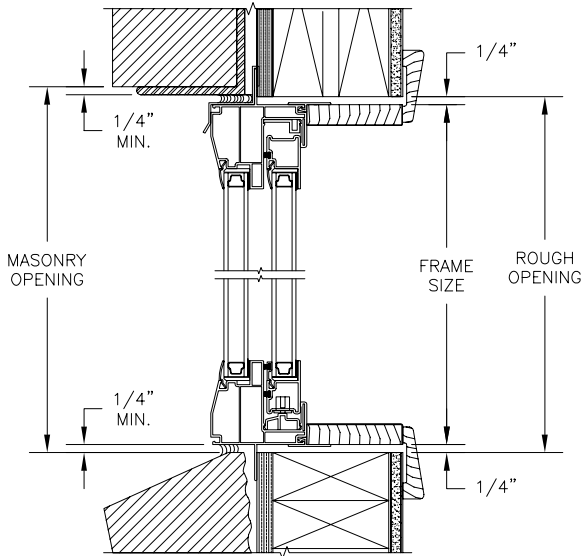
NOTE:  
THE ABOVE WALL SECTIONS REPRESENT TYPICAL WALL CONDITIONS, THESE DETAILS ARE NOT INTENDED AS INSTALLATIONS INSTRUCTIONS. PLEASE REFER TO THE INSTALLATION INSTRUCTIONS PROVIDED WITH THE PURCHASED UNITS.

# Next Dimension Signature Series

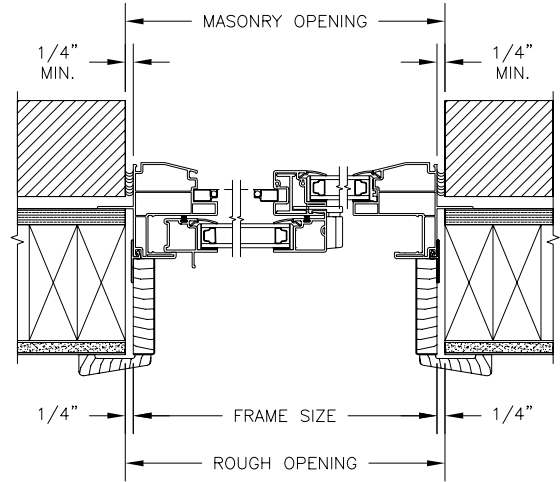
## SLIDER

SECTION DETAILS : CONSTRUCTION

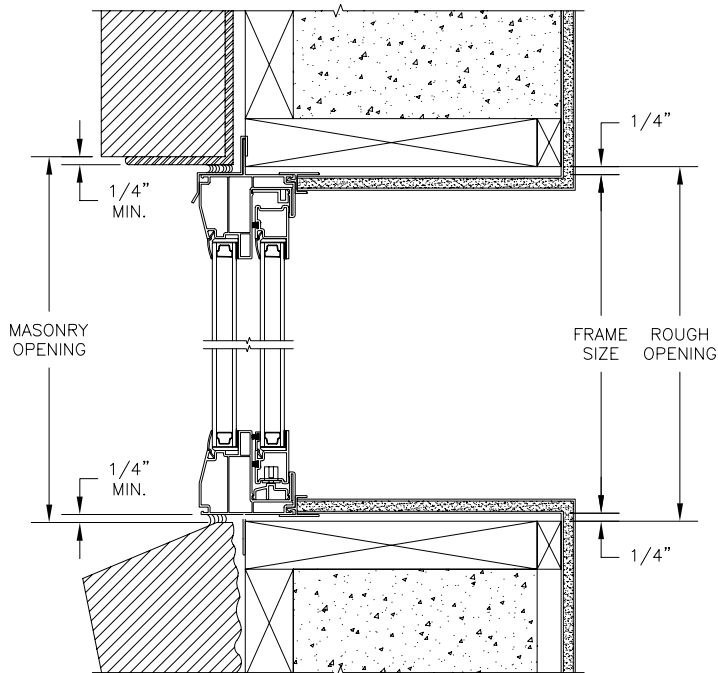
SCALE: 2" = 1'-0"



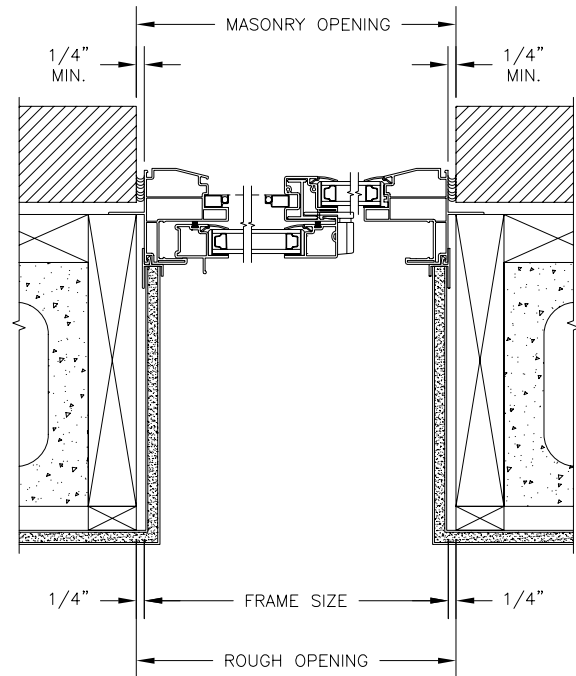
**HEAD JAMB & SILL**  
2 X 4 FRAME WITH BRICK VENEER



**JAMBS**  
2 X 4 FRAME WITH BRICK VENEER



**HEAD JAMB & SILL**  
8" CONCRETE BLOCK WALL  
WITH BRICK VENEER



**JAMBS**  
8" CONCRETE BLOCK WALL  
WITH BRICK VENEER

NOTE:  
THE ABOVE WALL SECTIONS REPRESENT TYPICAL WALL CONDITIONS, THESE DETAILS ARE NOT INTENDED AS INSTALLATIONS INSTRUCTIONS. PLEASE REFER TO THE INSTALLATION INSTRUCTIONS PROVIDED WITH THE PURCHASED UNITS.