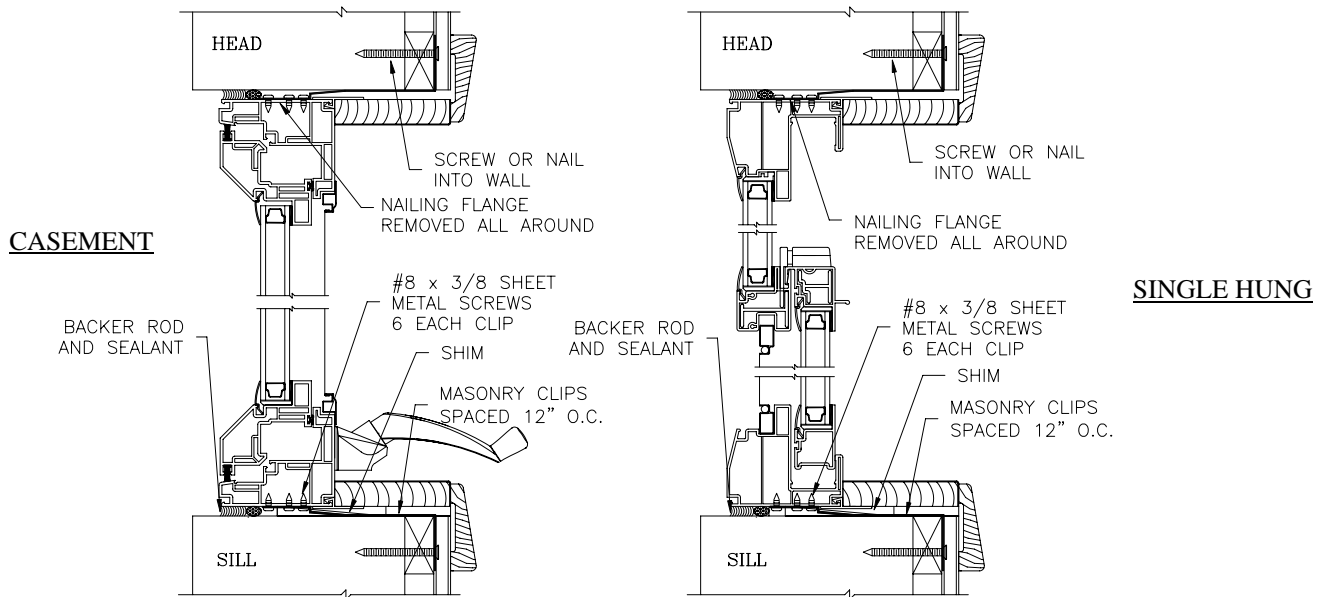
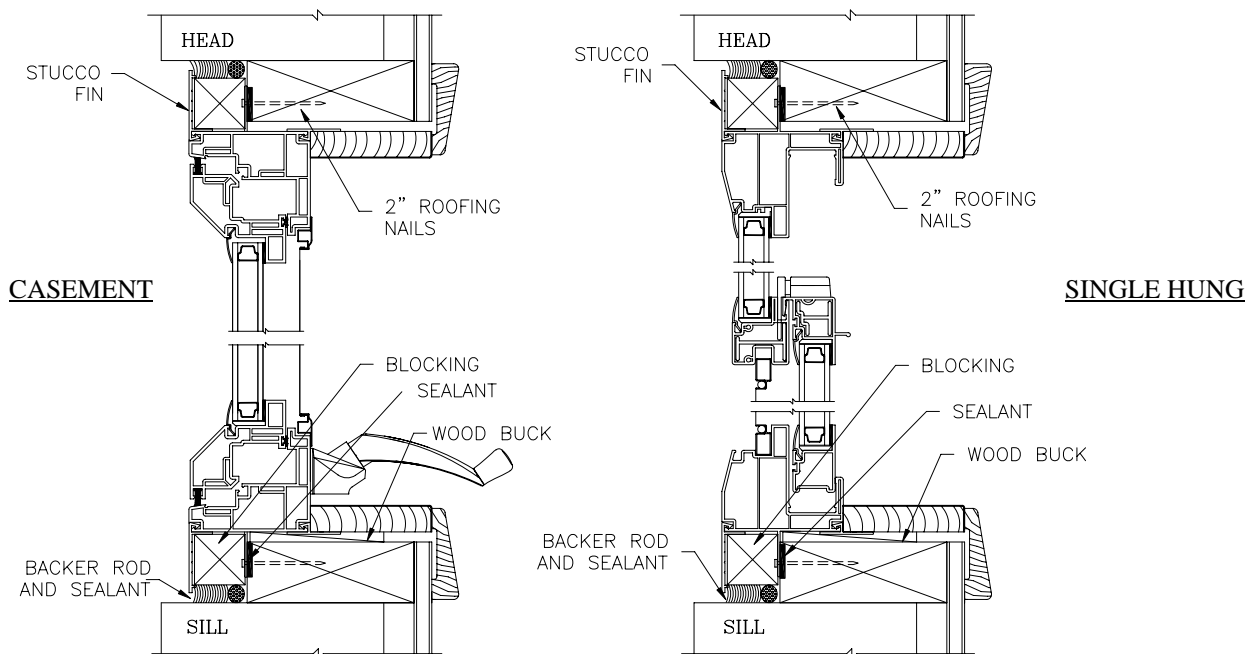


METHOD 2 - MASONRY CLIPS: This method utilizes masonry clips (2" bands of galvanized sheet metal) that are fastened to the window frame prior to installation then bent around the wall cavity. Use (6) #8 x 3/8 pan head sheet metal screw to attach each clip to window frame. **NOTE:** To avoid stripping out the vinyl walls, do not overtighten screws. All screws holes must then be sealed using either silicone or rubber gaskets. Space these clips approximately 12" apart. The unit can then be nailed or screwed to the wall structure from the inside.



METHOD 3 - WOOD BUCK: This method requires the installation of a wood buck around the perimeter of the rough opening. Place a continuous bead of silicone around the exterior face of this buck to seal against the nailing flange. Insert the window unit into the buck and fasten with nails through the vinyl nailing flange. Finish the installation by installing wood blocking and Windsor's stucco fin and seal perimeter with backer rod and sealant as shown below.



IMPORTANT:

- When sealing frame perimeter **DO NOT** seal over top any weep holes.
- Allow for adequate drainage at sill (flashing, panning, etc.) to allow for water shed from weep holes.
- For methods 1 & 2, shims **MUST** be place at sill to allow for sealant between existing wall and window frame. Unit must be continuously supported along full length of sill (see step 4).
- **PROVIDING A WEATHERTIGHT SEAL BETWEEN THE WINDOW UNIT AND THE EXISTING OPENING IS THE SOLE RESPONSIBILITY OF THE INSTALLER!**