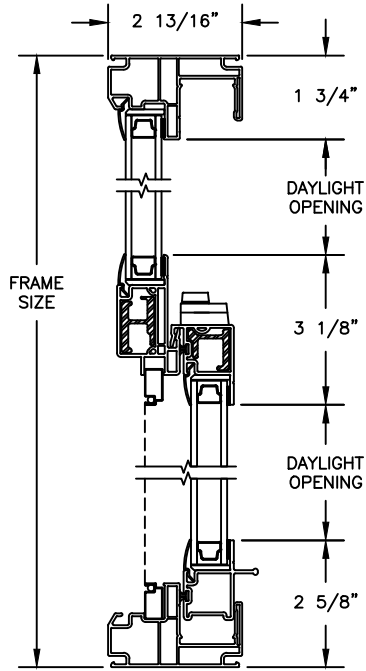


# Revive Series

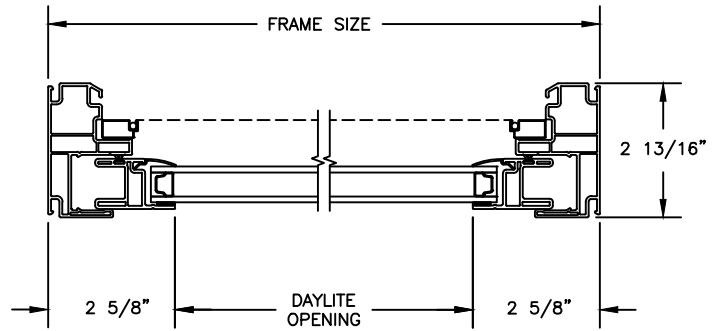
## VINYL SINGLE HUNG

SECTION DETAILS: FRAME OPERATOR & FIXED  
 SCALE: 3" = 1'-0"



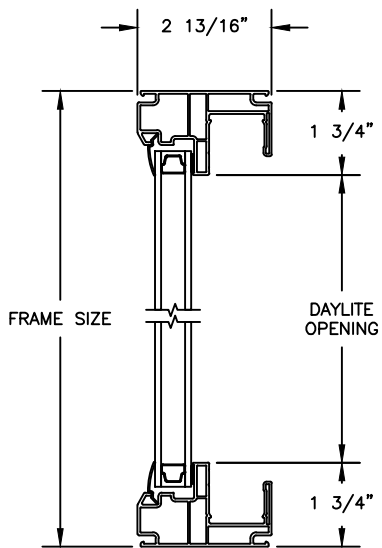
HEAD JAMB & SILL

OPERATING

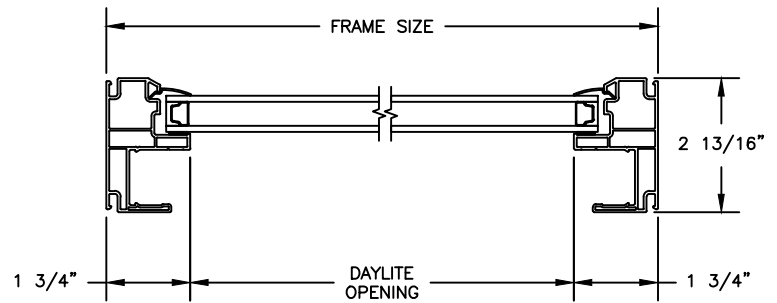


JAMBS

FIXED



HEAD JAMB & SILL



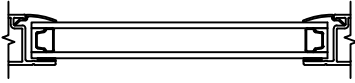
JAMBS

# Revive Series

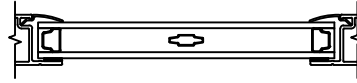
## VINYL SINGLE HUNG

---

SECTION DETAILS : DIVIDED LITE OPTIONS  
SCALE: 3" = 1'-0"



INSULATING GLASS



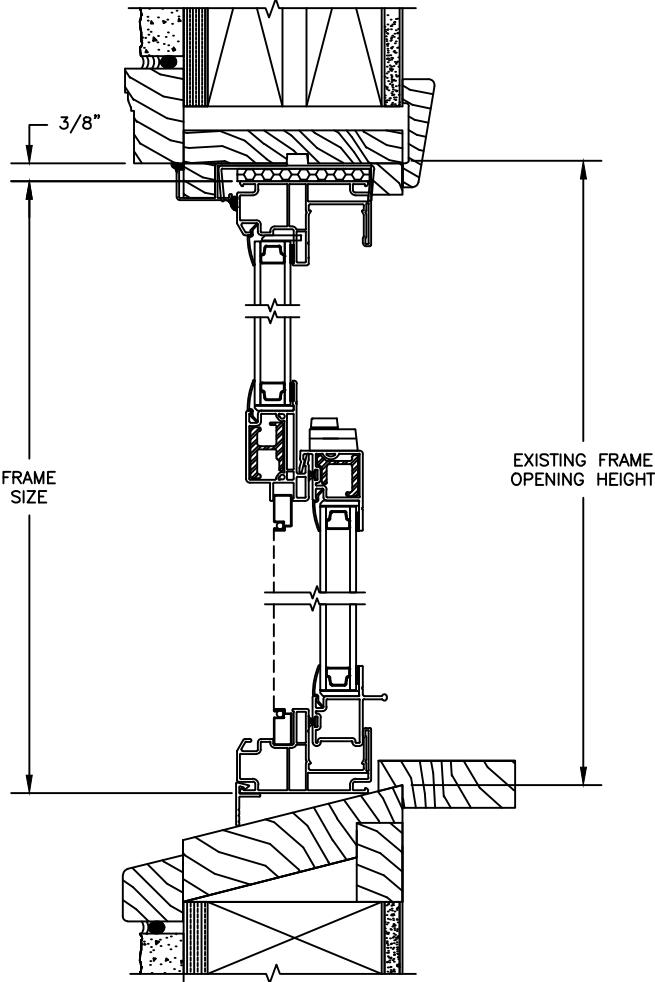
3/4" PROFILED INNERGRILLE

# Revive Series

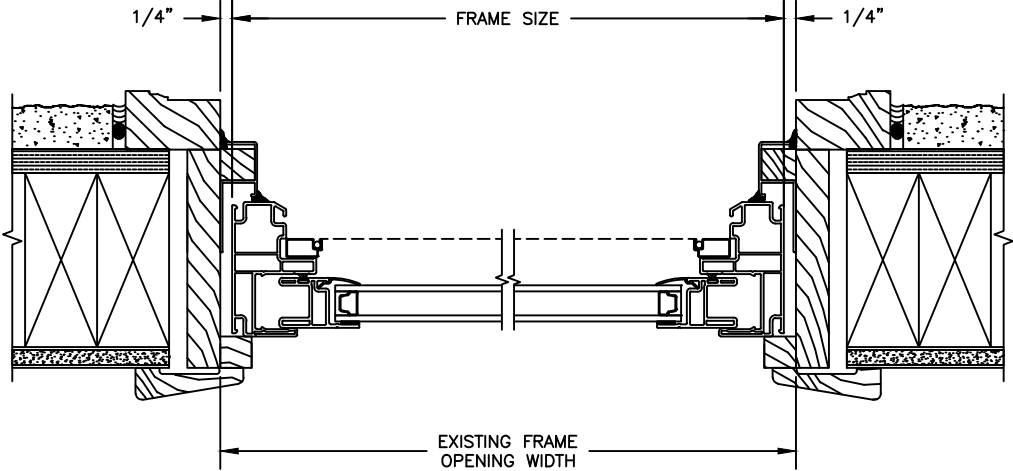
## VINYL SINGLE HUNG

SECTION DETAILS : CONSTRUCTION - OPERATOR

SCALE: 3" = 1'-0"



HEAD JAMB & SILL



JAMBS

# Revive Series

## VINYL SINGLE HUNG

SECTION DETAILS : CONSTRUCTION - FIXED  
SCALE: 3" = 1'-0"

