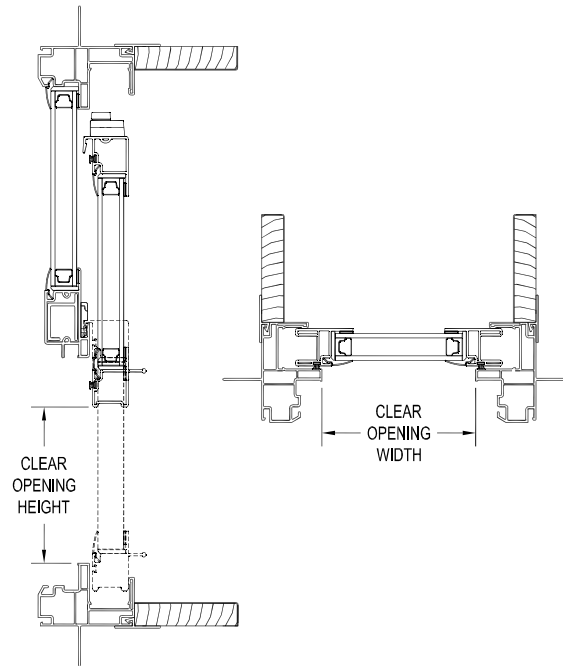


Next Dimension Pro Series

SINGLE HUNG

EGRESS, LITE & SCREEN MEASUREMENTS

Egress, Lite and Vent Measurements									
Single Hung									
Size	Egress Width	Egress Height	Sq. Ft. Egress	Egress Code Compliance*			Sq. Ft. Daylite	Screen Size	
				U.S.		Canada		Width	Height
				5.0 ft ²	5.7 ft ²				
1836	14.000	14.250	1.39	-	-	-	2.55	15 1/8	16 5/16
1842	14.000	17.250	1.68	-	-	-	3.10	15 1/8	19 5/16
1848	14.000	20.250	1.97	-	-	-	3.64	15 1/8	22 5/16
1854	14.000	23.250	2.26	-	-	-	4.19	15 1/8	25 5/16
1860	14.000	26.250	2.55	-	-	-	4.73	15 1/8	28 5/16
1866	14.000	29.250	2.84	-	-	-	5.28	15 1/8	31 5/16
1872	14.000	32.250	3.14	-	-	-	5.82	15 1/8	34 5/16
1878	14.000	35.250	3.43	-	-	-	6.37	15 1/8	37 5/16
2436	20.000	14.250	1.98	-	-	-	3.72	21 1/8	16 5/16
2442	20.000	17.250	2.40	-	-	-	4.52	21 1/8	19 5/16
2448	20.000	20.250	2.81	-	-	-	5.31	21 1/8	22 5/16
2454	20.000	23.250	3.23	-	-	-	6.11	21 1/8	25 5/16
2460	20.000	26.250	3.65	-	-	-	6.90	21 1/8	28 5/16
2466	20.000	29.250	4.06	-	-	Y	7.70	21 1/8	31 5/16
2472	20.000	32.250	4.48	-	-	Y	8.49	21 1/8	34 5/16
2478	20.000	35.250	4.90	-	-	Y	9.29	21 1/8	37 5/16
3036	26.000	14.250	2.57	-	-	-	4.89	27 1/8	16 5/16
3042	26.000	17.250	3.11	-	-	-	5.94	27 1/8	19 5/16
3048	26.000	20.250	3.66	-	-	-	6.98	27 1/8	22 5/16
3054	26.000	23.250	4.20	-	-	Y	8.03	27 1/8	25 5/16
3060	26.000	26.250	4.74	-	-	Y	9.07	27 1/8	28 5/16
3066	26.000	29.250	5.28	Y	-	Y	10.12	27 1/8	31 5/16
3072	26.000	32.250	5.82	Y	Y	Y	11.16	27 1/8	34 5/16
3078	26.000	35.250	6.36	Y	Y	Y	12.21	27 1/8	37 5/16
3636	32.000	14.250	3.17	-	-	-	6.06	33 1/8	16 5/16
3642	32.000	17.250	3.83	-	-	Y	7.35	33 1/8	19 5/16
3648	32.000	20.250	4.50	-	-	Y	8.65	33 1/8	22 5/16
3654	32.000	23.250	5.17	-	-	Y	9.95	33 1/8	25 5/16
3660	32.000	26.250	5.83	Y	Y	Y	11.24	33 1/8	28 5/16
3666	32.000	29.250	6.50	Y	Y	Y	12.54	33 1/8	31 5/16
3672	32.000	32.250	7.17	Y	Y	Y	13.83	33 1/8	34 5/16
3678	32.000	35.250	7.83	Y	Y	Y	15.13	33 1/8	37 5/16
4236	38.000	14.250	3.76	-	-	-	7.23	39 1/8	16 5/16
4242	38.000	17.250	4.55	-	-	Y	8.77	39 1/8	19 5/16
4248	38.000	20.250	5.34	-	-	Y	10.32	39 1/8	22 5/16
4254	38.000	23.250	6.14	-	-	Y	11.86	39 1/8	25 5/16
4260	38.000	26.250	6.93	Y	Y	Y	13.41	39 1/8	28 5/16
4266	38.000	29.250	7.72	Y	Y	Y	14.96	39 1/8	31 5/16
4272	38.000	32.250	8.51	Y	Y	Y	16.50	39 1/8	34 5/16
4278	38.000	35.250	9.30	Y	Y	Y	18.05	39 1/8	37 5/16
4836	44.000	14.250	4.35	-	-	-	8.40	45 1/8	16 5/16
4842	44.000	17.250	5.27	-	-	Y	10.19	45 1/8	19 5/16
4848	44.000	20.250	6.19	-	-	Y	11.99	45 1/8	22 5/16
4854	44.000	23.250	7.10	-	-	Y	13.78	45 1/8	25 5/16
4860	44.000	26.250	8.02	Y	Y	Y	15.58	45 1/8	28 5/16
4866	44.000	29.250	8.94	Y	Y	Y	17.38	45 1/8	31 5/16
4872	44.000	32.250	9.85	Y	Y	Y	19.17	45 1/8	34 5/16
4878	44.000	35.250	10.77	Y	Y	Y	20.97	45 1/8	37 5/16



Egress Conversions	
Width	R.O. - 4"
Height	R.O. / 2 - 3.75"

* Egress Code Compliance Terminology

- Y Meets Code
- Does Not Meet Code

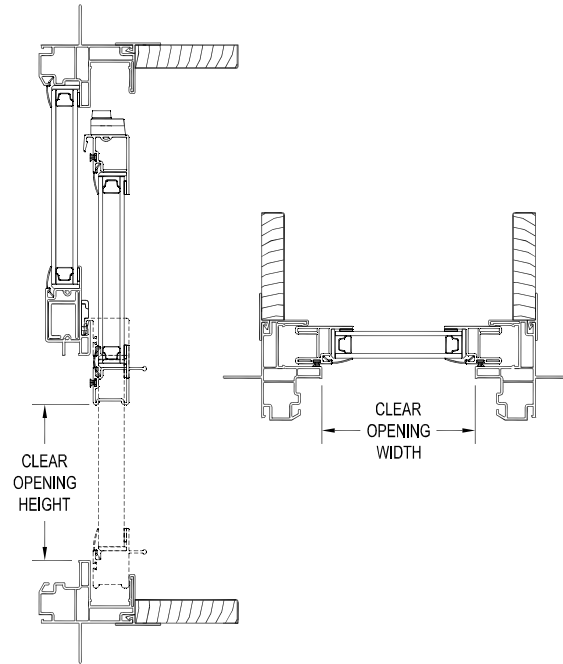
Code Requirements	Min Width	Min Height	Min Area (sq.ft.)
U.S.	20"	24"	5.7
U.S. Grade Floor	20"	24"	5.0
Canada	15"	15"	3.77

Next Dimension Pro Series

SINGLE HUNG

EGRESS, LITE & SCREEN MEASUREMENTS

Egress, Lite and Vent Measurements										
Single Hung										
Size	Egress Width	Egress Height	Sq. Ft. Egress	Egress Code Compliance*			Sq. Ft. Daylite	Screen Size		
				U.S.		Canada		Width	Height	
				5.0 ft ²	5.7 ft ²					
Cottage										
1860	14.000	20.250	1.97	-	-	-	4.73	15 1/8	34 5/16	
1866	14.000	23.250	2.26	-	-	-	5.28	15 1/8	37 5/16	
1872	14.000	26.250	2.55	-	-	-	5.82	15 1/8	40 5/16	
2460	20.000	20.250	2.81	-	-	-	6.90	21 1/8	34 5/16	
2466	20.000	23.250	3.23	-	-	-	7.70	21 1/8	37 5/16	
2472	20.000	26.250	3.65	-	-	-	8.49	21 1/8	40 5/16	
3060	26.000	20.250	3.66	-	-	-	9.29	27 1/8	34 5/16	
3066	26.000	23.250	4.20	-	-	Y	10.12	27 1/8	37 5/16	
3072	26.000	26.250	4.74	-	-	Y	11.16	27 1/8	40 5/16	
3660	32.000	20.250	4.50	-	-	Y	11.24	33 1/8	34 5/16	
3666	32.000	23.250	5.17	-	-	Y	12.54	33 1/8	37 5/16	
3672	32.000	26.250	5.83	Y	Y	Y	13.83	33 1/8	40 5/16	
4260	38.000	20.250	5.34	-	-	Y	13.41	39 1/8	34 5/16	
4266	38.000	23.250	6.14	-	-	Y	14.96	39 1/8	37 5/16	
4272	38.000	26.250	6.93	Y	Y	Y	16.50	39 1/8	40 5/16	
4860	44.000	20.250	6.19	Y	Y	Y	15.82	45 1/8	34 5/16	
4866	44.000	23.250	7.10	Y	Y	Y	17.40	45 1/8	37 5/16	
4872	44.000	26.250	8.02	Y	Y	Y	19.19	45 1/8	40 5/16	
Oriel										
1860	14.000	20.250	1.97	-	-	-	4.73	15 1/8	34 5/16	
1866	14.000	23.250	2.26	-	-	-	5.28	15 1/8	37 5/16	
1872	14.000	26.250	2.55	-	-	-	5.82	15 1/8	40 5/16	
1878	14.000	29.250	2.84	-	-	-	6.37	15 1/8	43 5/16	
2460	20.000	20.250	2.81	-	-	-	6.90	21 1/8	34 5/16	
2466	20.000	23.250	3.23	-	-	-	7.70	21 1/8	37 5/16	
2472	20.000	26.250	3.65	-	-	-	8.49	21 1/8	40 5/16	
2478	20.000	29.250	4.06	-	-	Y	9.29	21 1/8	43 5/16	
3060	26.000	20.250	3.66	-	-	-	9.07	27 1/8	34 5/16	
3066	26.000	23.250	4.20	-	-	Y	10.12	27 1/8	37 5/16	
3072	26.000	26.250	4.74	-	-	Y	11.16	27 1/8	40 5/16	
3078	26.000	29.250	5.28	Y	-	Y	12.21	27 1/8	43 5/16	
3660	32.000	20.250	4.50	-	-	Y	11.24	33 1/8	34 5/16	
3666	32.000	23.250	5.17	-	-	Y	12.54	33 1/8	37 5/16	
3672	32.000	26.250	5.83	Y	Y	Y	13.83	33 1/8	40 5/16	
3678	32.000	29.250	6.50	Y	Y	Y	15.13	33 1/8	43 5/16	
4260	38.000	20.250	5.34	-	-	Y	13.41	39 1/8	34 5/16	
4266	38.000	23.250	6.14	-	-	Y	14.96	39 1/8	37 5/16	
4272	38.000	26.250	6.93	Y	Y	Y	16.50	39 1/8	40 5/16	
4278	38.000	29.250	7.72	Y	Y	Y	18.05	39 1/8	43 5/16	
4860	44.000	20.250	6.19	Y	Y	Y	15.82	45 1/8	34 5/16	
4866	44.000	23.250	7.10	Y	Y	Y	17.40	45 1/8	37 5/16	
4872	44.000	26.250	8.02	Y	Y	Y	19.19	45 1/8	40 5/16	



Egress Conversions	
Width	R.O. - 4"
Height	R.O. / 2 - 9.75"

*** Egress Code Compliance Terminology**

- Y Meets Code
- Does Not Meet Code

Code Requirements	Min Width	Min Height	Min Area (sq.ft.)
U.S.	20"	24"	5.7
U.S. Grade Floor	20"	24"	5.0
Canada	15"	15"	3.77