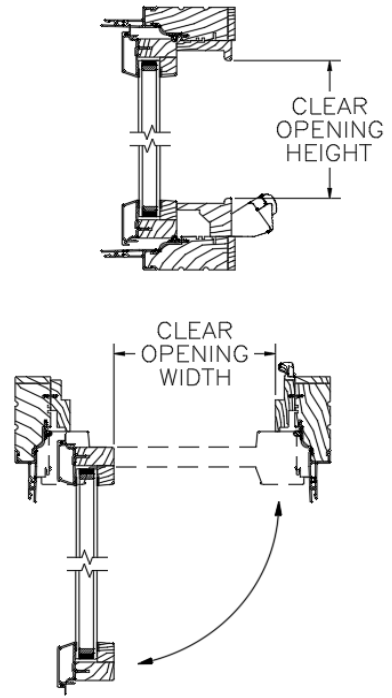


# Revive Series

## CLAD AND HYBRID CASEMENT

### EGRESS, LITE, VENT & SCREEN MEASUREMENTS

Egress, Lite and Vent Measurements													
Casement													
Size		Egress Width		Egress Height	Sq. Ft. Egress		Egress Code Compliance*			Sq. Ft. Vent	Sq. Ft. Daylite	Screen Size	
Frame Width	Frame Height	Std. HRDW	Egress HRDW		Std. HRDW	Egress HRDW	U.S.		Canada			Width	Height
							5.0 ft <sup>2</sup>	5.7 ft <sup>2</sup>					
18	24	9.25		19.31	1.24	-	-	-	1.89	1.66	14 11/16	19 9/16	
18	30	9.25		25.31	1.63	-	-	-	2.48	2.26	14 11/16	25 9/16	
18	36	9.25		31.31	2.01	-	-	-	3.07	2.80	14 11/16	31 9/16	
18	42	9.25		37.31	2.40	-	-	-	3.66	3.34	14 11/16	37 9/16	
18	48	9.25		43.31	2.78	-	-	-	4.25	3.88	14 11/16	43 9/16	
18	54	9.25		49.31	3.17	-	-	-	4.84	4.42	14 11/16	49 9/16	
18	60	9.25		55.31	3.55	-	-	-	5.43	4.97	14 11/16	55 9/16	
18	66	9.25		61.31	3.94	-	-	-	6.01	5.51	14 11/16	61 9/16	
18	72	9.25		67.31	4.32	-	-	-	6.60	6.05	14 11/16	67 9/16	
18	78	9.25		73.31	4.71	-	-	-	7.19	6.59	14 11/16	73 9/16	
18	84	9.25		79.31	5.09	-	-	-	7.78	7.13	14 11/16	79 9/16	
20	24	11.25		19.31	1.51	-	-	-	2.16	1.92	16 11/16	19 9/16	
20	30	11.25		25.31	1.98	-	-	-	2.83	2.54	16 11/16	25 9/16	
20	36	11.25		31.31	2.45	-	-	-	3.51	3.15	16 11/16	31 9/16	
20	42	11.25		37.31	2.91	-	-	-	4.18	3.76	16 11/16	37 9/16	
20	48	11.25		43.31	3.38	-	-	-	4.85	4.38	16 11/16	43 9/16	
20	54	11.25		49.31	3.85	-	-	-	5.52	4.99	16 11/16	49 9/16	
20	60	11.25		55.31	4.32	-	-	-	6.19	5.61	16 11/16	55 9/16	
20	66	11.25		61.31	4.79	-	-	-	6.87	6.22	16 11/16	61 9/16	
20	72	11.25		67.31	5.26	-	-	-	7.54	6.84	16 11/16	67 9/16	
20	78	11.25		73.31	5.73	-	-	-	8.21	7.45	16 11/16	73 9/16	
20	84	11.25		79.31	6.20	-	-	-	8.88	8.23	16 11/16	79 9/16	
24	24	15.25	17.80	19.31	2.04	2.39	-	-	2.70	2.44	20 11/16	19 9/16	
24	30	15.25	17.80	25.31	2.68	3.13	-	-	3.54	3.22	20 11/16	25 9/16	
24	36	15.25	17.80	31.31	3.32	3.87	-	-	4.38	4.00	20 11/16	31 9/16	
24	42	15.25	17.80	37.31	3.95	4.61	-	-	5.21	4.79	20 11/16	37 9/16	
24	48	15.25	17.80	43.31	4.59	5.35	-	-	6.05	5.57	20 11/16	43 9/16	
24	54	15.25	17.80	49.31	5.22	6.10	-	-	6.89	6.35	20 11/16	49 9/16	
24	60	15.25	17.80	55.31	5.86	6.84	-	-	7.73	7.13	20 11/16	55 9/16	
24	66	15.25	17.80	61.31	6.49	7.58	-	-	8.57	7.91	20 11/16	61 9/16	
24	72	15.25	17.80	67.31	7.13	8.32	-	-	9.41	8.69	20 11/16	67 9/16	
24	78	15.25	17.80	73.31	7.76	9.06	-	-	10.25	9.47	20 11/16	73 9/16	
24	84	15.25	17.80	79.31	8.40	9.80	-	-	11.08	10.42	20 11/16	79 9/16	
28	24	19.25	21.80	19.31	2.58	2.92	-	-	3.24	2.96	24 11/16	19 9/16	
28	30	19.25	21.80	25.31	3.38	3.83	-	-	4.24	3.91	24 11/16	25 9/16	
28	36	19.25	21.80	31.31	4.19	4.74	-	-	5.25	4.86	24 11/16	31 9/16	
28	42	19.25	21.80	37.31	4.99	5.65	E	-	6.25	5.81	24 11/16	37 9/16	
28	48	19.25	21.80	43.31	5.79	6.56	E	E	7.26	6.75	24 11/16	43 9/16	
28	54	19.25	21.80	49.31	6.59	7.46	E	E	8.26	7.70	24 11/16	49 9/16	
28	60	19.25	21.80	55.31	7.39	8.37	E	E	9.27	8.65	24 11/16	55 9/16	
28	66	19.25	21.80	61.31	8.20	9.28	E	E	10.27	9.60	24 11/16	61 9/16	
28	72	19.25	21.80	67.31	9.00	10.19	E	E	11.28	10.55	24 11/16	67 9/16	
28	78	19.25	21.80	73.31	9.80	11.10	E	E	12.28	11.49	24 11/16	73 9/16	
28	84	19.25	21.80	79.31	10.60	12.01	E	E	13.29	12.62	24 11/16	79 9/16	
30	24	21.25	23.80	19.31	2.85	3.19	-	-	3.50	3.22	26 11/16	19 9/16	
30	30	21.25	23.80	25.31	3.73	4.18	-	-	4.59	4.25	26 11/16	25 9/16	
30	36	21.25	23.80	31.31	4.62	5.17	E	-	5.68	5.29	26 11/16	31 9/16	
30	42	21.25	23.80	37.31	5.51	6.17	S	E	6.77	6.32	26 11/16	37 9/16	
30	48	21.25	23.80	43.31	6.39	7.16	S	S	7.86	7.35	26 11/16	43 9/16	
30	54	21.25	23.80	49.31	7.28	8.15	S	S	8.95	8.38	26 11/16	49 9/16	
30	60	21.25	23.80	55.31	8.16	9.14	S	S	10.03	9.41	26 11/16	55 9/16	
30	66	21.25	23.80	61.31	9.05	10.13	S	S	11.12	10.44	26 11/16	61 9/16	
30	72	21.25	23.80	67.31	9.93	11.12	S	S	12.21	11.47	26 11/16	67 9/16	



#### Egress Conversions

Standard Hardware	Width	Glass - 4.75"
	Height	Glass - 0.69"
Egress Hardware	Width	Glass - 2.20"
	Height	Glass - 0.69"

#### \* Egress Code Compliance Terminology

- E** Meets Code with Egress Hardware Only
- S** Meets Code with Standard Hardware
- Does Not Meet Code

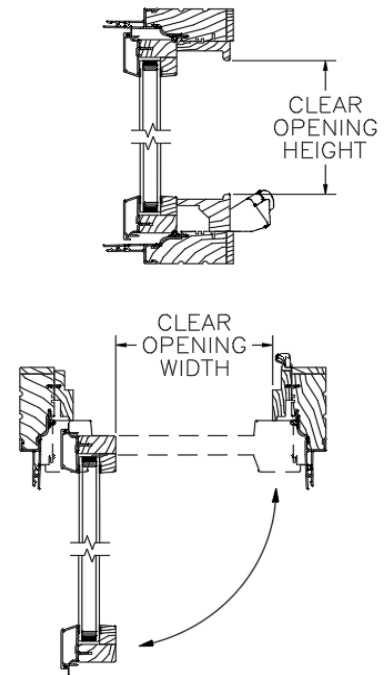
Code Requirements	Min Width	Min Height	Min Area (sq.ft.)
U.S.	20"	24"	5.7
U.S. Grade Floor	20"	24"	5.0
Canada	15"	15"	3.77

# Revive Series

## CLAD AND HYBRID CASEMENT

### EGRESS, LITE, VENT & SCREEN MEASUREMENTS

Egress, Lite and Vent Measurements													
Casement													
Size		Egress Width		Egress Height	Sq. Ft. Egress		Egress Code Compliance*			Sq. Ft. Vent	Sq. Ft. Daylite	Screen Size	
Frame Width	Frame Height	Std. HRDW	Egress HRDW		Std. HRDW	Egress HRDW	U.S.		Canada			Width	Height
							5.0 ft <sup>2</sup>	5.7 ft <sup>2</sup>					
32	24	23.25	25.80	19.31	3.12	3.46	-	-	-	3.77	1.66	28 11/16	19 9/16
32	30	23.25	25.80	25.31	4.09	4.53	-	-	E	4.94	2.26	28 11/16	25 9/16
32	36	23.25	25.80	31.31	5.06	5.61	E	-	S	6.12	3.26	28 11/16	31 9/16
32	42	23.25	25.80	37.31	6.02	6.68	S	S	S	7.29	4.26	28 11/16	37 9/16
32	48	23.25	25.80	43.31	6.99	7.76	S	S	S	8.46	5.26	28 11/16	43 9/16
32	54	23.25	25.80	49.31	7.96	8.83	S	S	S	9.63	6.26	28 11/16	49 9/16
32	60	23.25	25.80	55.31	8.93	9.91	S	S	S	10.80	7.26	28 11/16	55 9/16
32	66	23.25	25.80	61.31	9.90	10.98	S	S	S	11.97	8.26	28 11/16	61 9/16
32	72	23.25	25.80	67.31	10.87	12.06	S	S	S	13.15	9.26	28 11/16	67 9/16
36	24	27.25	29.80	19.31	3.65	4.00	-	-	E	4.31	10.26	32 11/16	19 9/16
36	30	27.25	29.80	25.31	4.79	5.24	E	-	S	5.65	11.26	32 11/16	25 9/16
36	36	27.25	29.80	31.31	5.92	6.48	S	S	S	6.98	12.26	32 11/16	31 9/16
36	42	27.25	29.80	37.31	7.06	7.72	S	S	S	8.32	13.26	32 11/16	37 9/16
36	48	27.25	29.80	43.31	8.20	8.96	S	S	S	9.66	14.26	32 11/16	43 9/16
36	54	27.25	29.80	49.31	9.33	10.20	S	S	S	11.00	15.26	32 11/16	49 9/16
36	60	27.25	29.80	55.31	10.47	11.45	S	S	S	12.34	16.26	32 11/16	55 9/16
36	66	27.25	29.80	61.31	11.60	12.69	S	S	S	13.68	17.26	32 11/16	61 9/16
36	72	27.25	29.80	67.31	12.74	13.93	S	S	S	15.02	18.26	32 11/16	67 9/16
42	24	33.25	35.80	19.31	4.46	4.80	-	-	S	5.11	19.26	38 11/16	19 9/16
42	30	33.25	35.80	25.31	5.84	6.29	S	S	S	6.70	20.26	38 11/16	25 9/16
42	36	33.25	35.80	31.31	7.23	7.78	S	S	S	8.29	21.26	38 11/16	31 9/16
42	42	33.25	35.80	37.31	8.61	9.28	S	S	S	9.88	22.26	38 11/16	37 9/16
42	48	33.25	35.80	43.31	10.00	10.77	S	S	S	11.47	23.26	38 11/16	43 9/16
42	54	33.25	35.80	49.31	11.39	12.26	S	S	S	13.06	24.26	38 11/16	49 9/16
42	60	33.25	35.80	55.31	12.77	13.75	S	S	S	14.64	25.26	38 11/16	55 9/16



#### Egress Conversions

Standard Hardware	Width	Glass - 4.75"
	Height	Glass - 0.59"
Egress Hardware	Width	Glass - 2.20"
	Height	Glass - 0.59"

#### \* Egress Code Compliance Terminology

- E** Meets Code with Egress Hardware Only
- S** Meets Code with Standard Hardware
- Does Not Meet Code

Code Requirements	Min Width	Min Height	Min Area
U.S.	20"	24"	5.7
U.S. Grade Floor	20"	24"	5.0
Canada	15"	15"	3.77

# Revive Series

## CLAD AND HYBRID AWNING

### LITE, VENT & SCREEN MEASUREMENTS

Lite and Vent Measurements							
Awning							
Size		Clear Opening in Full Open Position			Screen Sizes		S.Q. FT.
Frame Width	Frame Height	Clear Opg Width	Clear Opg Depth	Clear Opg S.Q. FT	Width	Height	Daylite
24	18	20.13	14.25	1.99	20 11/16	13 9/16	1.72
24	20	20.13	14.25	1.99	20 11/16	15 9/16	1.98
24	24	20.13	14.25	1.99	20 11/16	19 9/16	2.50
24	28	20.13	14.25	1.99	20 11/16	23 9/16	3.03
24	30	20.13	14.25	1.99	20 11/16	25 9/16	3.30
24	36	20.13	14.25	1.99	20 11/16	31 9/16	4.09
24	42	20.13	14.25	1.99	20 11/16	37 9/16	4.88
24	48	20.13	14.25	1.99	20 11/16	43 9/16	5.67
24	54	20.13	14.25	1.99	20 11/16	49 9/16	6.47
24	60	20.13	14.25	1.99	20 11/16	55 9/16	7.26
28	18	24.13	14.25	2.39	24 11/16	13 9/16	2.08
28	20	24.13	14.25	2.39	24 11/16	15 9/16	2.40
28	24	24.13	14.25	2.39	24 11/16	19 9/16	3.03
28	28	24.13	14.25	2.39	24 11/16	23 9/16	3.67
28	30	24.13	14.25	2.39	24 11/16	25 9/16	4.00
28	36	24.13	14.25	2.39	24 11/16	31 9/16	4.95
28	42	24.13	14.25	2.39	24 11/16	37 9/16	5.91
28	48	24.13	14.25	2.39	24 11/16	43 9/16	6.87
28	54	24.13	14.25	2.39	24 11/16	49 9/16	7.83
28	60	24.13	14.25	2.39	24 11/16	55 9/16	8.78
30	18	26.13	14.25	2.59	26 11/16	13 9/16	2.25
30	20	26.13	14.25	2.59	26 11/16	15 9/16	2.60
30	24	26.13	14.25	2.59	26 11/16	19 9/16	3.30
30	28	26.13	14.25	2.59	26 11/16	23 9/16	4.00
30	30	26.13	14.25	2.59	26 11/16	25 9/16	4.34
30	36	26.13	14.25	2.59	26 11/16	31 9/16	5.38
30	42	26.13	14.25	2.59	26 11/16	37 9/16	6.42
30	48	26.13	14.25	2.59	26 11/16	43 9/16	7.47
30	54	26.13	14.25	2.59	26 11/16	49 9/16	8.51
30	60	26.13	14.25	2.59	26 11/16	55 9/16	9.55
32	18	28.13	14.25	2.78	28 11/16	13 9/16	2.37
32	20	28.13	14.25	2.78	28 11/16	15 9/16	2.74
32	24	28.13	14.25	2.78	28 11/16	19 9/16	3.48
32	28	28.13	14.25	2.78	28 11/16	23 9/16	4.23
32	30	28.13	14.25	2.78	28 11/16	25 9/16	4.60
32	36	28.13	14.25	2.78	28 11/16	31 9/16	5.71
32	42	28.13	14.25	2.78	28 11/16	37 9/16	6.64
32	48	28.13	14.25	2.78	28 11/16	43 9/16	7.94
32	54	28.13	14.25	2.78	28 11/16	49 9/16	9.06
32	60	28.13	14.25	2.78	28 11/16	55 9/16	10.17
36	18	32.13	14.25	3.18	32 11/16	13 9/16	2.80
36	20	32.13	14.25	3.18	32 11/16	15 9/16	3.23
36	24	32.13	14.25	3.18	32 11/16	19 9/16	4.09
36	28	32.13	14.25	3.18	32 11/16	23 9/16	4.95
36	30	32.13	14.25	3.18	32 11/16	25 9/16	5.38
36	36	32.13	14.25	3.18	32 11/16	31 9/16	6.67
36	42	32.13	14.25	3.18	32 11/16	37 9/16	7.97
36	48	32.13	14.25	3.18	32 11/16	43 9/16	9.26
36	54	32.13	14.25	3.18	32 11/16	49 9/16	10.55
36	60	32.13	14.25	3.18	32 11/16	55 9/16	11.84
42	18	38.13	14.25	3.77	38 11/16	13 9/16	3.34
42	20	38.13	14.25	3.77	38 11/16	15 9/16	3.85
42	24	38.13	14.25	3.77	38 11/16	19 9/16	4.88
42	28	38.13	14.25	3.77	38 11/16	23 9/16	5.91
42	30	38.13	14.25	3.77	38 11/16	25 9/16	6.42
42	36	38.13	14.25	3.77	38 11/16	31 9/16	7.96
42	42	38.13	14.25	3.77	38 11/16	37 9/16	9.51
42	48	38.13	14.25	3.77	38 11/16	43 9/16	11.05
42	54	38.13	14.25	3.77	38 11/16	49 9/16	12.95
42	60	38.13	14.25	3.77	38 11/16	55 9/16	14.13

\* These windows do not meet egress requirements. Verify local and state requirements with your local building inspector.

Lite and Vent Measurements							
Awning							
Size		Clear Opening in Full Open Position			Screen Sizes		S.Q. FT.
Frame Width	Frame Height	Clear Opg Width	Clear Opg Depth	S.Q. FT Clear Opg	Width	Height	Daylite
48	18	44.13	14.25	4.37	44 11/16	13 9/16	3.88
48	20	44.13	14.25	4.37	44 11/16	15 9/16	4.48
48	24	44.13	14.25	4.37	44 11/16	19 9/16	5.91
48	28	44.13	14.25	4.37	44 11/16	23 9/16	6.42
48	30	44.13	14.25	4.37	44 11/16	25 9/16	7.96
48	36	44.13	14.25	4.37	44 11/16	31 9/16	9.51
48	42	44.13	14.25	4.37	44 11/16	37 9/16	11.05
48	48	44.13	14.25	4.37	44 11/16	43 9/16	12.95
48	54	44.13	14.25	4.37	44 11/16	49 9/16	14.13
48	60	44.13	14.25	4.37	44 11/16	55 9/16	16.42
54	18	50.13	14.25	4.96	50 11/16	13 9/16	4.32
54	20	50.13	14.25	4.96	50 11/16	15 9/16	5.00
54	24	50.13	14.25	4.96	50 11/16	19 9/16	6.35
54	28	50.13	14.25	4.96	50 11/16	23 9/16	7.70
54	30	50.13	14.25	4.96	50 11/16	25 9/16	8.38
54	36	50.13	14.25	4.96	50 11/16	31 9/16	10.41
54	42	50.13	14.25	4.96	50 11/16	37 9/16	12.59
54	48	50.13	14.25	4.96	50 11/16	43 9/16	14.63
54	54	50.13	14.25	4.96	50 11/16	49 9/16	16.67
54	60	50.13	14.25	4.96	50 11/16	55 9/16	18.72
60	18	56.13	14.25	5.55	56 11/16	13 9/16	4.85
60	20	56.13	14.25	5.55	56 11/16	15 9/16	5.61
60	24	56.13	14.25	5.55	56 11/16	19 9/16	7.13
60	28	56.13	14.25	5.55	56 11/16	23 9/16	8.65
60	30	56.13	14.25	5.55	56 11/16	25 9/16	9.41
60	36	56.13	14.25	5.55	56 11/16	31 9/16	11.69
60	42	56.13	14.25	5.55	56 11/16	37 9/16	14.13
60	48	56.13	14.25	5.55	56 11/16	43 9/16	16.42
60	54	56.13	14.25	5.55	56 11/16	49 9/16	18.72
60	60	56.13	14.25	5.55	56 11/16	55 9/16	21.00

\* These windows do not meet egress requirements. Verify local and state requirements with your local building inspector.

