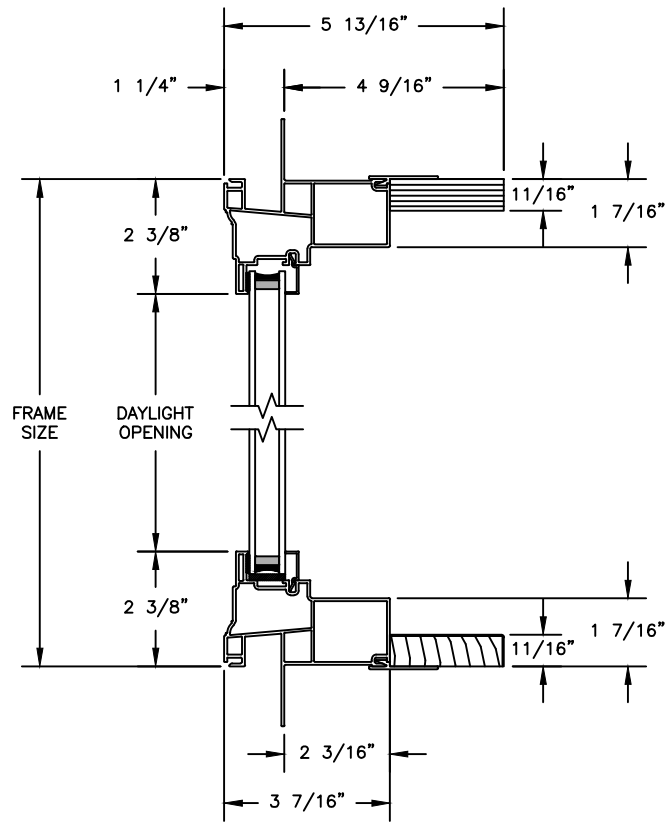


Next Dimension Classic Series

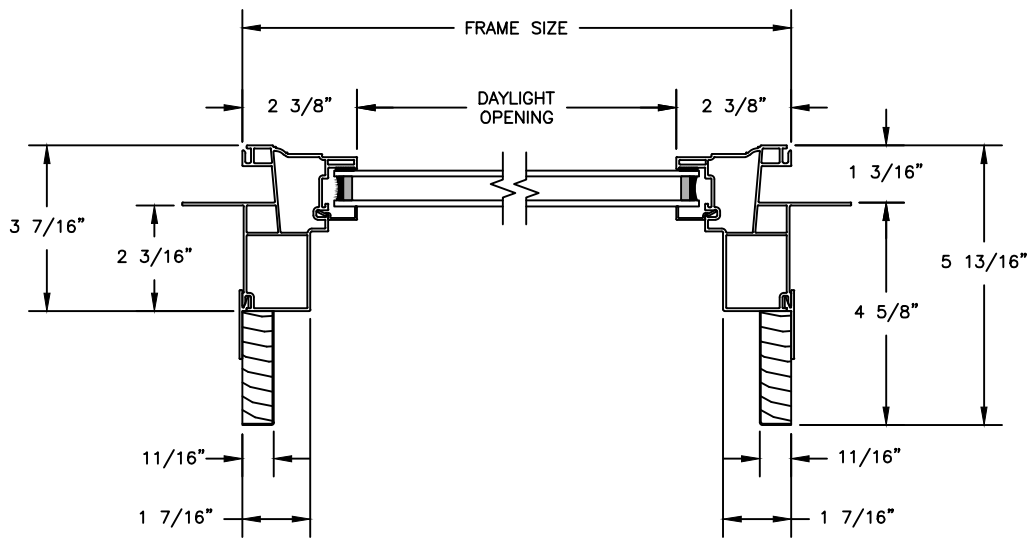
RADIUS - SINGLE HUNG

SECTION DETAILS

SCALE: 3" = 1'-0"



HEAD JAMB & SILL



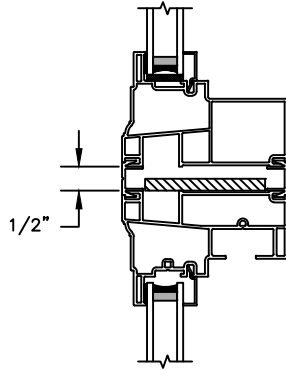
JAMBS

Next Dimension Classic Series

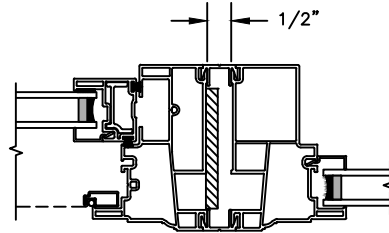
RADIUS - SINGLE HUNG

SECTION DETAILS: MULLIONS

SCALE: 3" = 1'-0"



HORIZONTAL 1/2" MULLION
RADIUS/OPERATOR



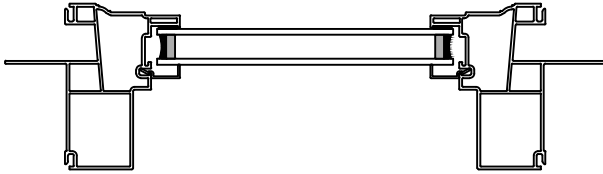
VERTICAL 1/2" MULLION
OPERATOR/RADIUS

Next Dimension Classic Series

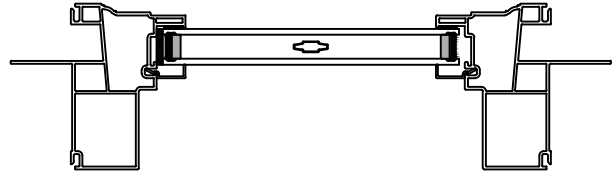
RADIUS - SINGLE HUNG

SECTION DETAILS : DIVIDED LITE OPTIONS

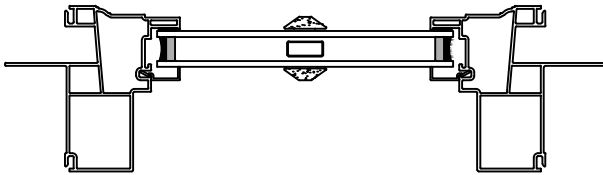
SCALE: 3" = 1'-0"



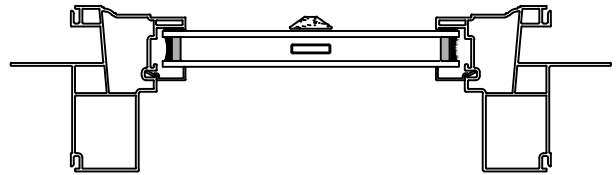
INSULATING GLASS



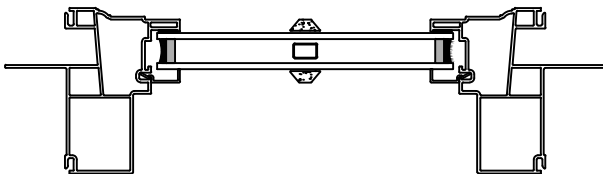
3/4" PROFILED INNERGRILLE



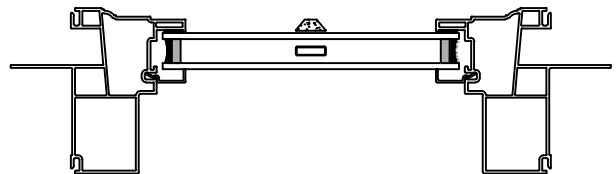
7/8" PUTTY WDL
WITH INNERBAR



7/8" PUTTY WDL (EXTERIOR ONLY)
WITH 13/16" FLAT INNERGRILLE



5/8" PUTTY WDL
WITH INNERBAR



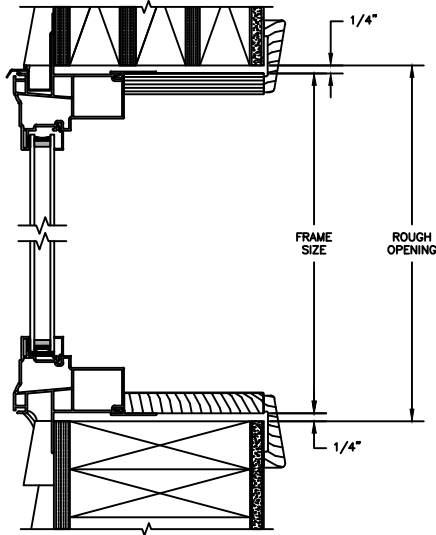
5/8" PUTTY WDL (EXTERIOR ONLY)
WITH 5/8" FLAT INNERGRILLE

Next Dimension Classic Series

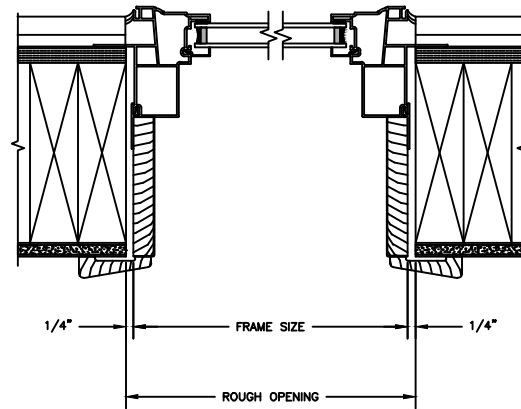
RADIUS - SINGLE HUNG

SECTION DETAILS : CONSTRUCTION

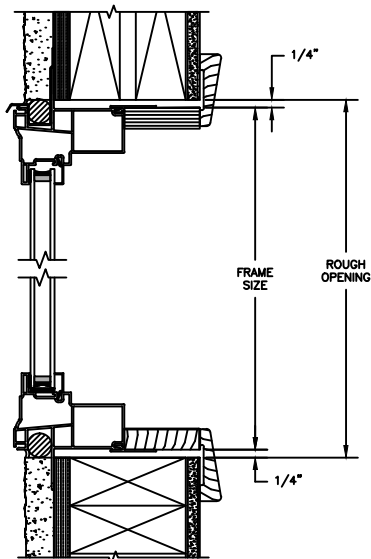
SCALE: 2" = 1'-0"



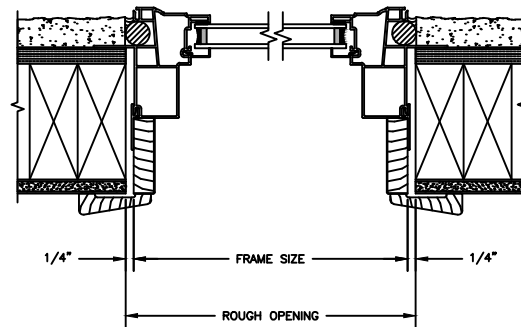
HEAD JAMB & SILL
2 X 6 FRAME WITH SIDING



JAMBS
2 X 6 FRAME WITH SIDING



HEAD JAMB & SILL
2 X 4 FRAME WITH STUCCO



JAMBS
2 X 4 FRAME WITH STUCCO

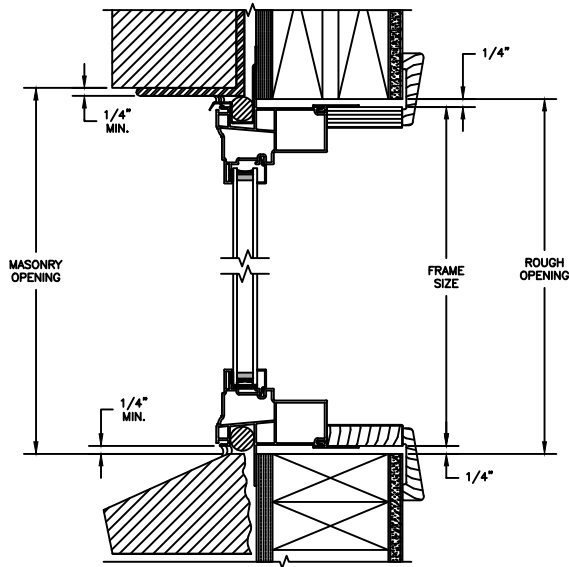
NOTE:
THE ABOVE WALL SECTIONS REPRESENT TYPICAL WALL CONDITIONS, THESE DETAILS ARE NOT INTENDED AS INSTALLATIONS INSTRUCTIONS. PLEASE REFER TO THE INSTALLATION INSTRUCTIONS PROVIDED WITH THE PURCHASED UNITS.

Next Dimension Classic Series

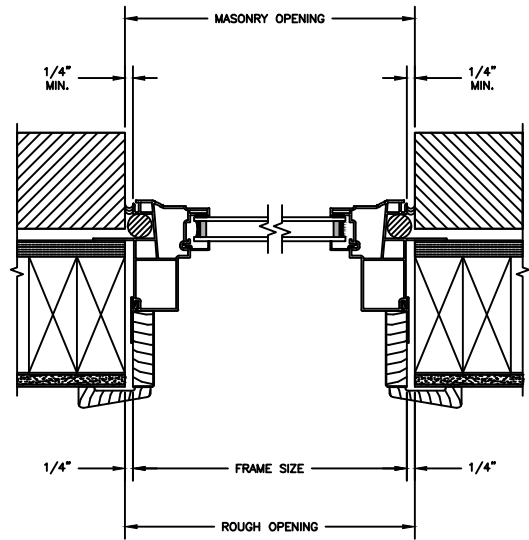
RADIUS - SINGLE HUNG

SECTION DETAILS : CONSTRUCTION

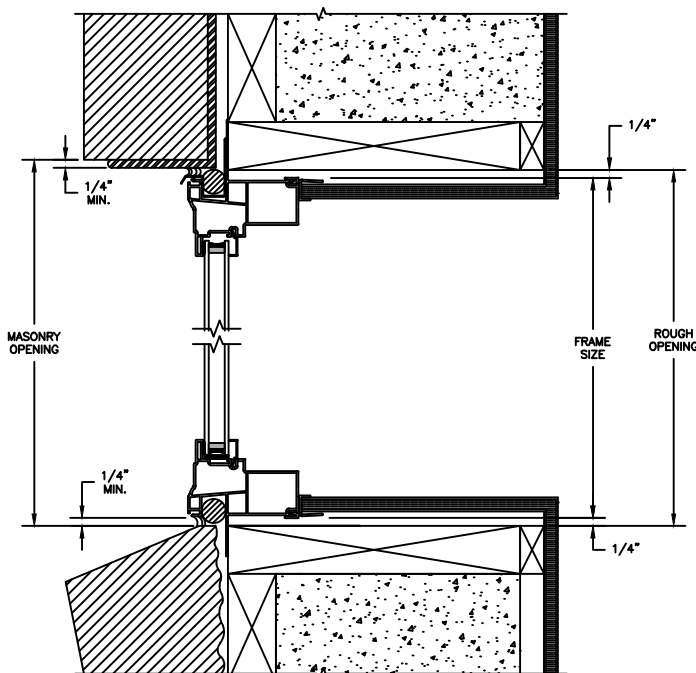
SCALE: 2" = 1'-0"



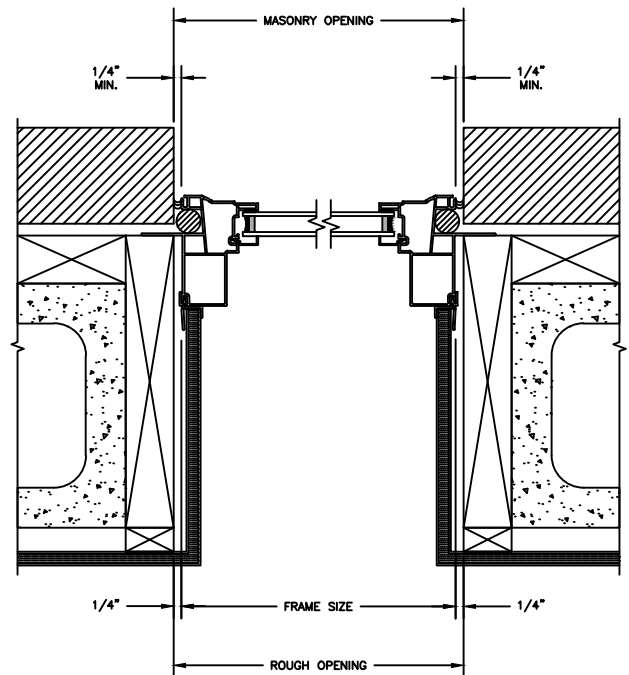
HEAD JAMB & SILL
2 X 4 FRAME WITH BRICK VENEER



JAMBS
2 X 4 FRAME WITH BRICK VENEER



HEAD JAMB & SILL
8" CONCRETE BLOCK WALL
WITH BRICK VENEER



JAMBS
8" CONCRETE BLOCK WALL
WITH BRICK VENEER

NOTE:
THE ABOVE WALL SECTIONS REPRESENT TYPICAL WALL CONDITIONS, THESE DETAILS ARE NOT INTENDED AS INSTALLATIONS INSTRUCTIONS. PLEASE REFER TO THE INSTALLATION INSTRUCTIONS PROVIDED WITH THE PURCHASED UNITS.