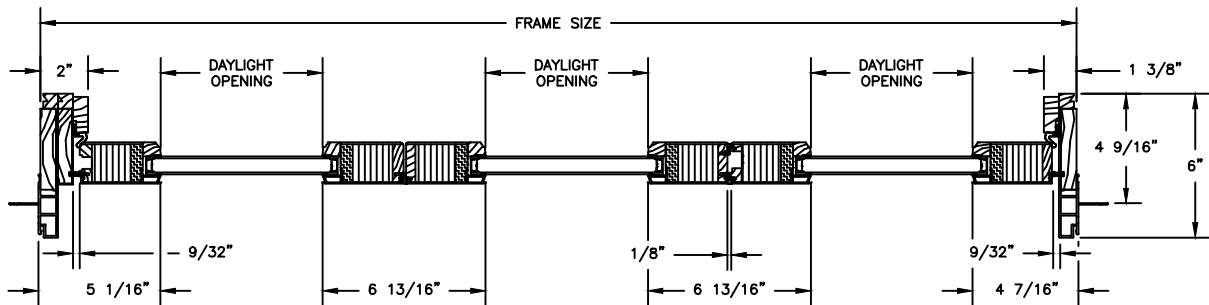
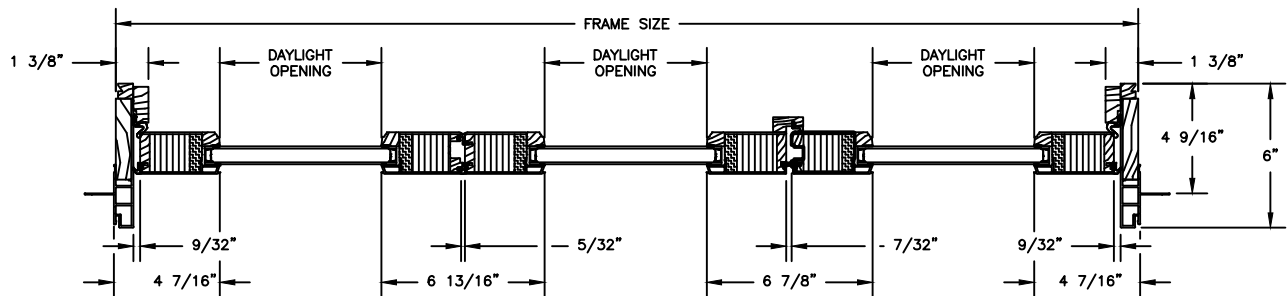
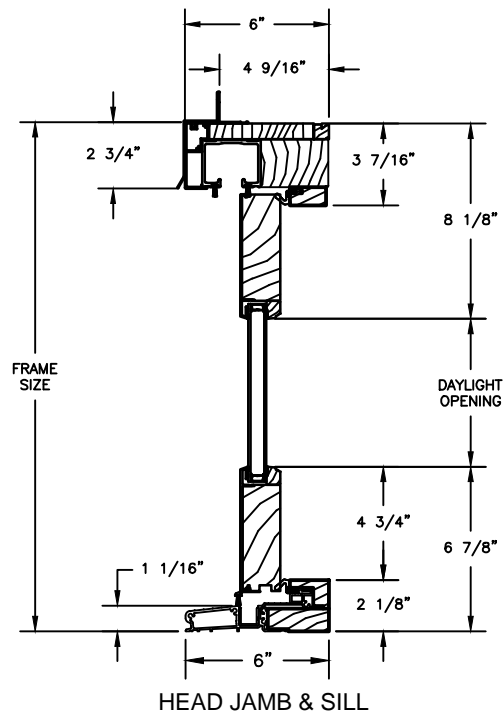


Pinnacle Series

CLAD NARROW OUTSWING BI-FOLD DOOR

SECTION DETAILS: 4 9/16" JAMB

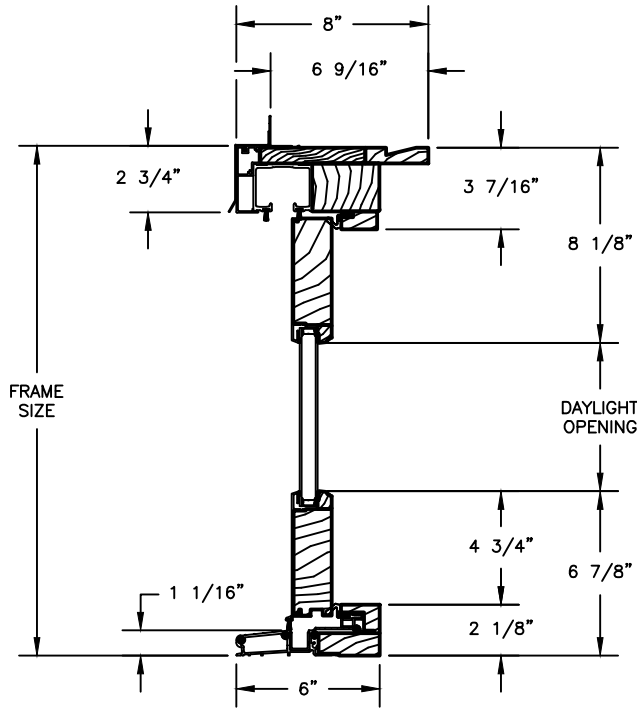
SCALE: 1 1/2" = 1'-0"



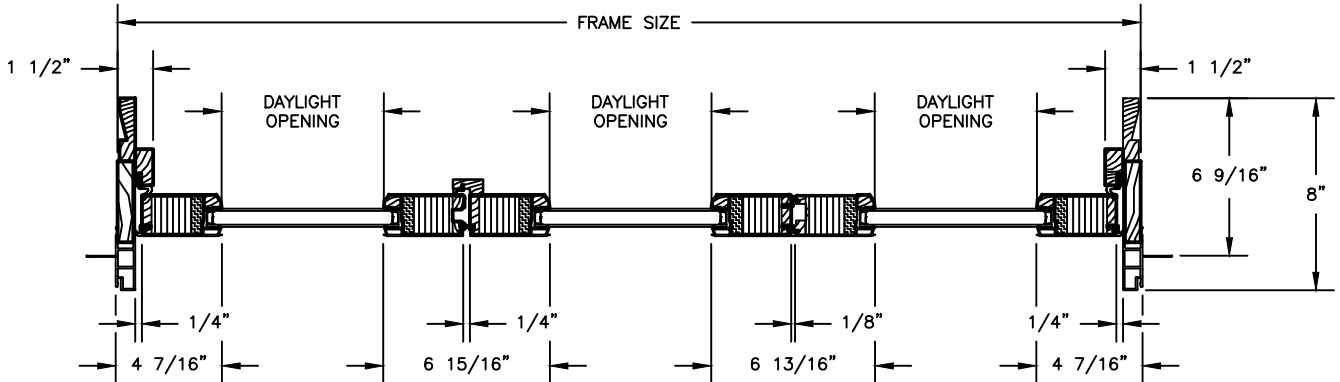
Pinnacle Series

CLAD NARROW OUTSWING BI-FOLD DOOR

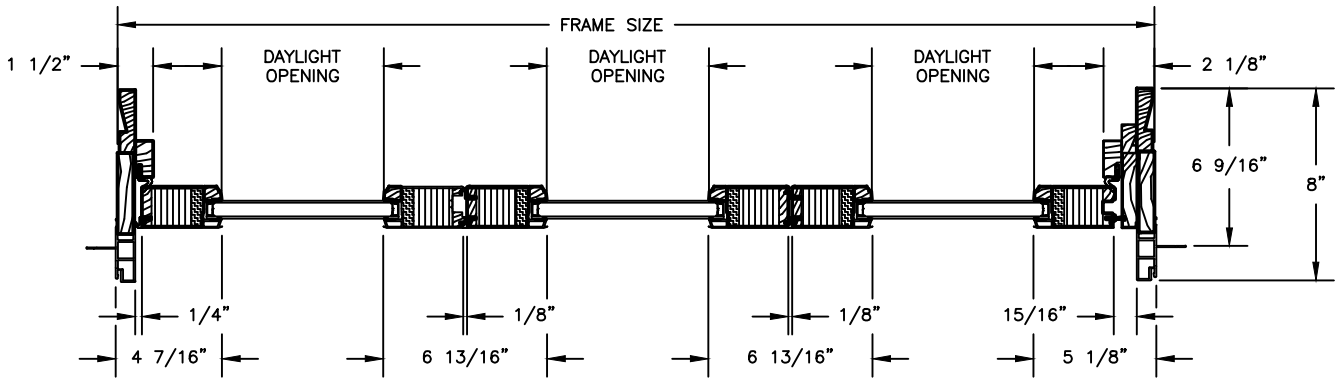
SECTION DETAILS: 6 9/16" JAMB
 SCALE: 1 1/2" = 1'-0"



HEAD JAMB & SILL



SIDE JAMB W/ ASTRAGAL



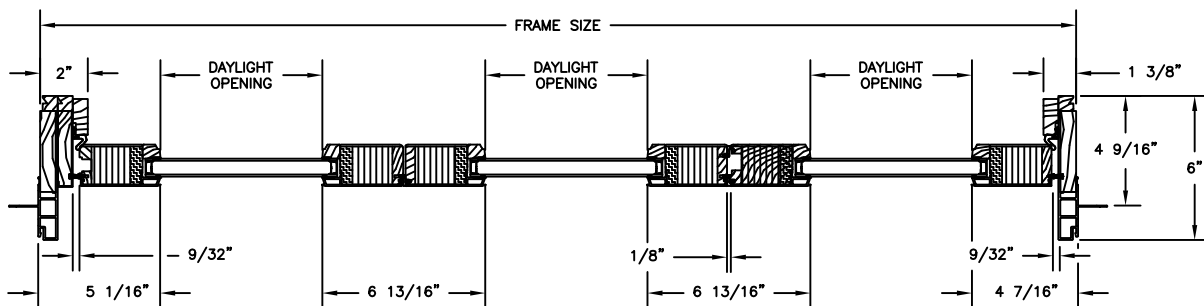
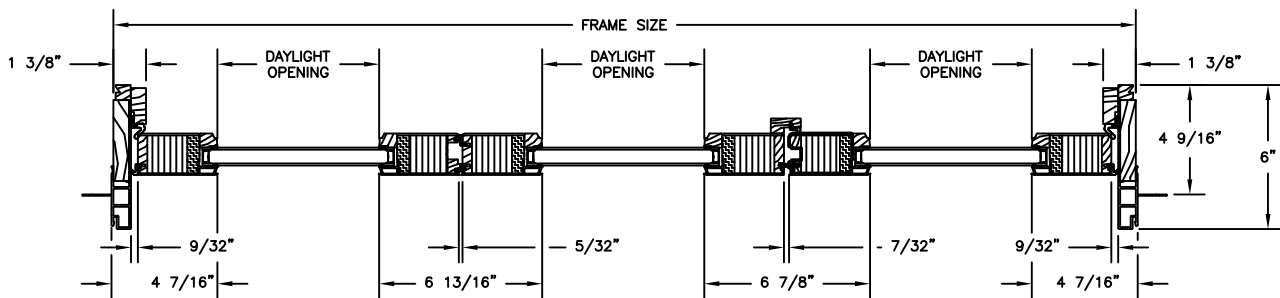
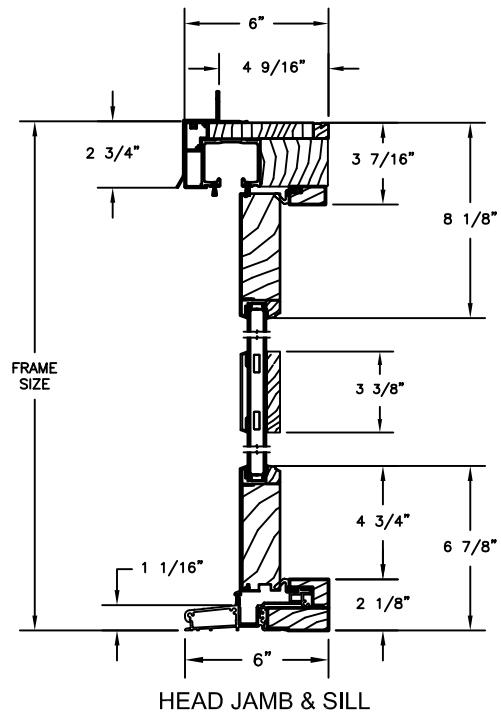
SIDE JAMB W/ JAMB STRIKE

Pinnacle Series

CLAD NARROW BI-FOLD SIMULATED MIDRAIL

SECTION DETAILS: 4 9/16" JAMB

SCALE: 1 1/2" = 1'-0"



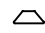


Pinnacle Series

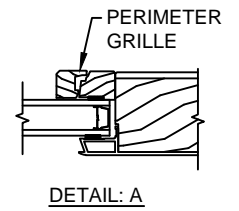
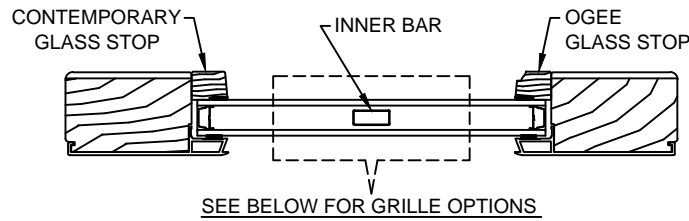
CLAD NARROW OUTSWING BI-FOLD DOOR

SECTION DETAILS : GLASS STOP & DIVIDED LITE OPTIONS

SCALE: 3" = 1'-0"

AVAILABLE STYLES

-  - PUTTY
-  - OGEE
-  - CONTEMPORARY

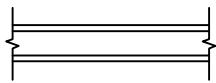


5/8" WDL WITH
INNER BAR

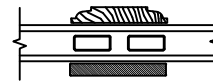
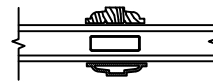
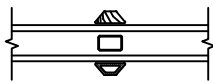
7/8" WDL WITH
INNERBAR

1 1/4" WDL WITH
INNERBAR

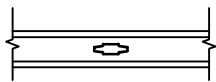
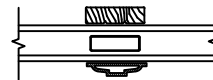
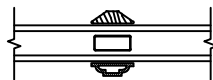
2" WDL WITH
INNERBAR



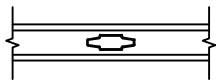
STANDARD
INSULATING GLASS



13/16" INNERGRILLE



3/4" PROFILED
INNERGRILLE



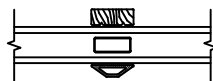
1" PROFILED
INNERGRILLE



7/8" STICK &
PERIMETER GRILLE



1 1/4" STICK &
PERIMETER GRILLE



NOTE:

* ALL WDL OPTIONS CAN BE ORDERED WITH OR WITHOUT INNER BAR

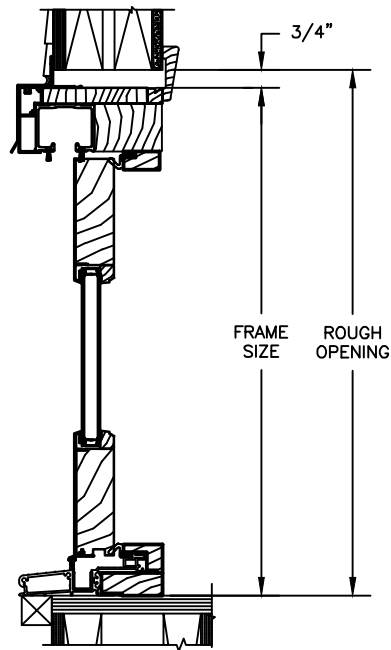
* PERIMETER GRILLES ONLY AVAILABLE IN THE 7/8" AND 1 1/4" OGEE STYLE GLASS STOP (SEE DETAIL: A)

Pinnacle Series

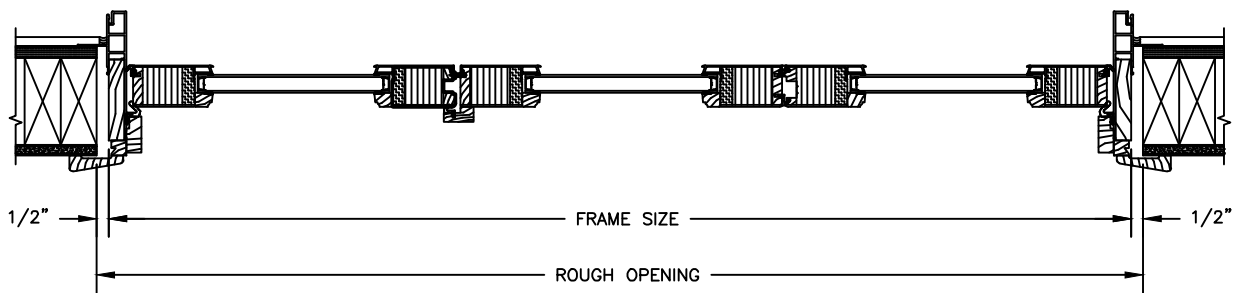
CLAD NARROW OUTSWING BI-FOLD DOOR

SECTION DETAILS : CONSTRUCTION

SCALE: 1 1/2" = 1'-0"



HEAD JAMB & SILL
2 X 6 FRAME WITH SIDING



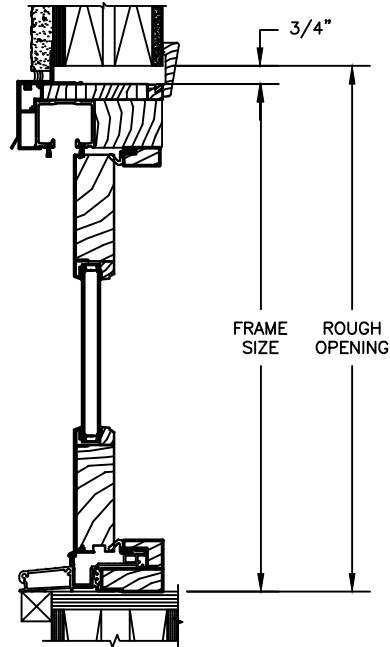
JAMBS
2 X 6 FRAME WITH SIDING

Pinnacle Series

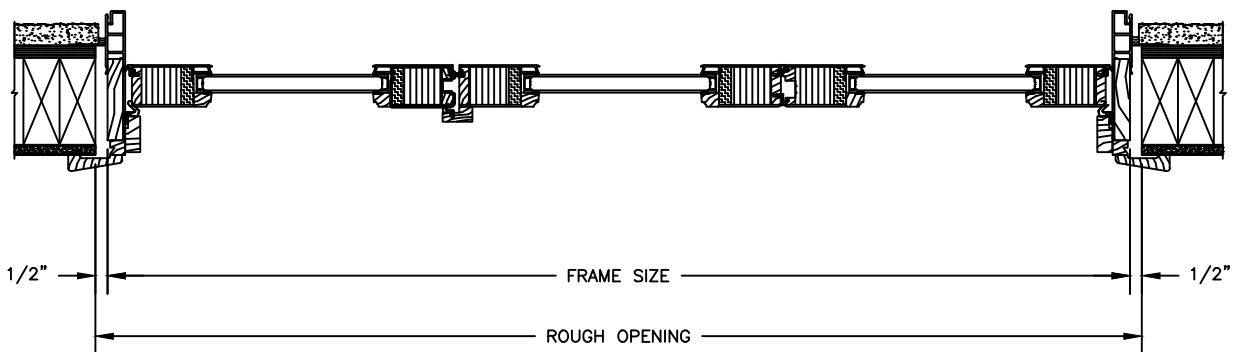
CLAD NARROW OUTSWING BI-FOLD DOOR

SECTION DETAILS : CONSTRUCTION

SCALE: 1 1/2" = 1'-0"



HEAD JAMB & SILL
2 X 4 FRAME WITH STUCCO



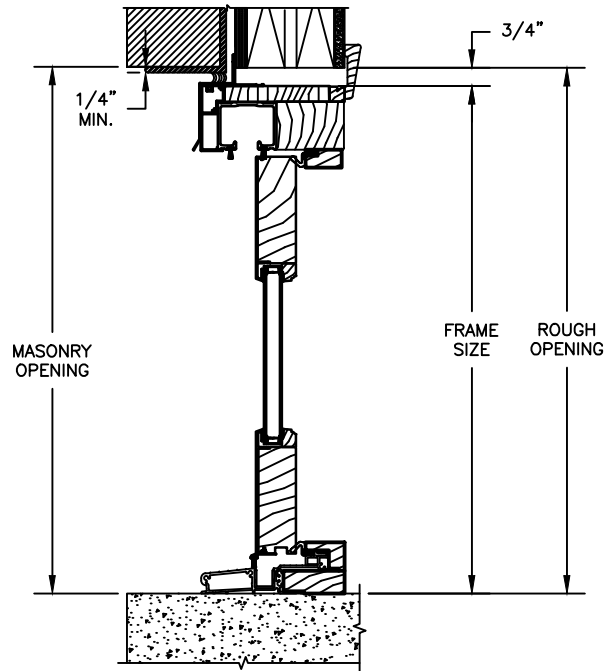
JAMBS
2 X 4 FRAME WITH STUCCO

Pinnacle Series

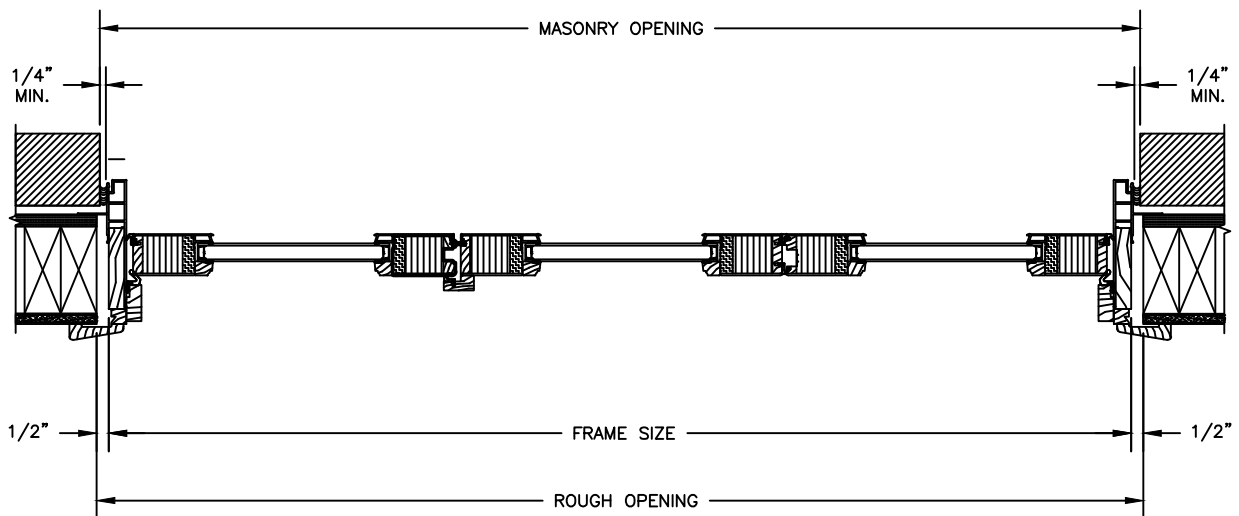
CLAD NARROW OUTSWING BI-FOLD DOOR

SECTION DETAILS : CONSTRUCTION

SCALE: 1 1/2" = 1'-0"



HEAD JAMB & SILL
2 X 6 FRAME WITH BRICK VENEER



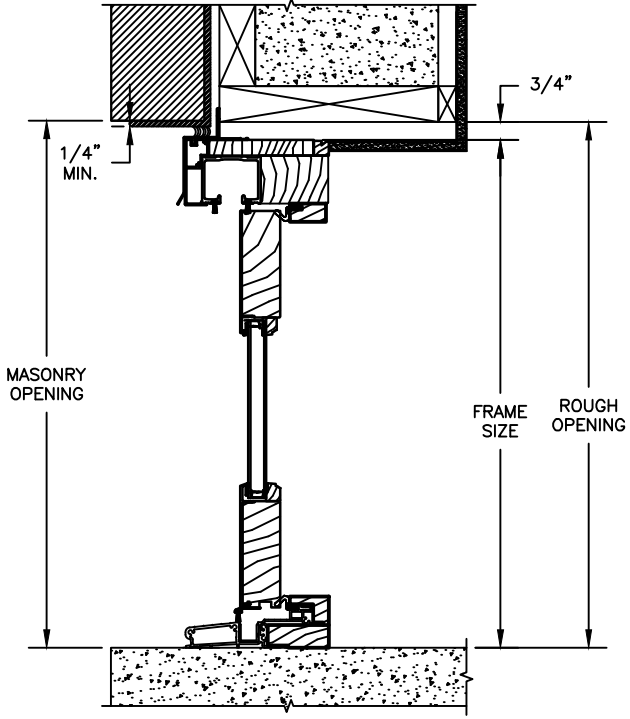
JAMBS
2 X 6 FRAME WITH BRICK VENEER

Pinnacle Series

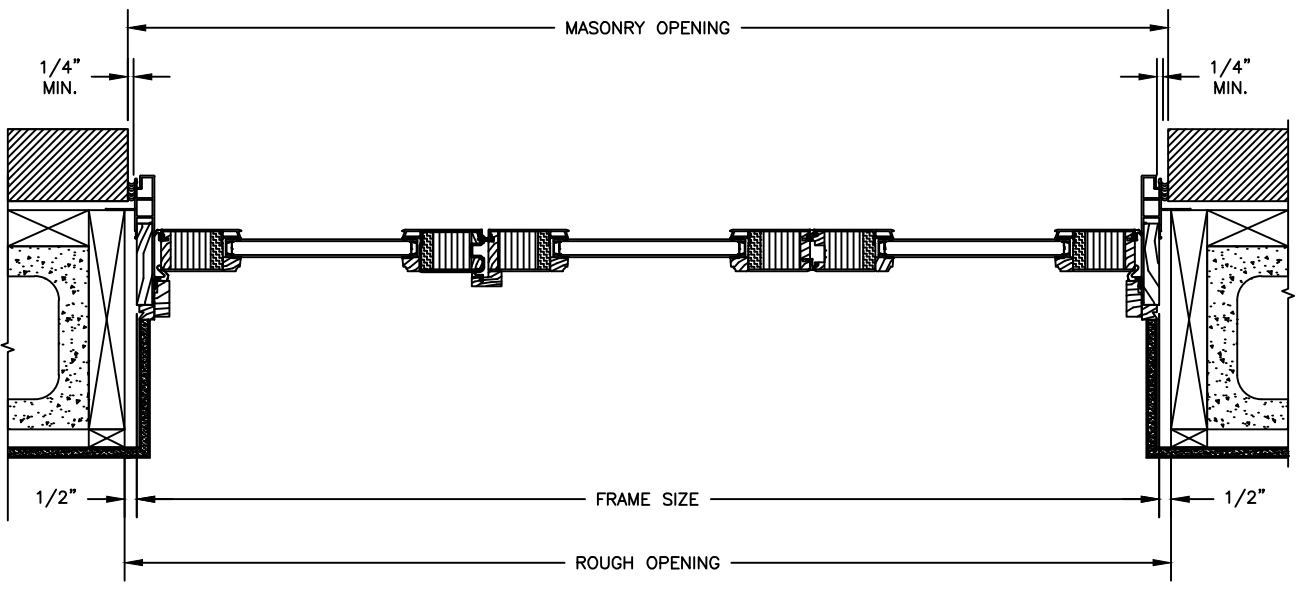
CLAD NARROW OUTSWING BI-FOLD DOOR

SECTION DETAILS : CONSTRUCTION

SCALE: 1 1/2" = 1'-0"



HEAD JAMB & SILL
8" CONCRETE BLOCK WALL
WITH BRICK VENEER



JAMBS
8" CONCRETE BLOCK WALL
WITH BRICK VENEER