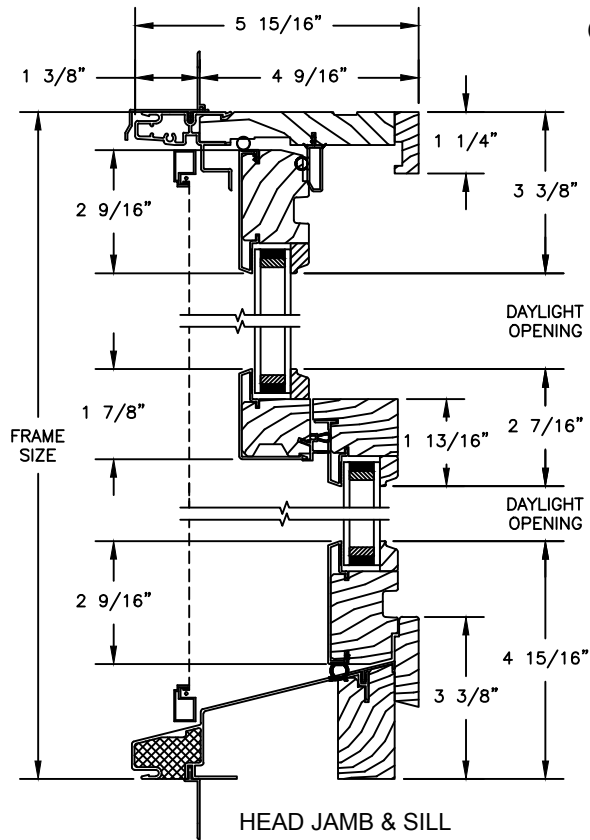


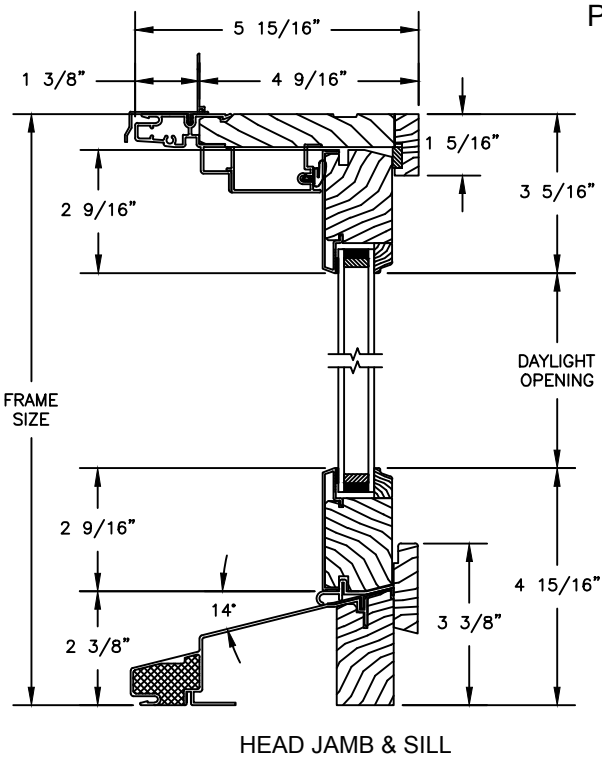
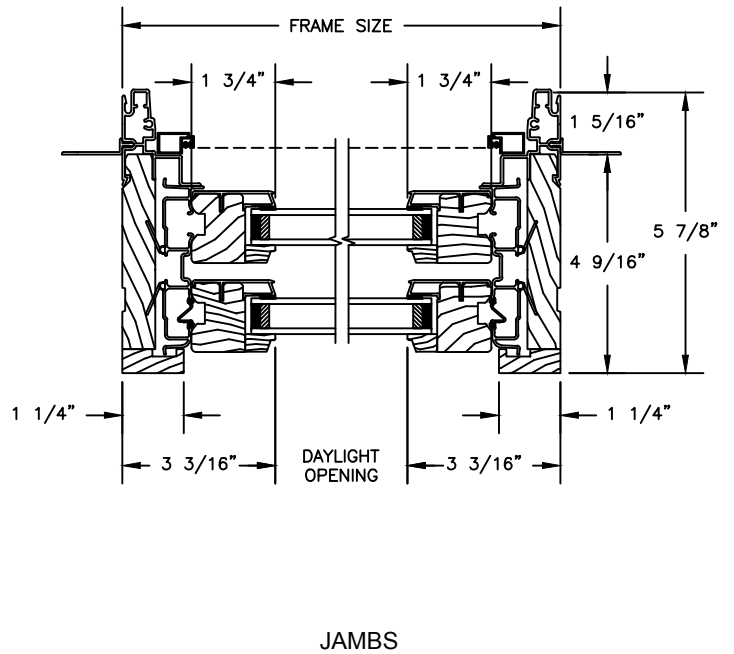
Pinnacle Series

CLAD DOUBLE HUNG

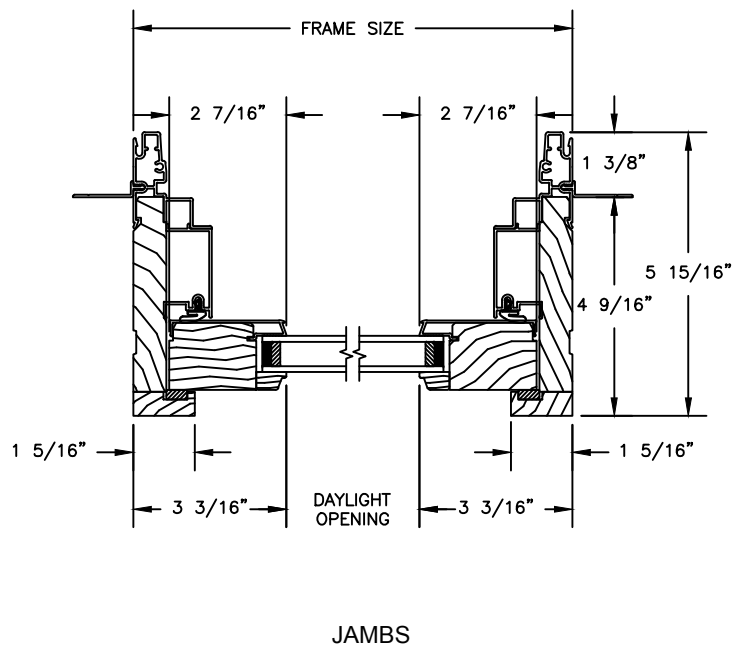
SECTION DETAILS : OPERATING / PICTURE
 SCALE: 3" = 1'-0"



OPERATING



PICTURE

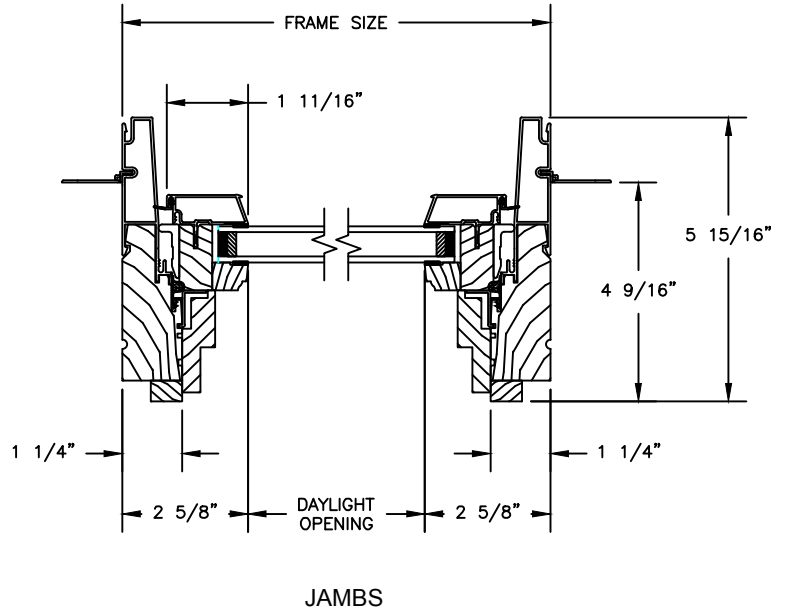
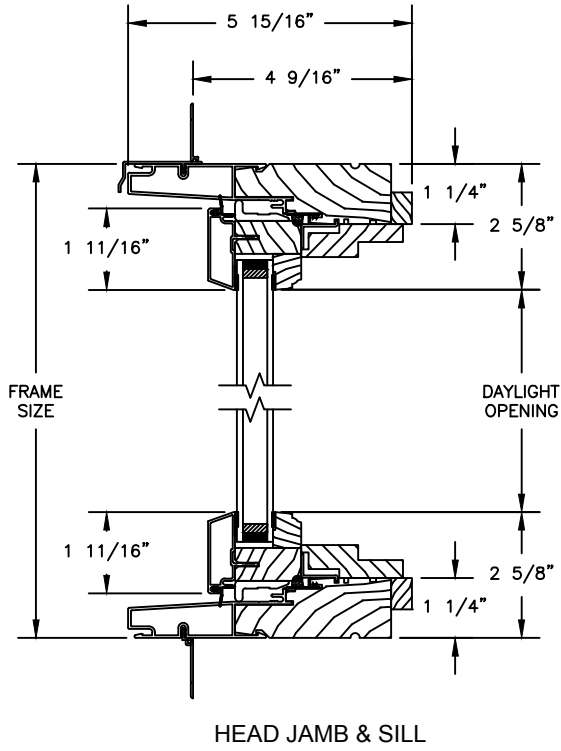


Pinnacle Series

CLAD DOUBLE HUNG

SECTION DETAILS : TRANSOM
 SCALE: 3" = 1'-0"

TRANSOM

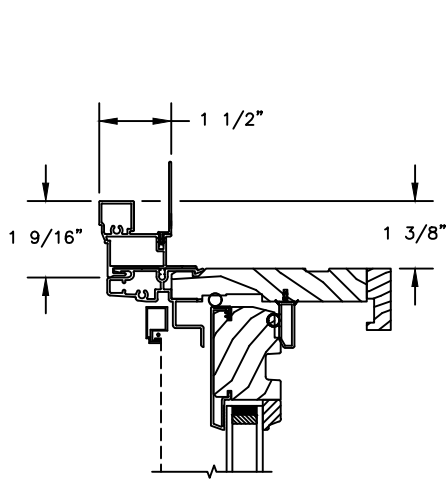


Pinnacle Series

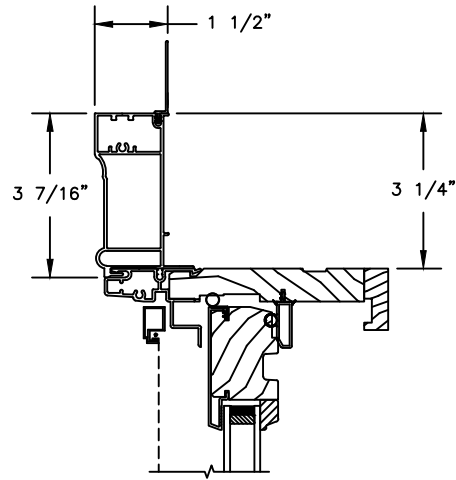
CLAD DOUBLE HUNG

SECTION DETAILS : CASING OPTIONS

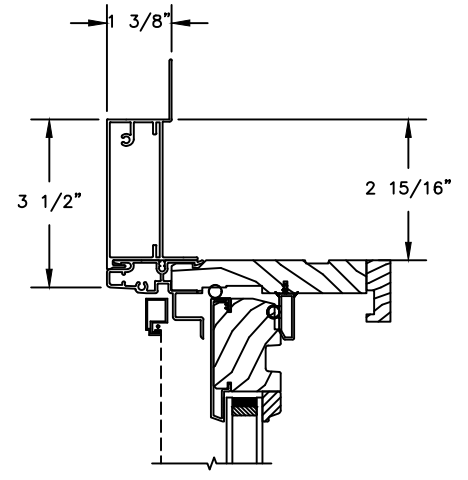
SCALE: 3" = 1'-0"



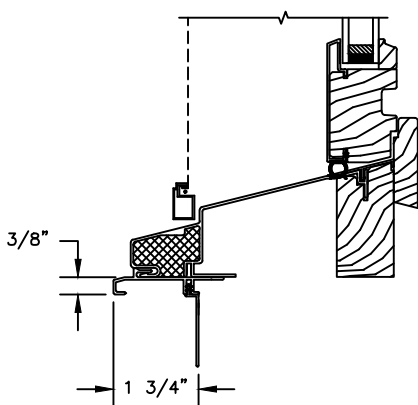
HEAD JAMB WITH
CLAD BRICKMOULD CASING



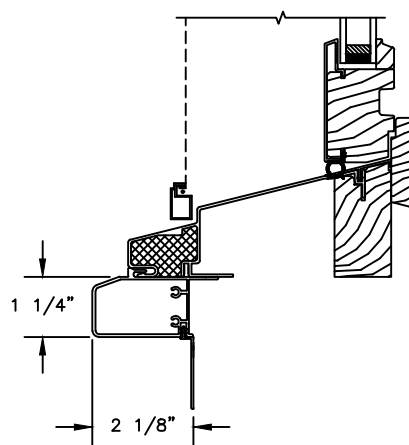
HEAD JAMB WITH
CLAD WILLIAMSBURG CASING



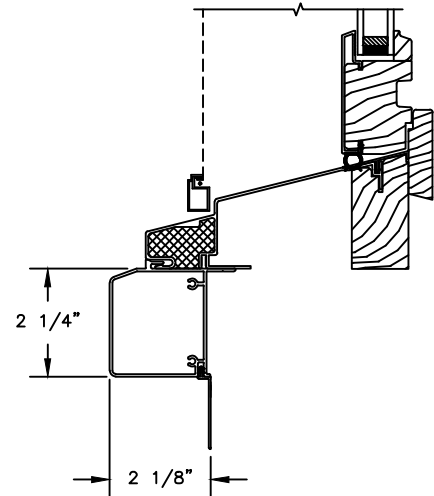
HEAD JAMB WITH
3 1/2" CLAD FLAT CASING



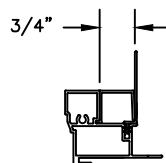
SILL WITH
3/8" CLAD SUBSILL



SILL WITH
1 1/4" CLAD SUBSILL



SILL WITH
2 1/4" CLAD SUBSILL



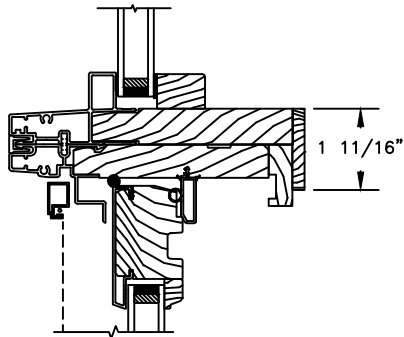
CLAD BRICKMOULD CASING
WITH OPTIONAL J-CHANNEL COVER

Pinnacle Series

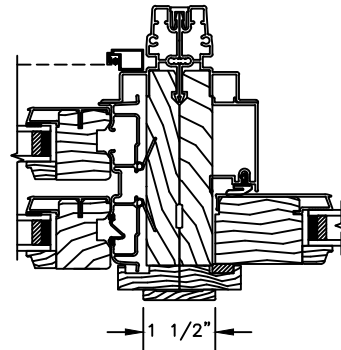
CLAD DOUBLE HUNG

SECTION DETAILS : MULLIONS

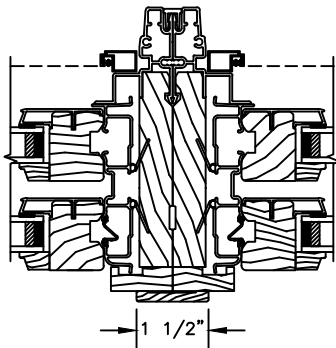
SCALE: 3" = 1'-0"



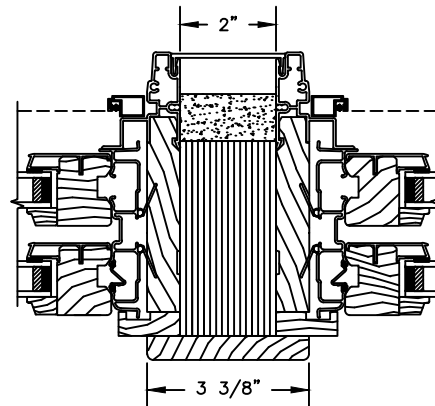
HORIZONTAL MULLION
RADIUS/OPERATOR



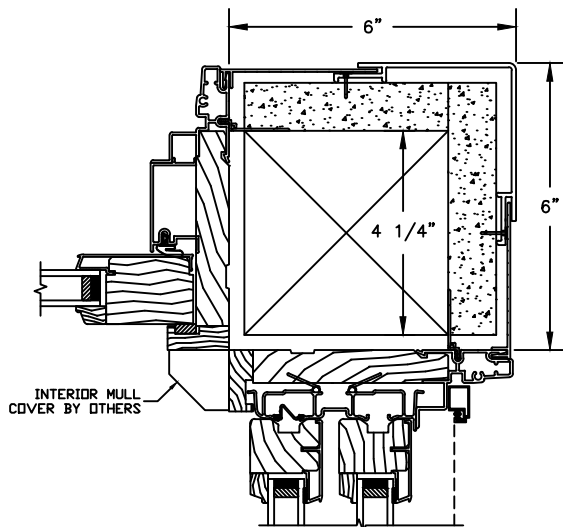
VERTICAL MULLION
OPERATOR/PICTURE



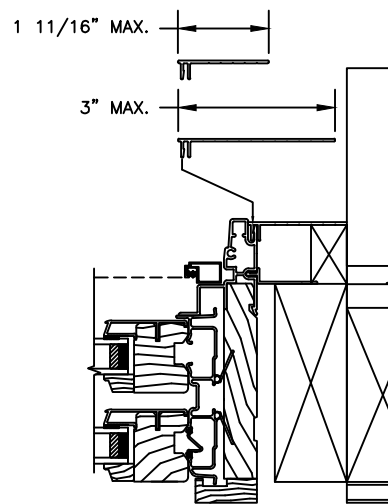
VERTICAL MULLION
OPERATOR/OPERATOR



VERTICAL MULLION WITH
2" SPREAD MULL
ADDITIONAL WIDTHS INCLUDE:
1", 2", 2 1/2", 3", & 4"



90° MULLION
PICTURE/OPERATOR
(ONLY USED WITH 4 9/16" JAMB & 3 1/4"
FRAME EXPANDER)



NOTE:
FOR INFORMATION ON STRUCTURAL MULLIONS REFER TO
THE PRODUCT PERFORMANCE AND INFORMATION SECTION.

Pinnacle Series

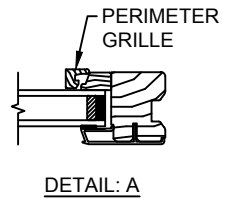
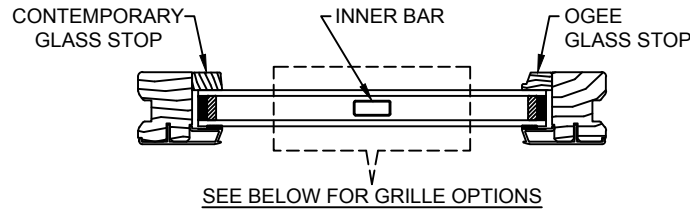
CLAD DOUBLE HUNG

SECTION DETAILS : DIVIDED LITE OPTIONS

SCALE: 3" = 1'-0"

AVAILABLE STYLES

-  - PUTTY
-  - OGEE
-  - CONTEMPORARY



	5/8" WDL WITH INNER BAR	7/8" WDL WITH INNERBAR	1 1/4" WDL WITH INNERBAR	2" WDL WITH INNERBAR
STANDARD INSULATING GLASS				
13/16" INNERGRILLE				
3/4" PROFILED INNERGRILLE				
1" PROFILED INNERGRILLE				
7/8" STICK GRILLE				
1 1/4" STICK GRILLE				

NOTE:

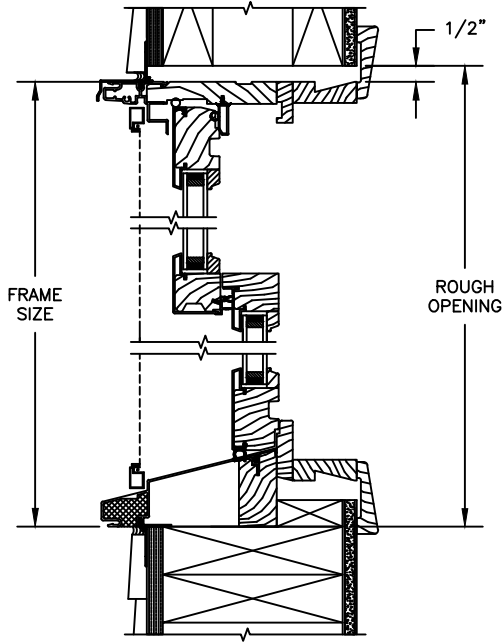
* ALL WDL OPTIONS CAN BE ORDERED WITH OR WITHOUT INNER BAR

* PERIMETER GRILLES ONLY AVAILABLE IN THE 7/8" AND 1 1/4" OGEE STYLE GLASS STOP (SEE DETAIL: A)

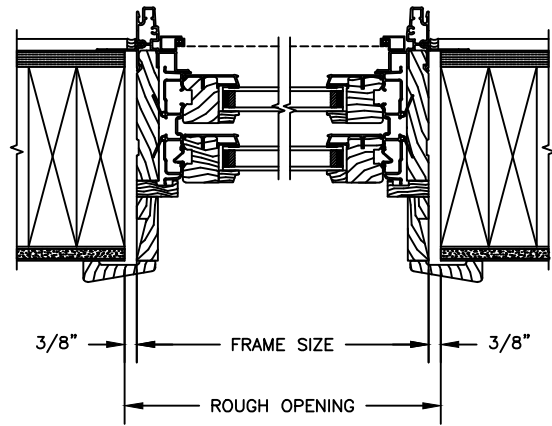
Pinnacle Series

CLAD DOUBLE HUNG

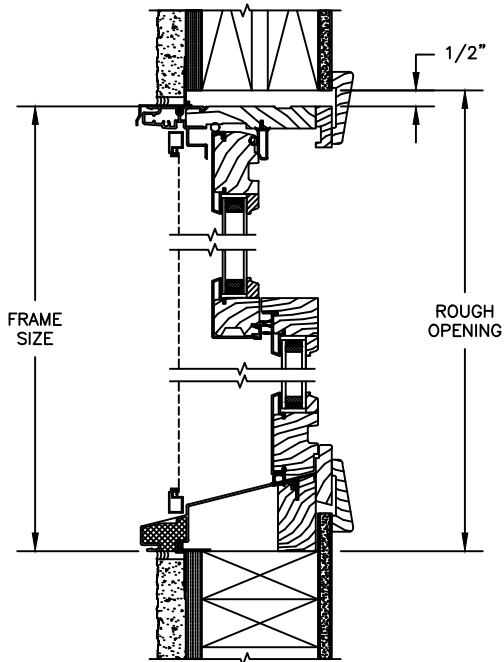
SECTION DETAILS : CONSTRUCTION
SCALE: 2" = 1'-0"



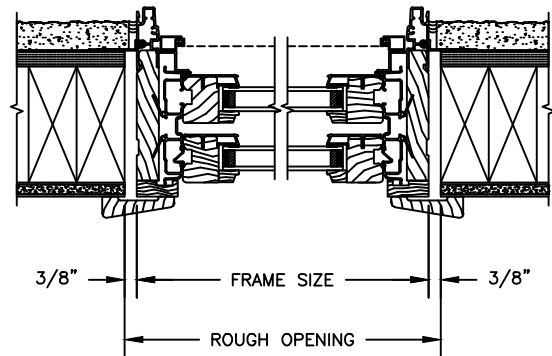
HEAD JAMB & SILL
2 X 6 FRAME WITH SIDING



HEAD JAMB & SILL
2 X 6 FRAME WITH SIDING



HEAD JAMB & SILL
2 X 4 FRAME WITH STUCCO



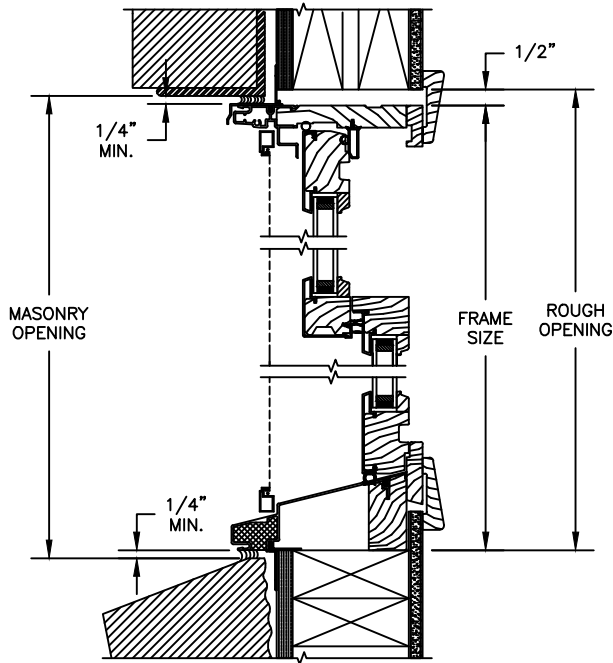
JAMBS
2 X 4 FRAME WITH STUCCO

NOTE:
THE ABOVE WALL SECTIONS REPRESENT TYPICAL WALL CONDITIONS. THESE DETAILS ARE NOT INTENDED AS INSTALLATION INSTRUCTIONS. PLEASE REFER TO THE INSTALLATION INSTRUCTIONS PROVIDED WITH THE PURCHASED UNITS.

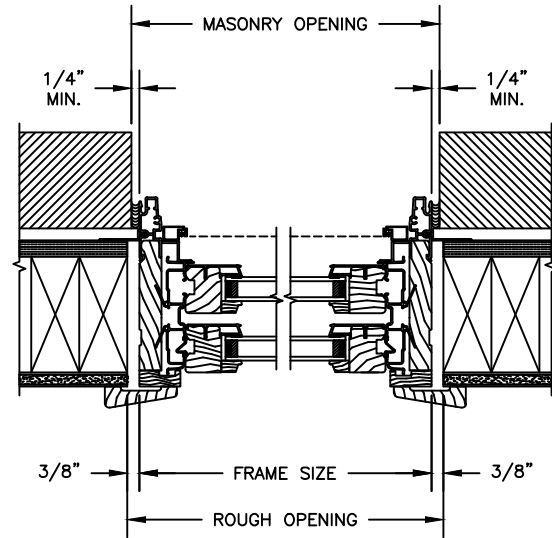
Pinnacle Series

CLAD DOUBLE HUNG

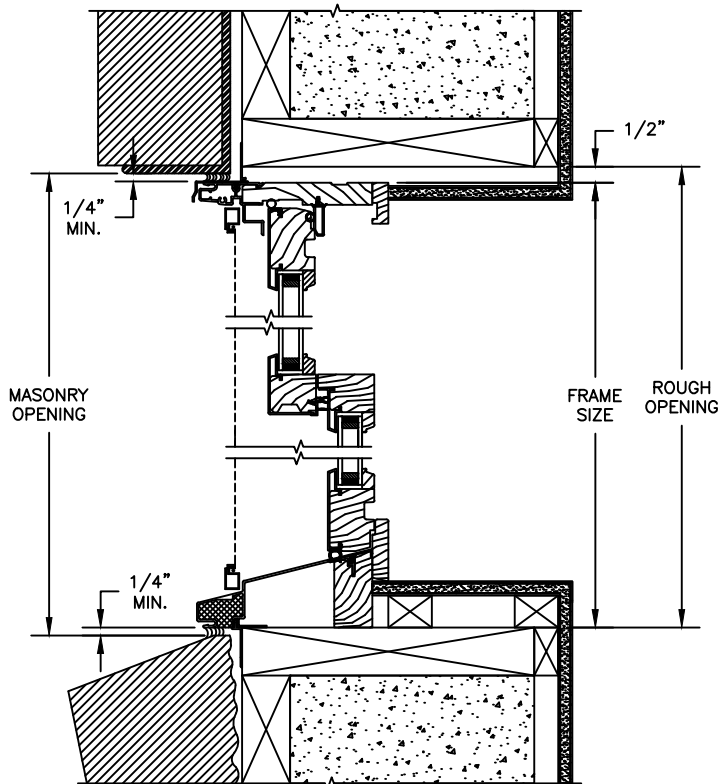
SECTION DETAILS : CONSTRUCTION
 SCALE: 2" = 1'-0"



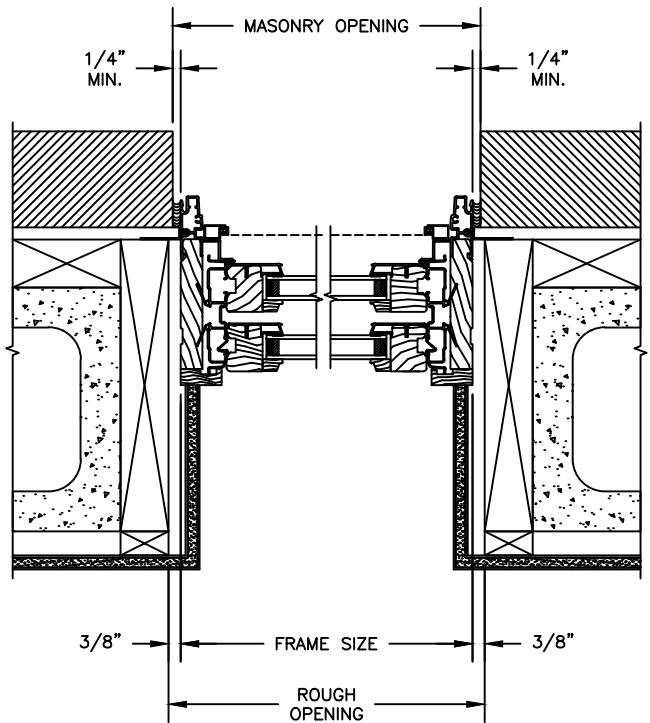
HEAD JAMB & SILL
 2 X 4 FRAME WITH BRICK VENEER



JAMBS
 2 X 4 FRAME WITH BRICK VENEER



HEAD JAMB & SILL
 8" CONCRETE BLOCK WALL
 WITH BRICK VENEER



JAMBS
 8" CONCRETE BLOCK WALL
 WITH BRICK VENEER

Pinnacle Series

CLAD DOUBLE HUNG

SECTION DETAILS : 30/45 DEGREES BAY
 SCALE: 2" = 1'-0"

