

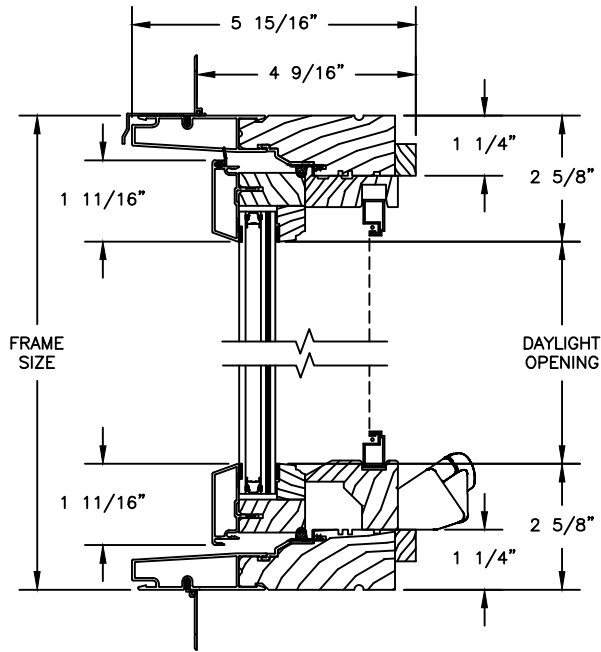
Pinnacle Impact Series

CLAD AWNING

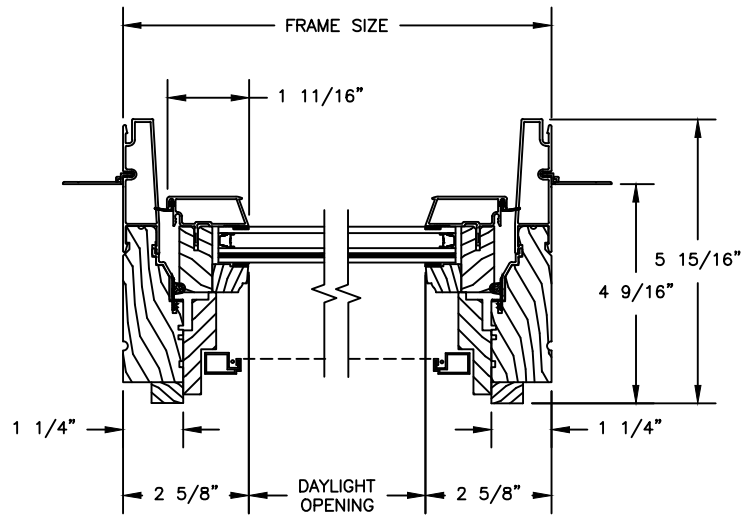
SECTION DETAILS : OPERATING / STATIONARY

SCALE: 3" = 1'-0"

OPERATING

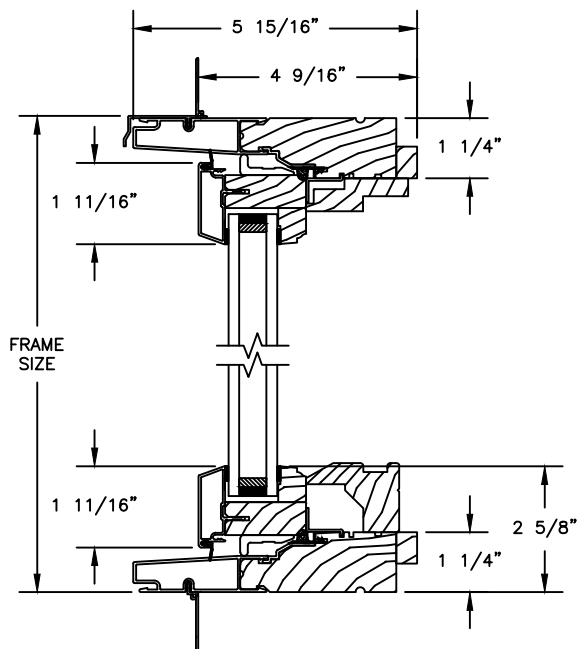


HEAD JAMB & SILL

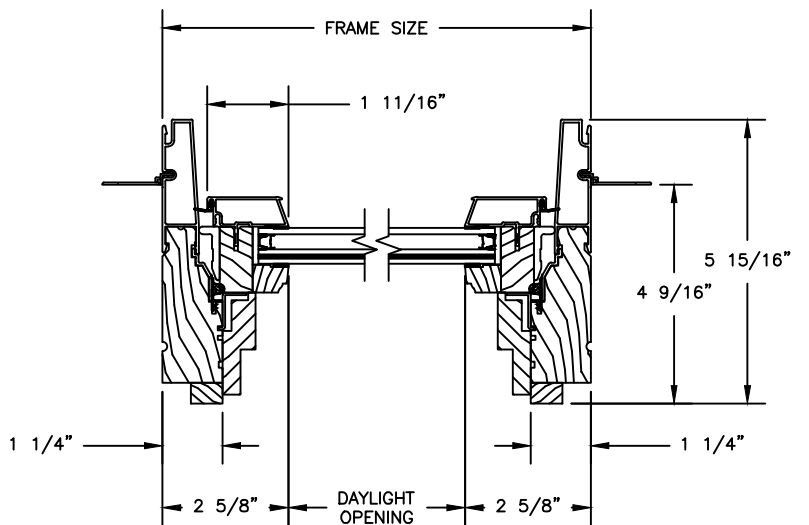


JAMBS

STATIONARY



HEAD JAMB & SILL



JAMBS

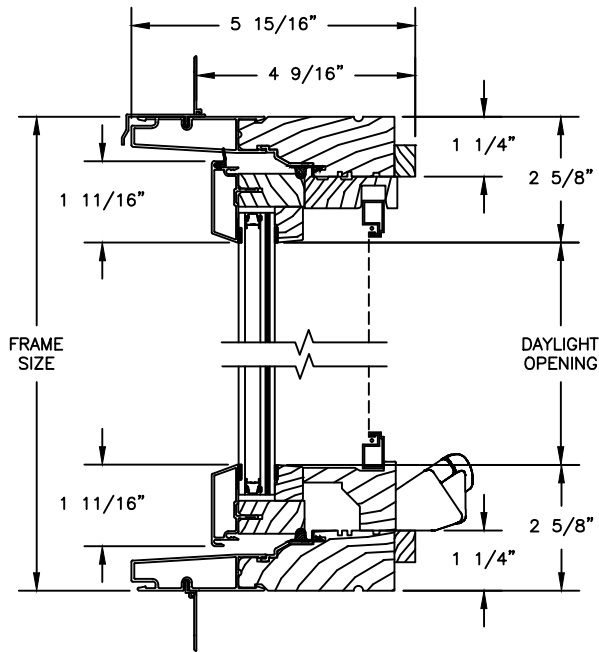
Pinnacle Impact Series

CLAD AWNING

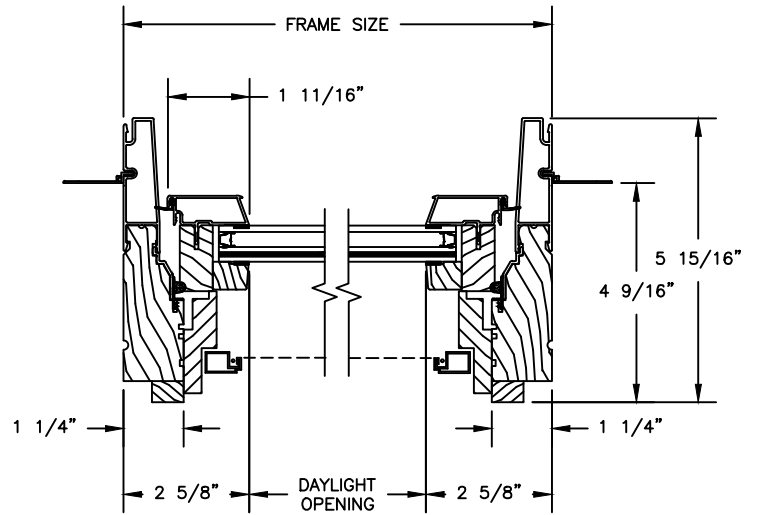
SECTION DETAILS : OPERATING / STATIONARY WITH CONTEMPORARY STOPS

SCALE: 3" = 1'-0"

OPERATING

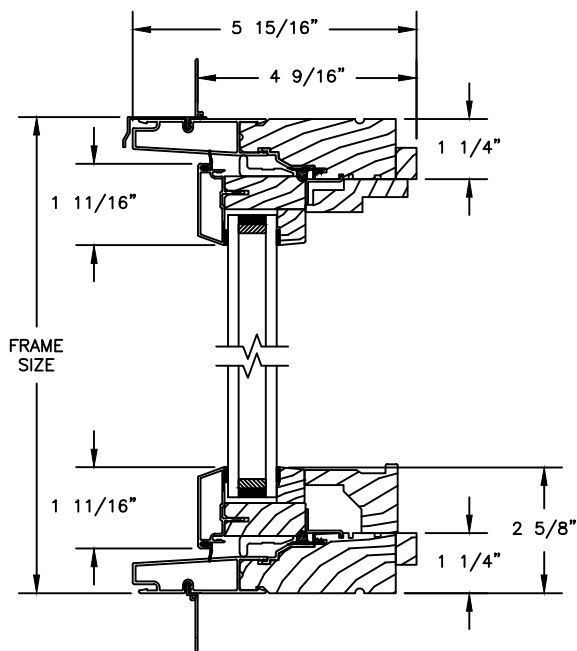


HEAD JAMB & SILL

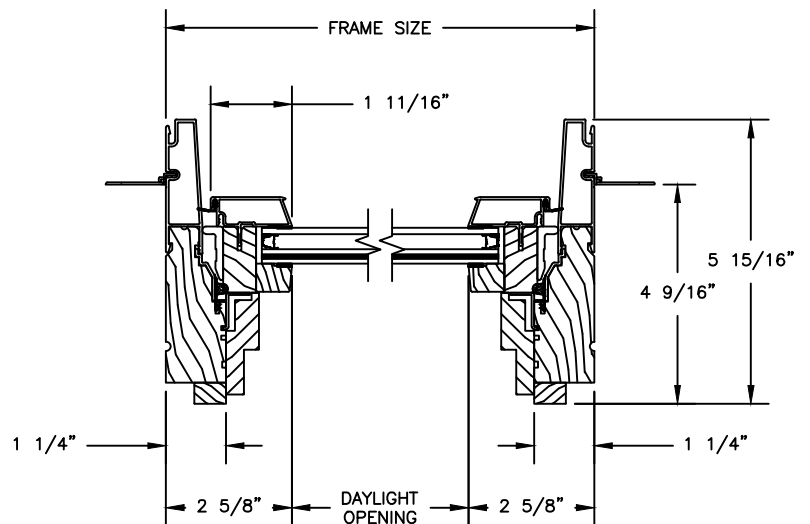


JAMBS

STATIONARY



HEAD JAMB & SILL



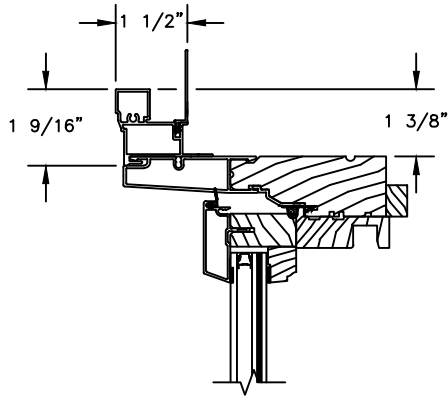
JAMBS

Pinnacle Impact Series

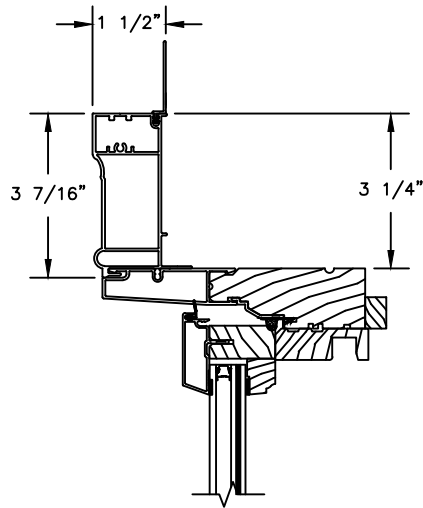
CLAD AWNING

SECTION DETAILS : CASING OPTIONS

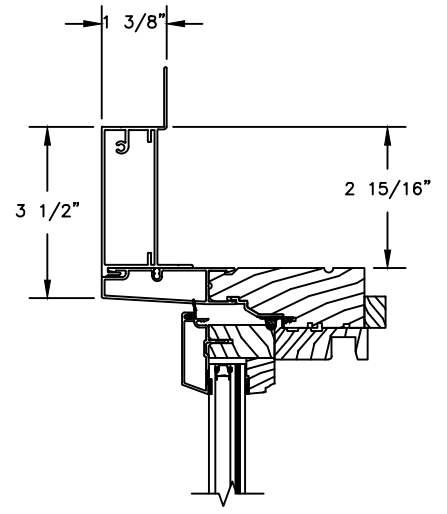
SCALE: 3" = 1'-0"



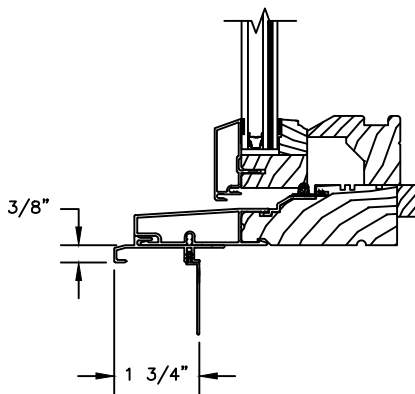
HEAD JAMB WITH
CLAD BRICKMOULD CASING



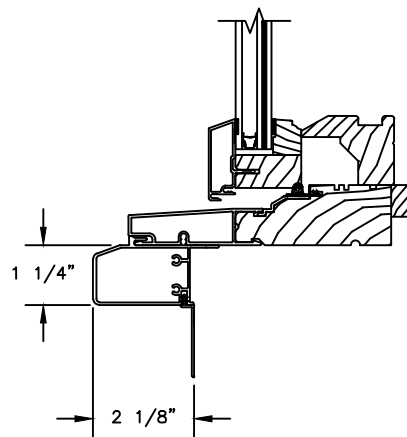
HEAD JAMB WITH
CLAD WILLIAMSBURG CASING



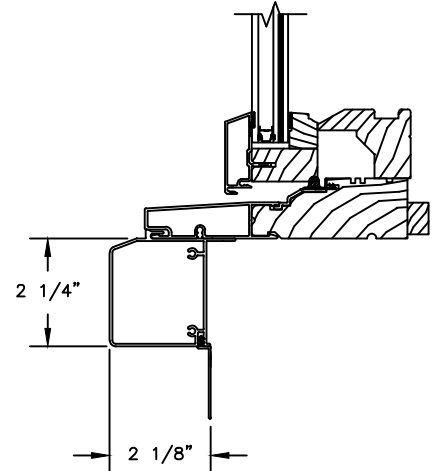
HEAD JAMB WITH
3 1/2" CLAD FLAT CASING



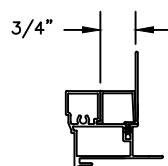
SILL WITH
3/8" CLAD SUBSILL



SILL WITH
1 1/4" CLAD SUBSILL



SILL WITH
2 1/4" CLAD SUBSILL



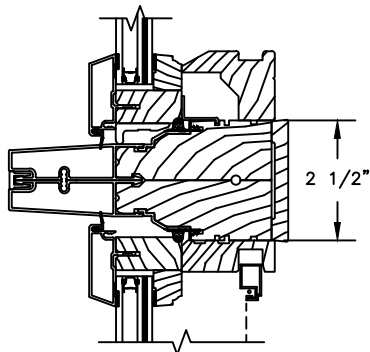
CLAD BRICKMOULD CASING
WITH OPTIONAL J-CHANNEL COVER

Pinnacle Imact Series

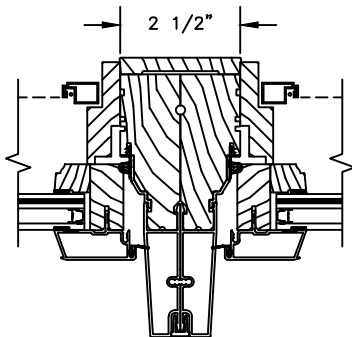
CLAD AWNING

SECTION DETAILS : MULLIONS

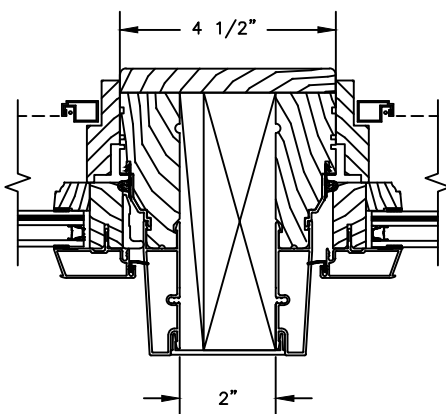
SCALE: 3" = 1'-0"



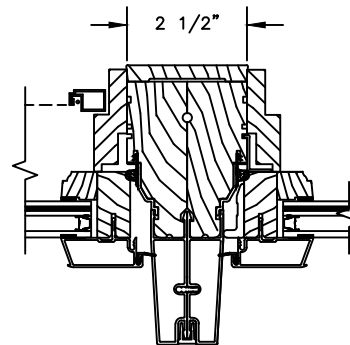
HORIZONTAL MULLION
STATIONARY/OPERATOR



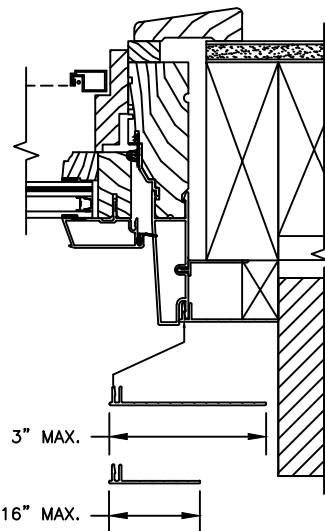
VERTICAL MULLION
OPERATOR/OPERATOR



VERTICAL MULLION WITH
2" SPREAD MULL
ADDITIONAL WIDTHS INCLUDE:
1", 2", 2 1/2", 3", & 4"



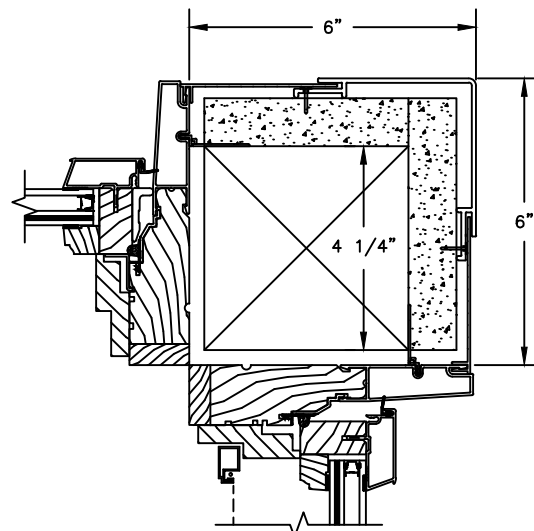
VERTICAL MULLION
OPERATOR/STATIONARY



3" MAX.

1 11/16" MAX.

OPTIONAL FRAME
EXPANDERS



90° MULLION
STATIONARY/OPERATOR

(ONLY USED WITH 4 9/16" JAMB & 3 1/4"
FRAME EXPANDER)

Pinnacle Impact Series

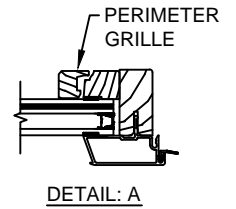
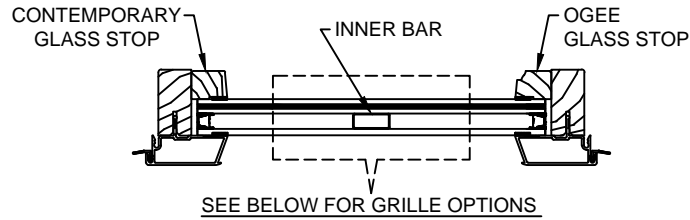
CLAD AWNING

SECTION DETAILS : DIVIDED LITE OPTIONS

SCALE: 3" = 1'-0"

AVAILABLE STYLES

-  - PUTTY
-  - TALL PUTTY
-  - OGEE
-  - CONTEMPORARY

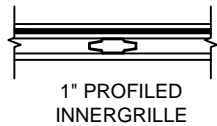
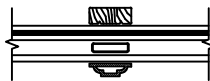
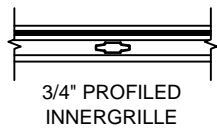
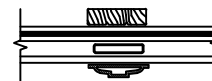


5/8" WDL WITH
INNER BAR

7/8" WDL WITH
INNERBAR

1 1/4" WDL WITH
INNERBAR

2" WDL WITH
INNERBAR



NOTE:

* ALL WDL OPTIONS CAN BE ORDERED WITH OR WITHOUT INNER BAR

* PERIMETER GRILLES ONLY AVAILABLE IN THE 7/8" AND 1 1/4" OGEE STYLE GLASS STOP (SEE DETAIL: A)