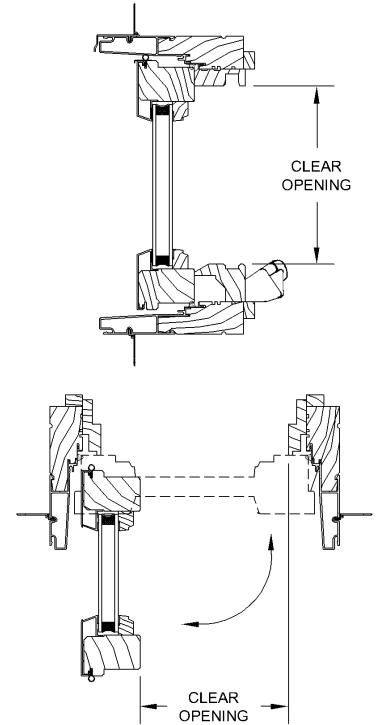


Pinnacle Select Series

CLAD CASEMENT - STANDARD SCREEN

EGRESS, LITE, VENT & SCREEN MEASUREMENTS

Egress, Lite and Vent Measurements												
Casement												
Frame Size	Egress Width		Egress Height	Sq. Ft. Egress		Egress Code Compliance*			Sq. Ft. Vent	Sq. Ft. Daylite	Screen Size	
	Std. HRDW	Egress HRDW		Std. HRDW	Egress HRDW	U.S.		Canada			Width	Height
						5.0 ft ²	5.7 ft ²					
1824	9.25		19.41	1.25	-	-	-	1.90	1.40	14 11/16	19 3/4	
1830	9.25		25.41	1.63	-	-	-	2.49	1.88	14 11/16	25 3/4	
1836	9.25		31.41	2.02	-	-	-	3.08	2.36	14 11/16	31 3/4	
1842	9.25		37.41	2.40	-	-	-	3.67	2.84	14 11/16	37 3/4	
1848	9.25		43.41	2.79	-	-	-	4.26	3.31	14 11/16	43 3/4	
1854	9.25		49.41	3.17	-	-	-	4.85	3.79	14 11/16	49 3/4	
1860	9.25		55.41	3.56	-	-	-	5.43	4.27	14 11/16	55 3/4	
1866	9.25		61.41	3.94	-	-	-	6.02	4.75	14 11/16	61 3/4	
1872	9.25		67.41	4.33	-	-	-	6.61	5.23	14 11/16	67 3/4	
1878	9.25		73.41	4.72	-	-	-	7.20	5.71	14 11/16	73 3/4	
1884	9.25		79.41	5.10	-	-	-	7.79	6.19	14 11/16	79 3/4	
1890	9.25		85.41	5.49	-	-	-	8.38	6.67	14 11/16	85 3/4	
1896	9.25		91.41	5.87	-	-	-	8.97	7.15	14 11/16	91 3/4	
2024	11.25		19.41	1.52	-	-	-	2.17	1.64	16 11/16	19 3/4	
2030	11.25		25.41	1.99	-	-	-	2.84	2.20	16 11/16	25 3/4	
2036	11.25		31.41	2.45	-	-	-	3.52	2.77	16 11/16	31 3/4	
2042	11.25		37.41	2.92	-	-	-	4.19	3.33	16 11/16	37 3/4	
2048	11.25		43.41	3.39	-	-	-	4.86	3.89	16 11/16	43 3/4	
2054	11.25		49.41	3.86	-	-	-	5.53	4.45	16 11/16	49 3/4	
2060	11.25		55.41	4.33	-	-	-	6.20	5.02	16 11/16	55 3/4	
2066	11.25		61.41	4.80	-	-	-	6.88	5.58	16 11/16	61 3/4	
2072	11.25		67.41	5.27	-	-	-	7.55	6.14	16 11/16	67 3/4	
2078	11.25		73.41	5.74	-	-	-	8.22	6.70	16 11/16	73 3/4	
2084	11.25		79.41	6.20	-	-	-	8.89	7.27	16 11/16	79 3/4	
2090	11.25		85.41	6.67	-	-	-	9.56	7.83	16 11/16	85 3/4	
2096	11.25		91.41	7.14	-	-	-	10.24	8.39	16 11/16	91 3/4	
2424	15.25	17.80	19.41	2.06	2.40	-	-	2.71	2.13	20 11/16	19 3/4	
2430	15.25	17.80	25.41	2.69	3.14	-	-	3.55	2.86	20 11/16	25 3/4	
2436	15.25	17.80	31.41	3.33	3.88	-	-	4.39	3.59	20 11/16	31 3/4	
2442	15.25	17.80	37.41	3.96	4.62	-	-	5.23	4.31	20 11/16	37 3/4	
2448	15.25	17.80	43.41	4.60	5.37	-	-	6.07	5.04	20 11/16	43 3/4	
2454	15.25	17.80	49.41	5.23	6.11	-	-	6.90	5.77	20 11/16	49 3/4	
2460	15.25	17.80	55.41	5.87	6.85	-	-	7.74	6.50	20 11/16	55 3/4	
2466	15.25	17.80	61.41	6.50	7.59	-	-	8.58	7.23	20 11/16	61 3/4	
2472	15.25	17.80	67.41	7.14	8.33	-	-	9.42	7.96	20 11/16	67 3/4	
2478	15.25	17.80	73.41	7.77	9.07	-	-	10.26	8.69	20 11/16	73 3/4	
2484	15.25	17.80	79.41	8.41	9.82	-	-	11.10	9.42	20 11/16	79 3/4	
2490	15.25	17.80	85.41	9.05	10.56	-	-	11.94	10.15	20 11/16	85 3/4	
2496	15.25	17.80	91.41	9.68	11.30	-	-	12.77	10.88	20 11/16	91 3/4	
2824	19.25	21.80	19.41	2.59	2.94	-	-	3.25	2.61	24 11/16	19 3/4	
2830	19.25	21.80	25.41	3.40	3.85	-	-	4.26	3.51	24 11/16	25 3/4	
2836	19.25	21.80	31.41	4.20	4.76	-	-	5.26	4.40	24 11/16	31 3/4	
2842	19.25	21.80	37.41	5.00	5.66	E	-	6.27	5.30	24 11/16	37 3/4	
2848	19.25	21.80	43.41	5.80	6.57	E	E	7.27	6.20	24 11/16	43 3/4	
2854	19.25	21.80	49.41	6.61	7.48	E	E	8.28	7.09	24 11/16	49 3/4	
2860	19.25	21.80	55.41	7.41	8.39	E	E	9.28	7.99	24 11/16	55 3/4	
2866	19.25	21.80	61.41	8.21	9.30	E	E	10.29	8.88	24 11/16	61 3/4	
2872	19.25	21.80	67.41	9.01	10.21	E	E	11.29	9.78	24 11/16	67 3/4	
2878	19.25	21.80	73.41	9.81	11.11	E	E	12.30	10.68	24 11/16	73 3/4	
2884	19.25	21.80	79.41	10.62	12.02	E	E	13.30	11.57	24 11/16	79 3/4	
2890	19.25		85.41	11.42	-	-	-	14.31	12.47	24 11/16	85 3/4	
2896	19.25		91.41	12.22	-	-	-	15.31	13.36	24 11/16	91 3/4	
3024	21.25		19.41	2.86	-	-	-	3.52	2.86	26 11/16	19 3/4	
3030	21.25		25.41	3.75	-	-	-	4.61	3.84	26 11/16	25 3/4	
3036	21.25		31.41	4.64	-	-	-	5.70	4.81	26 11/16	31 3/4	
3042	21.25		37.41	5.52	S	-	S	6.79	5.79	26 11/16	37 3/4	
3048	21.25		43.41	6.41	S	S	S	7.87	6.77	26 11/16	43 3/4	
3054	21.25		49.41	7.29	S	S	S	8.96	7.75	26 11/16	49 3/4	
3060	21.25		55.41	8.18	S	S	S	10.05	8.73	26 11/16	55 3/4	
3066	21.25		61.41	9.06	S	S	S	11.14	9.71	26 11/16	61 3/4	
3072	21.25		67.41	9.95	S	S	S	12.23	10.69	26 11/16	67 3/4	
3084	21.25		79.41	11.72	S	S	S	14.41	12.65	26 11/16	79 3/4	
3090	21.25		85.41	12.60	S	S	S	15.49	13.63	26 11/16	85 3/4	
3096	21.25		91.41	13.49	S	S	S	16.58	14.61	26 11/16	91 3/4	
3624	27.25	29.80	19.41	3.67	4.02	-	-	4.33	3.59	32 11/16	19 3/4	
3630	27.25	29.80	25.41	4.81	5.26	E	-	5.67	4.81	32 11/16	25 3/4	
3636	27.25	29.80	31.41	5.94	6.50	S	S	7.01	6.04	32 11/16	31 3/4	
3642	27.25	29.80	37.41	7.08	7.74	S	S	8.34	7.27	32 11/16	37 3/4	
3648	27.25	29.80	43.41	8.21	8.98	S	S	9.68	8.50	32 11/16	43 3/4	
3654	27.25	29.80	49.41	9.35	10.23	S	S	11.02	9.73	32 11/16	49 3/4	
3660	27.25	29.80	55.41	10.49	11.47	S	S	12.36	10.96	32 11/16	55 3/4	
3666	27.25	29.80	61.41	11.62	12.71	S	S	13.70	12.19	32 11/16	61 3/4	
3672	27.25	29.80	67.41	12.76	13.95	S	S	15.04	13.42	32 11/16	67 3/4	



Egress Conversions

Standard Hardware	Width	Frame - 8.75"
	Height	Frame - 4.59"
Egress Hardware	Width	Frame - 6.20"
	Height	Frame - 4.59"

* Egress Code Compliance Terminology

- E** Meets Code with Egress Hardware Only
- S** Meets Code with Standard Hardware
- Does Not Meet Code

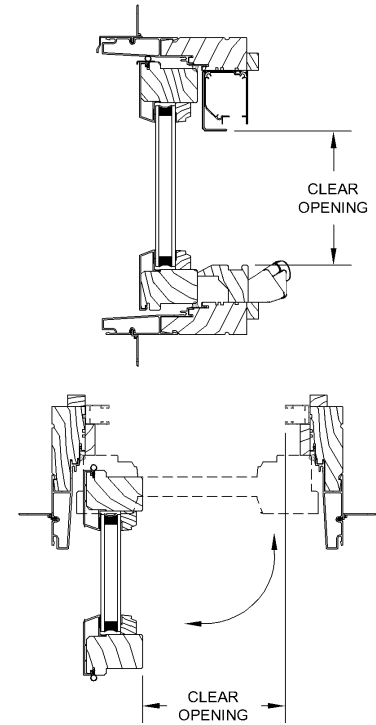
Code Requirements	Min Width	Min Height	Min Area
U.S.	20"	24"	5.7
U.S. Grade Floor	20"	24"	5.0
Canada	15"	15"	3.77

Pinnacle Select Series

CLAD CASEMENT - RETRACTABLE SCREEN

EGRESS, LITE, VENT & SCREEN MEASUREMENTS

Egress, Lite and Vent Measurements												
Casement												
Frame Size	Egress Width		Egress Height	Sq. Ft. Egress		Egress Code Compliance*			Sq. Ft. Vent	Sq. Ft. Daylite	Screen Size	
	Std. HRDW	Egress HRDW		Std. HRDW	Egress HRDW	U.S.		Canada			Width	Height
						5.0 ft ²	5.7 ft ²					
1824	8.70		17.91	1.08	-	-	-	1.59	1.37	14 11/16	17 15/16	
1830	8.70		23.91	1.44	-	-	-	2.13	1.85	14 11/16	23 15/16	
1836	8.70		29.91	1.81	-	-	-	2.66	2.33	14 11/16	29 15/16	
1842	8.70		35.91	2.17	-	-	-	3.20	2.81	14 11/16	35 15/16	
1848	8.70		41.91	2.53	-	-	-	3.74	3.29	14 11/16	41 15/16	
1854	8.70		47.91	2.89	-	-	-	4.28	3.77	14 11/16	47 15/16	
1860	8.70		53.91	3.26	-	-	-	4.81	4.25	14 11/16	53 15/16	
1866	8.70		59.91	3.62	-	-	-	5.35	4.73	14 11/16	59 15/16	
1872	8.70		65.91	3.98	-	-	-	5.89	5.20	14 11/16	65 15/16	
1878	8.70		71.91	4.34	-	-	-	6.43	5.68	14 11/16	71 15/16	
1884	8.70		77.91	4.70	-	-	-	6.96	6.16	14 11/16	77 15/16	
1890	8.70		83.91	5.07	-	-	-	7.50	6.64	14 11/16	83 15/16	
1896	8.70		89.91	5.43	-	-	-	8.04	7.12	14 11/16	89 15/16	
2024	10.70		17.91	1.33	-	-	-	1.83	1.61	16 11/16	17 15/16	
2030	10.70		23.91	1.78	-	-	-	2.45	2.17	16 11/16	23 15/16	
2036	10.70		29.91	2.22	-	-	-	3.08	2.73	16 11/16	29 15/16	
2042	10.70		35.91	2.67	-	-	-	3.70	3.30	16 11/16	35 15/16	
2048	10.70		41.91	3.11	-	-	-	4.32	3.86	16 11/16	41 15/16	
2054	10.70		47.91	3.56	-	-	-	4.94	4.42	16 11/16	47 15/16	
2060	10.70		53.91	4.00	-	-	-	5.56	4.98	16 11/16	53 15/16	
2066	10.70		59.91	4.45	-	-	-	6.18	5.55	16 11/16	59 15/16	
2072	10.70		65.91	4.90	-	-	-	6.80	6.11	16 11/16	65 15/16	
2078	10.70		71.91	5.34	-	-	-	7.42	6.67	16 11/16	71 15/16	
2084	10.70		77.91	5.79	-	-	-	8.04	7.23	16 11/16	77 15/16	
2090	10.70		83.91	6.23	-	-	-	8.66	7.80	16 11/16	83 15/16	
2096	10.70		89.91	6.68	-	-	-	9.28	8.36	16 11/16	89 15/16	
2424	14.70	17.25	17.91	1.83	2.15	-	-	2.33	2.09	20 11/16	17 15/16	
2430	14.70	17.25	23.91	2.44	2.86	-	-	3.11	2.82	20 11/16	23 15/16	
2436	14.70	17.25	29.91	3.05	3.58	-	-	3.90	3.54	20 11/16	29 15/16	
2442	14.70	17.25	35.91	3.66	4.30	-	-	4.69	4.27	20 11/16	35 15/16	
2448	14.70	17.25	41.91	4.28	5.02	-	-	5.48	5.00	20 11/16	41 15/16	
2454	14.70	17.25	47.91	4.89	5.74	-	-	6.26	5.73	20 11/16	47 15/16	
2460	14.70	17.25	53.91	5.50	6.46	-	-	7.05	6.46	20 11/16	53 15/16	
2466	14.70	17.25	59.91	6.11	7.18	-	-	7.84	7.19	20 11/16	59 15/16	
2472	14.70	17.25	65.91	6.73	7.89	-	-	8.63	7.92	20 11/16	65 15/16	
2478	14.70	17.25	71.91	7.34	8.61	-	-	9.41	8.65	20 11/16	71 15/16	
2484	14.70	17.25	77.91	7.95	9.33	-	-	10.20	9.38	20 11/16	77 15/16	
2490	14.70	17.25	83.91	8.56	10.05	-	-	10.99	10.11	20 11/16	83 15/16	
2496	14.70	17.25	89.91	9.18	10.77	-	-	11.78	10.84	20 11/16	89 15/16	
2824	18.70	21.25	17.91	2.33	2.64	-	-	2.82	2.56	24 11/16	17 15/16	
2830	18.70	21.25	23.91	3.10	3.53	-	-	3.77	3.46	24 11/16	23 15/16	
2836	18.70	21.25	29.91	3.88	4.41	-	-	4.73	4.35	24 11/16	29 15/16	
2842	18.70	21.25	35.91	4.66	5.30	E	-	5.68	5.25	24 11/16	35 15/16	
2848	18.70	21.25	41.91	5.44	6.18	E	E	6.64	6.15	24 11/16	41 15/16	
2854	18.70	21.25	47.91	6.22	7.07	E	E	7.59	7.04	24 11/16	47 15/16	
2860	18.70	21.25	53.91	7.00	7.95	E	E	8.54	7.94	24 11/16	53 15/16	
2866	18.70	21.25	59.91	7.78	8.84	E	E	9.50	8.83	24 11/16	59 15/16	
2872	18.70	21.25	65.91	8.56	9.72	E	E	10.45	9.73	24 11/16	65 15/16	
2878	18.70	21.25	71.91	9.34	10.61	E	E	11.41	10.63	24 11/16	71 15/16	
2884	18.70		77.91	10.11				12.36	11.52	24 11/16	77 15/16	
2890	18.70		83.91	10.89				13.31	12.42	24 11/16	83 15/16	
2896	18.70		89.91	11.67				14.27	13.31	24 11/16	89 15/16	
3024	20.70		17.91	2.57	-	-	-	3.07	2.80	26 11/16	17 15/16	
3030	20.70		23.91	3.44	-	-	-	4.10	3.78	26 11/16	23 15/16	
3036	20.70		29.91	4.30	-	-	-	5.14	4.76	26 11/16	29 15/16	
3042	20.70		35.91	5.16	S	-	S	6.18	5.74	26 11/16	35 15/16	
3048	20.70		41.91	6.02	S	S	S	7.22	6.72	26 11/16	41 15/16	
3054	20.70		47.91	6.89	S	S	S	8.25	7.70	26 11/16	47 15/16	
3060	20.70		53.91	7.75	S	S	S	9.29	8.68	26 11/16	53 15/16	
3066	20.70		59.91	8.61	S	S	S	10.33	9.66	26 11/16	59 15/16	
3072	20.70		65.91	9.47	S	S	S	11.36	10.64	26 11/16	65 15/16	
3084	20.70		77.91	11.20				13.44	12.59	26 11/16	77 15/16	
3090	20.70		83.91	12.06				14.48	13.57	26 11/16	83 15/16	
3096	20.70		89.91	12.92				15.51	14.55	26 11/16	89 15/16	
3624	26.70	29.25	17.91	3.32	3.64	-	-	3.80	3.52	32 11/16	17 15/16	
3630	26.70	29.25	23.91	4.43	4.86	-	-	5.09	4.75	32 11/16	23 15/16	
3636	26.70	29.25	29.91	5.55	6.08	S	E	6.38	5.98	32 11/16	29 15/16	
3642	26.70	29.25	35.91	6.66	7.29	S	S	7.67	7.20	32 11/16	35 15/16	
3648	26.70	29.25	41.91	7.77	8.51	S	S	8.95	8.43	32 11/16	41 15/16	
3654	26.70	29.25	47.91	8.88	9.73	S	S	10.24	9.66	32 11/16	47 15/16	
3660	26.70	29.25	53.91	9.99	10.95	S	S	11.53	10.89	32 11/16	53 15/16	
3666	26.70	29.25	59.91	11.11	12.17	S	S	12.82	12.12	32 11/16	59 15/16	
3672	26.70	29.25	65.91	12.22	13.39	S	S	14.10	13.35	32 11/16	65 15/16	



Egress Conversions

Standard Hardware	Width	Frame - 9.305"
	Height	Frame - 6.086"
Egress Hardware	Width	Frame - 6.75"
	Height	Frame - 6.086"

* Egress Code Compliance Terminology

- E** Meets Code with Egress Hardware Only
- S** Meets Code with Standard Hardware
- Does Not Meet Code

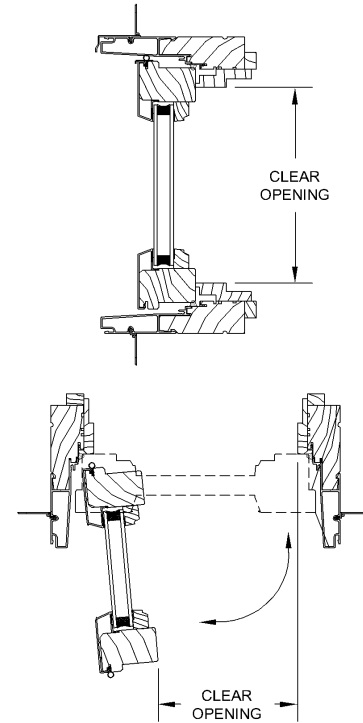
Code Requirements	Min Width	Min Height	Min Area
U.S.	20"	24"	5.7
U.S. Grade Floor	20"	24"	5.0
Canada	15"	15"	3.77

Pinnacle Select Series

CLAD CASEMENT PUSH-OUT (NO SCREEN)

EGRESS, LITE, VENT & SCREEN MEASUREMENTS

Egress, Lite and Vent Measurements										
Casement										
Frame Size	Egress Width		Egress Height	Sq. Ft. Egress		Egress Code Compliance*			Sq. Ft. Vent	Sq. Ft. Daylite
	Std. HRDW	Egress HRDW		Std. HRDW	Egress HRDW	U.S.		Canada		
						5.0 ft ²	5.7 ft ²			
1824	7.77		20.13	1.09		-	-	-	2.06	1.66
1830	7.77		26.13	1.41		-	-	-	2.68	2.19
1836	7.77		32.13	1.73		-	-	-	3.29	2.72
1842	7.77		38.13	2.06		-	-	-	3.91	3.25
1848	7.77		44.13	2.38		-	-	-	4.52	3.79
1854	7.77		50.13	2.70		-	-	-	5.13	4.32
1860	7.77		56.13	3.03		-	-	-	5.75	4.85
1866	7.77		62.13	3.35		-	-	-	6.36	5.38
1872	7.77		68.13	3.67		-	-	-	6.98	5.91
1878	7.77		74.13	4.00		-	-	-	7.59	6.44
2024	9.59		20.13	1.34		-	-	-	2.34	1.92
2030	9.59		26.13	1.74		-	-	-	3.04	2.54
2036	9.59		32.13	2.14		-	-	-	3.74	3.15
2042	9.59		38.13	2.54		-	-	-	4.43	3.76
2048	9.59		44.13	2.94		-	-	-	5.13	4.38
2054	9.59		50.13	3.34		-	-	-	5.83	4.99
2060	9.59		56.13	3.74		-	-	-	6.53	5.61
2066	9.59		62.13	4.14		-	-	-	7.23	6.22
2072	9.59		68.13	4.54		-	-	-	7.92	6.84
2078	9.59		74.13	4.94		-	-	-	8.62	7.45
2424	13.23	15.59	20.13	1.85	2.18	-	-	-	2.90	2.44
2430	13.23	15.59	26.13	2.40	2.83	-	-	-	3.76	3.22
2436	13.23	15.59	32.13	2.95	3.48	-	-	-	4.63	4.00
2442	13.23	15.59	38.13	3.50	4.13	-	-	E	5.49	4.79
2448	13.23	15.59	44.13	4.06	4.78	-	-	E	6.36	5.57
2454	13.23	15.59	50.13	4.61	5.43	-	-	E	7.22	6.35
2460	13.23	15.59	56.13	5.16	6.07	-	-	E	8.09	7.13
2466	13.23	15.59	62.13	5.71	6.72	-	-	E	8.95	7.91
2472	13.23	15.59	68.13	6.26	7.37	-	-	E	9.82	8.69
2478	13.23	15.59	74.13	6.81	8.02	-	-	E	10.68	9.47
2824	16.88	19.20	20.13	2.36	2.68	-	-	-	3.46	2.96
2830	16.88	19.20	26.13	3.06	3.48	-	-	-	4.49	3.91
2836	16.88	19.20	32.13	3.77	4.28	-	-	E	5.52	4.86
2842	16.88	19.20	38.13	4.47	5.08	-	-	S	6.55	5.81
2848	16.88	19.20	44.13	5.17	5.88	-	-	S	7.58	6.75
2854	16.88	19.20	50.13	5.88	6.68	-	-	S	8.62	7.70
2860	16.88	19.20	56.13	6.58	7.48	-	-	S	9.65	8.65
2866	16.88	19.20	62.13	7.28	8.28	-	-	S	10.68	9.60
2872	16.88	19.20	68.13	7.99	9.08	-	-	S	11.71	10.55
2878	16.88	19.20	74.13	8.69	9.88	-	-	S	12.74	11.49
3024	18.70	21.01	20.13	2.61	2.94	-	-	-	3.74	3.22
3030	18.70	21.01	26.13	3.39	3.81	-	-	E	4.85	4.25
3036	18.70	21.01	32.13	4.17	4.69	-	-	S	5.97	5.29
3042	18.70	21.01	38.13	4.95	5.56	E	-	S	7.08	6.32
3048	18.70	21.01	44.13	5.73	6.44	E	E	S	8.20	7.35
3054	18.70	21.01	50.13	6.51	7.31	E	E	S	9.31	8.38
3060	18.70	21.01	56.13	7.29	8.19	E	E	S	10.43	9.41
3066	18.70	21.01	62.13	8.07	9.06	E	E	S	11.54	10.44
3072	18.70	21.01	68.13	8.85	9.94	E	E	S	12.66	11.47
3624	23.39	26.44	20.13	3.27	3.69	-	-	-	4.58	4.00
3630	23.39	26.44	26.13	4.24	4.80	-	-	S	5.94	5.29
3636	23.39	26.44	32.13	5.22	5.90	S	E	S	7.31	6.57
3642	23.39	26.44	38.13	6.19	7.00	S	S	S	8.67	7.85
3648	23.39	26.44	44.13	7.17	8.10	S	S	S	10.04	9.13
3654	23.39	26.44	50.13	8.14	9.20	S	S	S	11.40	10.41
3660	23.39	26.44	56.13	9.12	10.30	S	S	S	12.76	11.69
3666	23.39	26.44	62.13	10.09	11.40	S	S	S	14.13	12.97
3672	23.39	26.44	68.13	11.07	12.51	S	S	S	15.49	14.25



Egress Conversions

Standard Hardware	Width	Varies
	Height	Frame - 3.875"
Egress Hardware	Width	Varies
	Height	Frame - 3.875"

* Egress Code Compliance Terminology

- E** Meets Code with Egress Hardware Only
- S** Meets Code with Standard Hardware
- Does Not Meet Code

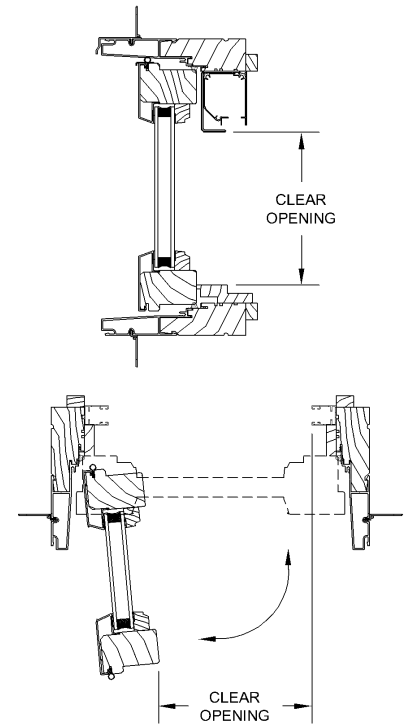
Code Requirements	Min Width	Min Height	Min Area
U.S.	20"	24"	5.7
U.S. Grade Floor	20"	24"	5.0
Canada	15"	15"	3.77

Pinnacle Select Series

CLAD CASEMENT PUSH-OUT (RETRACTABLE SCREEN)

EGRESS, LITE, VENT & SCREEN MEASUREMENTS

Egress, Lite and Vent Measurements												
Casement												
Frame Size	Egress Width		Egress Height	Sq. Ft. Egress		Egress Code Compliance*			Sq. Ft. Vent	Sq. Ft. Daylite	Screen Size	
	Std. HRDW	Egress HRDW		Std. HRDW	Egress HRDW	U.S.		Canada			Width	Height
						5.0 ft ²	5.7 ft ²					
1824	7.27		17.32	0.87		-	-	-	1.64	1.66	15 7/16	19
1830	7.27		23.32	1.18		-	-	-	2.21	2.19	15 7/16	25
1836	7.27		29.32	1.48		-	-	-	2.78	2.72	15 7/16	31
1842	7.27		35.32	1.78		-	-	-	3.35	3.25	15 7/16	37
1848	7.27		41.32	2.09		-	-	-	3.92	3.79	15 7/16	43
1854	7.27		47.32	2.39		-	-	-	4.49	4.32	15 7/16	49
1860	7.27		53.32	2.69		-	-	-	5.05	4.85	15 7/16	55
1866	7.27		59.32	3.00		-	-	-	5.62	5.38	15 7/16	61
1872	7.27		65.32	3.30		-	-	-	6.19	5.91	15 7/16	67
1878	7.27		71.32	3.60		-	-	-	6.76	6.44	15 7/16	73
2024	9.10		17.32	1.09		-	-	-	1.88	1.92	17 7/16	19
2030	9.10		23.32	1.47		-	-	-	2.53	2.54	17 7/16	25
2036	9.10		29.32	1.85		-	-	-	3.19	3.15	17 7/16	31
2042	9.10		35.32	2.23		-	-	-	3.84	3.76	17 7/16	37
2048	9.10		41.32	2.61		-	-	-	4.49	4.38	17 7/16	43
2054	9.10		47.32	2.99		-	-	-	5.14	4.99	17 7/16	49
2060	9.10		53.32	3.37		-	-	-	5.79	5.61	17 7/16	55
2066	9.10		59.32	3.75		-	-	-	6.45	6.22	17 7/16	61
2072	9.10		65.32	4.13		-	-	-	7.10	6.84	17 7/16	67
2078	9.10		71.32	4.51		-	-	-	7.75	7.45	17 7/16	73
2424	12.74	15.09	17.32	1.53	1.82	-	-	-	2.36	2.44	21 7/16	19
2430	12.74	15.09	23.32	2.06	2.44	-	-	-	3.18	3.22	21 7/16	25
2436	12.74	15.09	29.32	2.59	3.07	-	-	-	4.00	4.00	21 7/16	31
2442	12.74	15.09	35.32	3.13	3.70	-	-	-	4.82	4.79	21 7/16	37
2448	12.74	15.09	41.32	3.66	4.33	-	-	E	5.64	5.57	21 7/16	43
2454	12.74	15.09	47.32	4.19	4.96	-	-	E	6.46	6.35	21 7/16	49
2460	12.74	15.09	53.32	4.72	5.59	-	-	E	7.28	7.13	21 7/16	55
2466	12.74	15.09	59.32	5.25	6.22	-	-	E	8.09	7.91	21 7/16	61
2472	12.74	15.09	65.32	5.78	6.85	-	-	E	8.91	8.69	21 7/16	67
2478	12.74	15.09	71.32	6.31	7.48	-	-	E	9.73	9.47	21 7/16	73
2824	16.39	18.71	17.32	1.97	2.25	-	-	-	2.84	2.96	25 7/16	19
2830	16.39	18.71	23.32	2.65	3.03	-	-	-	3.83	3.91	25 7/16	25
2836	16.39	18.71	29.32	3.34	3.81	-	-	E	4.82	4.86	25 7/16	31
2842	16.39	18.71	35.32	4.02	4.59	-	-	S	5.80	5.81	25 7/16	37
2848	16.39	18.71	41.32	4.70	5.37	-	-	S	6.79	6.75	25 7/16	43
2854	16.39	18.71	47.32	5.39	6.15	-	-	S	7.77	7.70	25 7/16	49
2860	16.39	18.71	53.32	6.07	6.93	-	-	S	8.76	8.65	25 7/16	55
2866	16.39	18.71	59.32	6.75	7.71	-	-	S	9.74	9.60	25 7/16	61
2872	16.39	18.71	65.32	7.43	8.49	-	-	S	10.73	10.55	25 7/16	67
2878	16.39	18.71	71.32	8.12	9.27	-	-	S	11.71	11.49	25 7/16	73
3024	18.21	20.52	17.32	2.19	2.47	-	-	-	3.09	3.22	27 7/16	19
3030	18.21	20.52	23.32	2.95	3.32	-	-	-	4.15	4.25	27 7/16	25
3036	18.21	20.52	29.32	3.71	4.18	-	-	E	5.22	5.29	27 7/16	31
3042	18.21	20.52	35.32	4.47	5.03	E	-	S	6.29	6.32	27 7/16	37
3048	18.21	20.52	41.32	5.23	5.89	E	E	S	7.36	7.35	27 7/16	43
3054	18.21	20.52	47.32	5.98	6.74	E	E	S	8.43	8.38	27 7/16	49
3060	18.21	20.52	53.32	6.74	7.60	E	E	S	9.50	9.41	27 7/16	55
3066	18.21	20.52	59.32	7.50	8.45	E	E	S	10.57	10.44	27 7/16	61
3072	18.21	20.52	65.32	8.26	9.31	E	E	S	11.64	11.47	27 7/16	67
3624	22.90	25.94	17.32	2.75	3.12	-	-	-	3.81	4.00	33 7/16	19
3630	22.90	25.94	23.32	3.71	4.20	-	-	E	5.13	5.29	33 7/16	25
3636	22.90	25.94	29.32	4.66	5.28	E	-	S	6.44	6.57	33 7/16	31
3642	22.90	25.94	35.32	5.62	6.36	S	E	S	7.76	7.85	33 7/16	37
3648	22.90	25.94	41.32	6.57	7.44	S	S	S	9.08	9.13	33 7/16	43
3654	22.90	25.94	47.32	7.53	8.53	S	S	S	10.40	10.41	33 7/16	49
3660	22.90	25.94	53.32	8.48	9.61	S	S	S	11.72	11.69	33 7/16	55
3666	22.90	25.94	59.32	9.43	10.69	S	S	S	13.04	12.97	33 7/16	61
3672	22.90	25.94	65.32	10.39	11.77	S	S	S	14.36	14.25	33 7/16	67



Egress Conversions

Standard Hardware	Width	Varies
	Height	Frame - 6.680"
Egress Hardware	Width	Varies
	Height	Frame - 6.680"

* Egress Code Compliance Terminology

- E** Meets Code with Egress Hardware Only
- S** Meets Code with Standard Hardware
- Does Not Meet Code

Code Requirements	Min Width	Min Height	Min Area
U.S.	20"	24"	5.7
U.S. Grade Floor	20"	24"	5.0
Canada	15"	15"	3.77