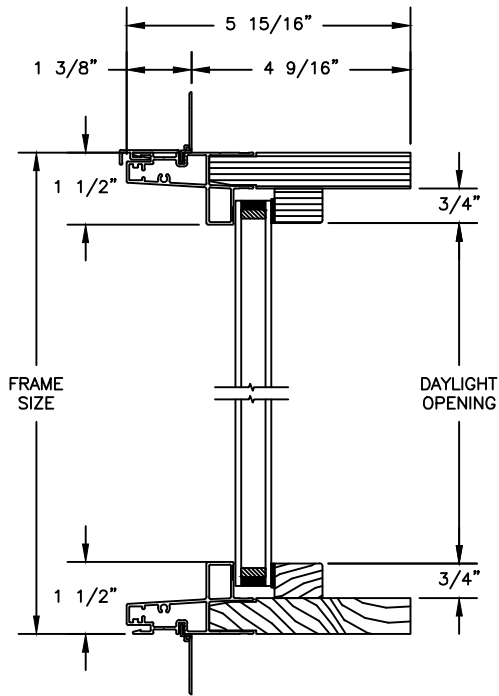


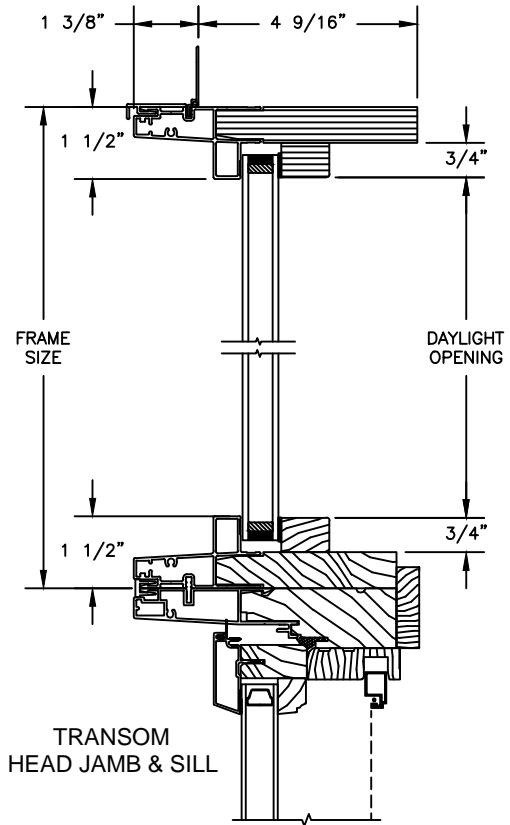
Pinnacle Series

CLAD RADIUS CASEMENT

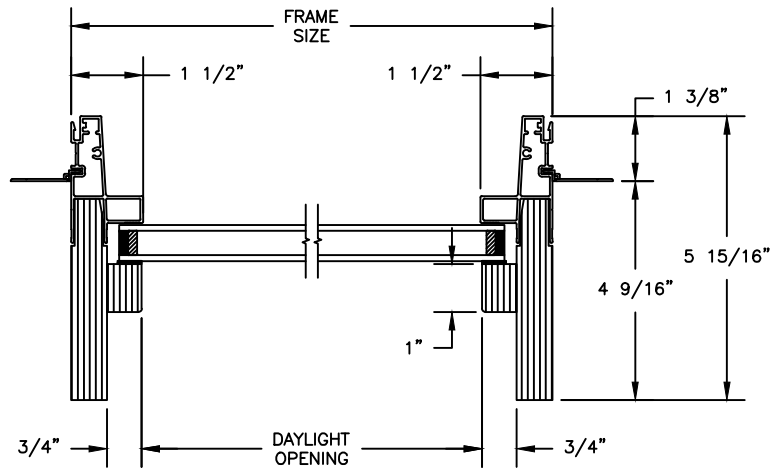
SECTION DETAILS: HALF ROUND
 SCALE: 3" = 1'-0"



HEAD JAMB & SILL



TRANSOM
 HEAD JAMB & SILL



HALF ROUNDS, FULL ROUNDS & OVALS
 JAMB

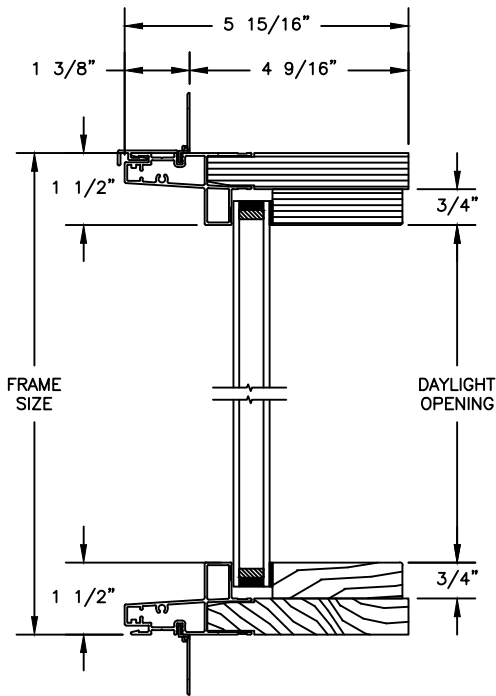
AVAILABLE INTERIOR TRIM PROFILES



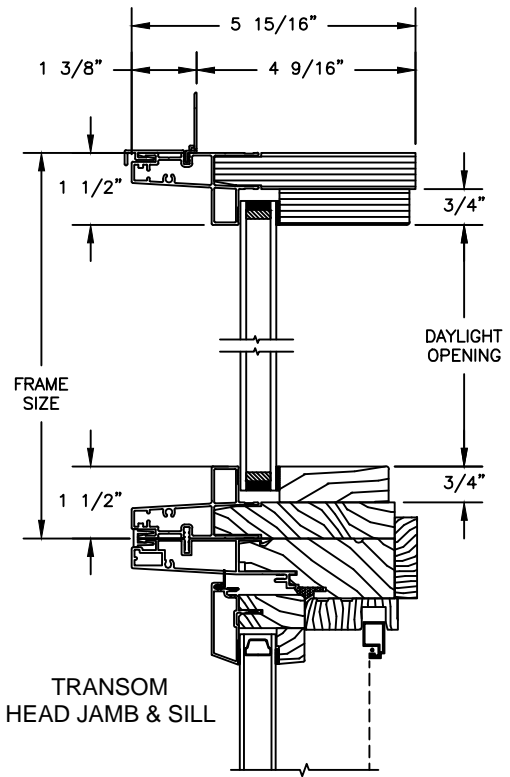
Pinnacle Series

CLAD RADIUS CASEMENT

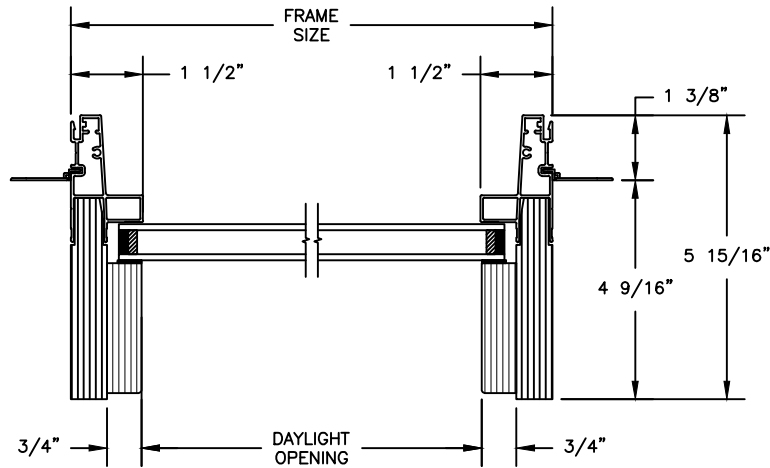
SECTION DETAILS: HALF ROUND WITH CONTEMPORARY STOPS
 SCALE: 3" = 1'-0"



HEAD JAMB & SILL



TRANSOM
 HEAD JAMB & SILL



HALF ROUNDS, FULL ROUNDS & OVALS
 JAMB

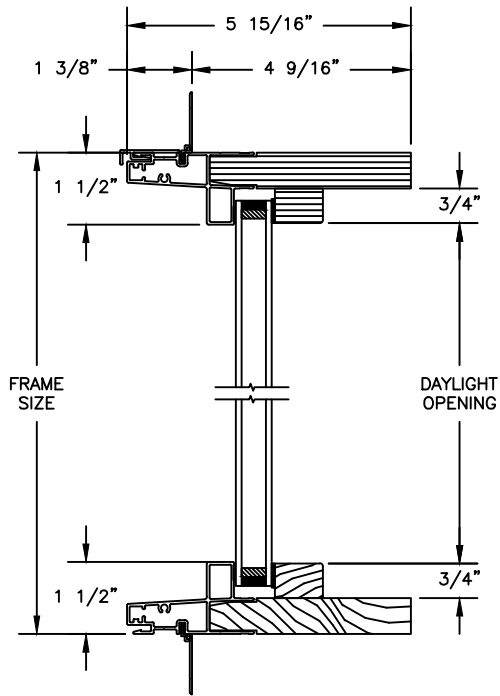
AVAILABLE INTERIOR TRIM PROFILES



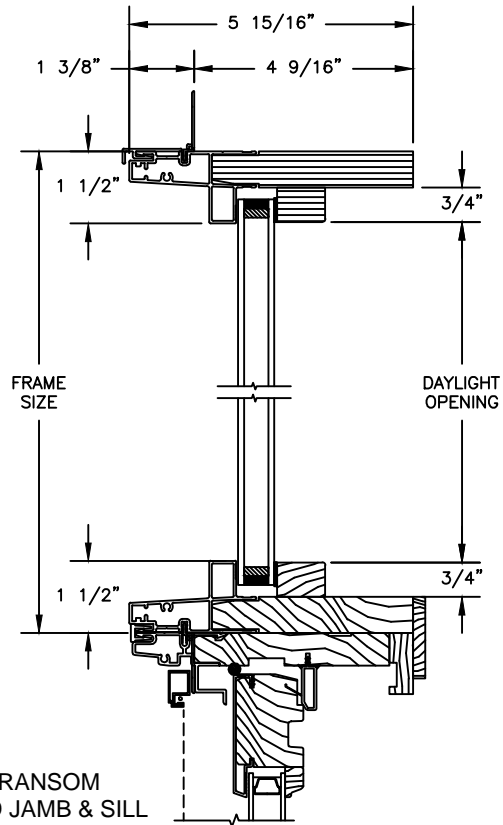
Pinnacle Series

CLAD RADIUS DOUBLE HUNG

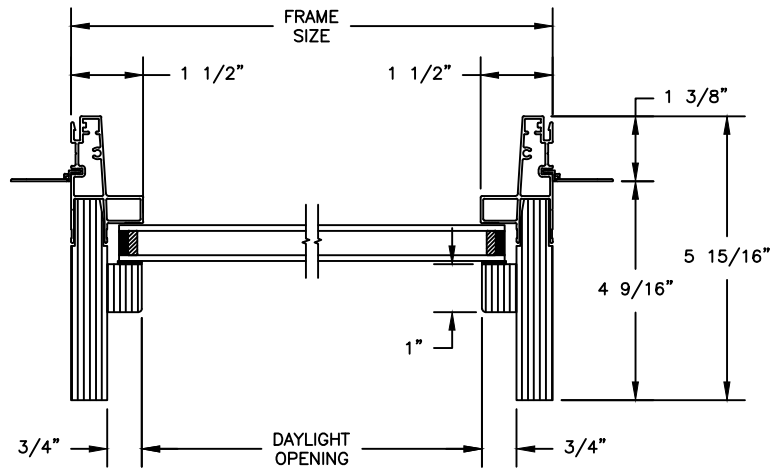
SECTION DETAILS: HALF ROUND
 SCALE: 3" = 1'-0"



HEAD JAMB & SILL



TRANSOM
 HEAD JAMB & SILL



HALF ROUNDS, FULL ROUNDS & OVALS
 JAMB

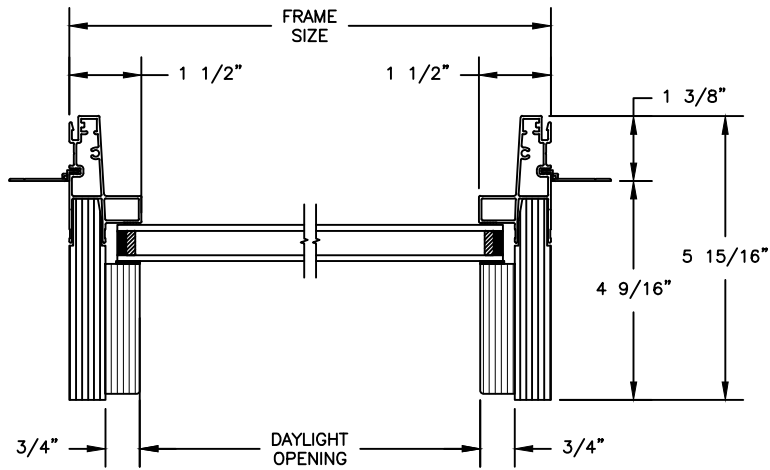
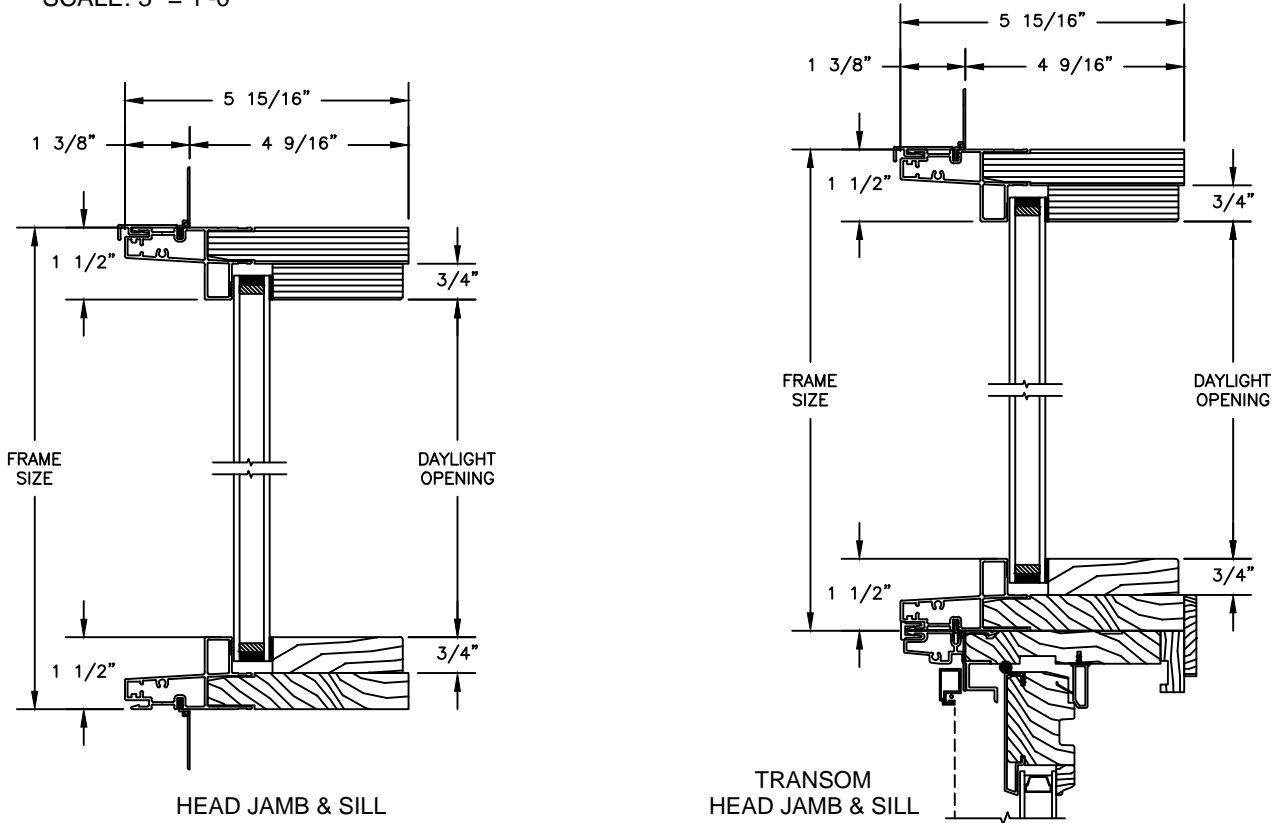
AVAILABLE INTERIOR TRIM PROFILES



Pinnacle Series

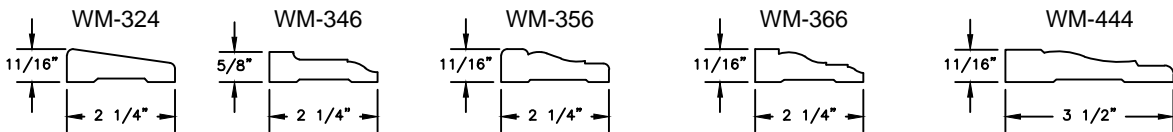
CLAD RADIUS DOUBLE HUNG

SECTION DETAILS: HALF ROUND WITH CONTEMPORARY STOPS
 SCALE: 3" = 1'-0"



HALF ROUNDS, FULL ROUNDS & OVALS JAMB

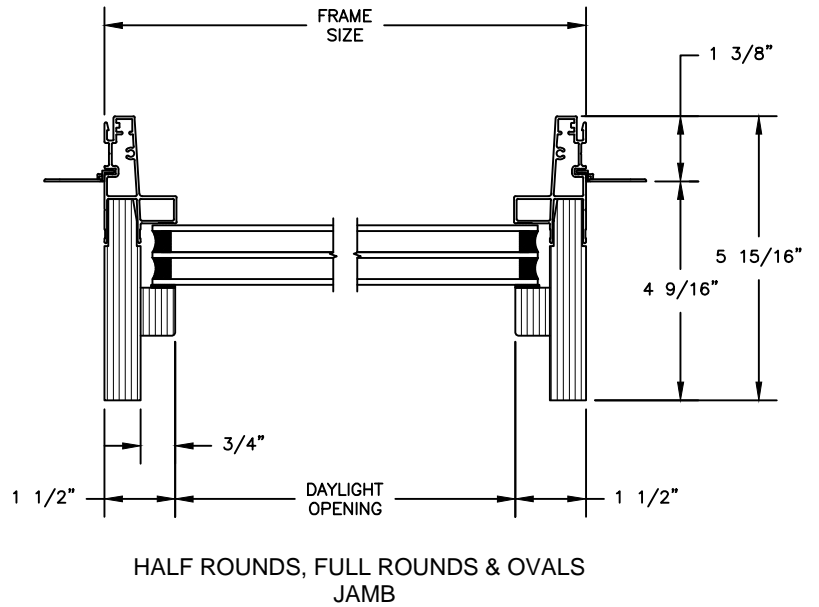
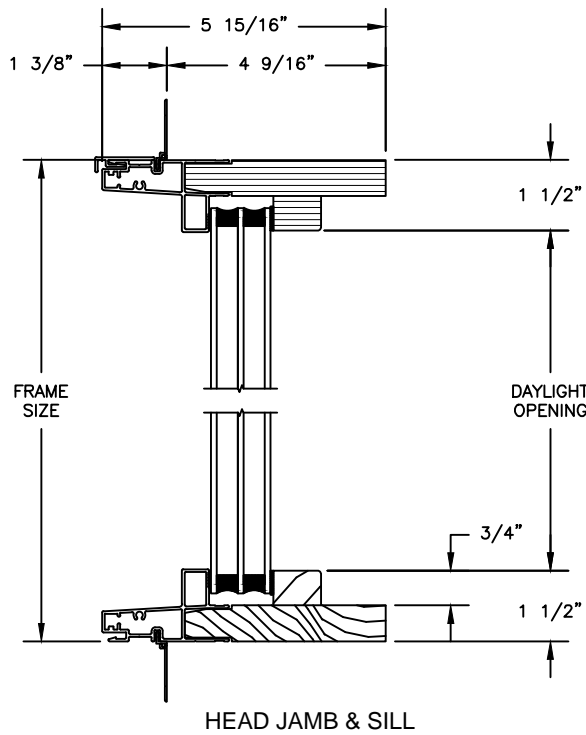
AVAILABLE INTERIOR TRIM PROFILES



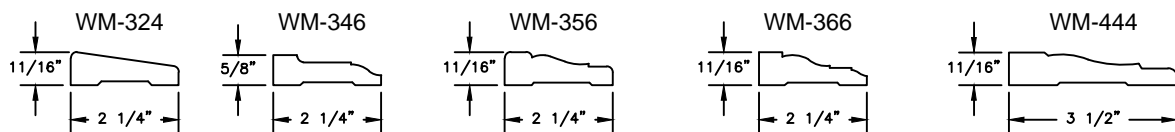
Pinnacle Series

CLAD RADIUS DIRECT SET

SECTION DETAILS: 1 1/4" TRIPLE IG RADIUS
 SCALE: 3" = 1'-0"



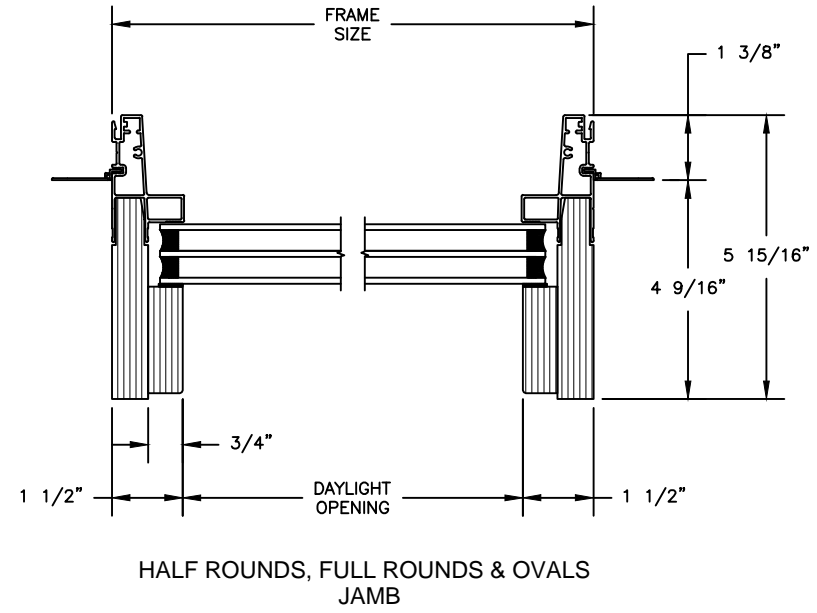
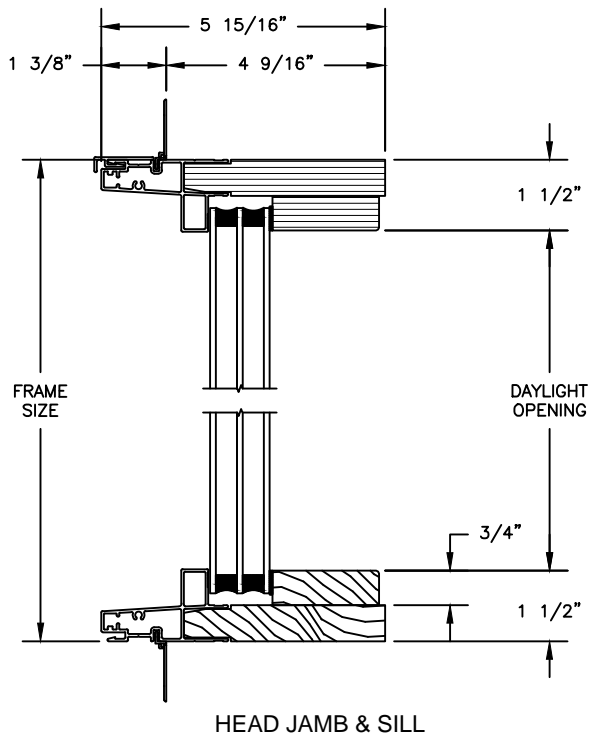
AVAILABLE INTERIOR TRIM PROFILES



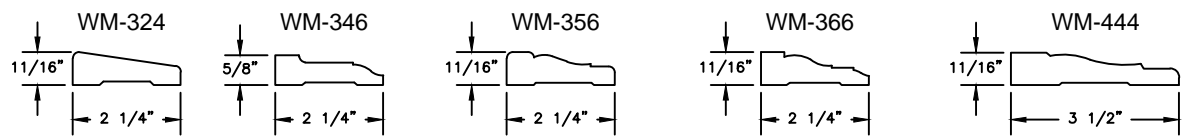
Pinnacle Series

CLAD RADIUS DIRECT SET

SECTION DETAILS: 1 1/4" TRIPLE IG RADIUS WITH CONTEMPORARY STOPS
 SCALE: 3" = 1'-0"



AVAILABLE INTERIOR TRIM PROFILES

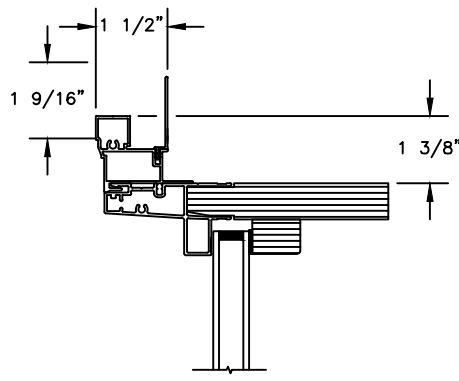


Pinnacle Series

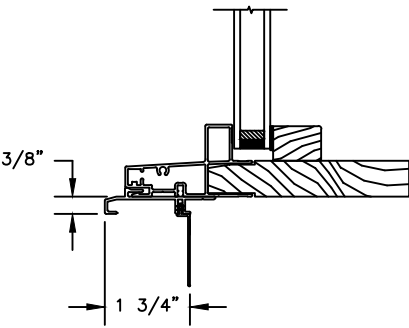
CLAD RADIUS

SECTION DETAILS : CASING OPTIONS

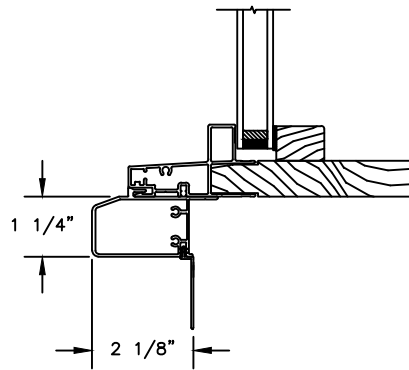
SCALE: 3" = 1'-0"



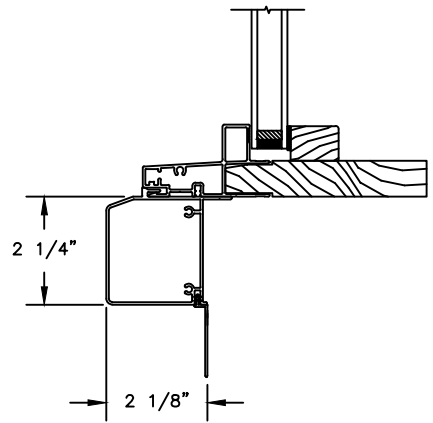
HEAD JAMB WITH CLAD BRICKMOULD CASING



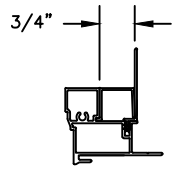
SILL WITH 3/8" CLAD SUBSILL



SILL WITH 1 1/4" CLAD SUBSILL



SILL WITH 2 1/4" CLAD SUBSILL



CLAD BRICKMOULD CASING WITH OPTIONAL J-CHANNEL COVER




Pinnacle Series

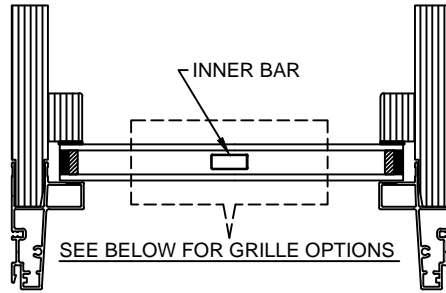
CLAD RADIUS

SECTION DETAILS : DIVIDED LITE OPTIONS

SCALE: 3" = 1'-0"

AVAILABLE STYLES

-  - PUTTY
-  - OGEE
-  - CONTEMPORARY

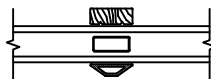
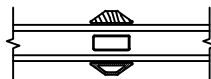
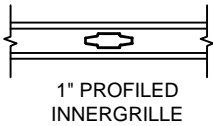
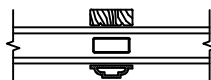
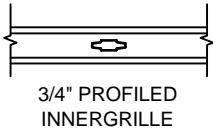
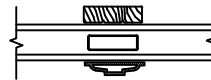
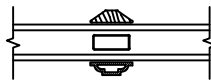
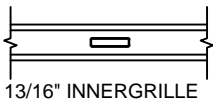
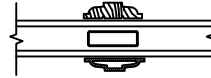


5/8" WDL WITH
INNER BAR

7/8" WDL WITH
INNERBAR

1 1/4" WDL WITH
INNERBAR

2" WDL WITH
INNERBAR



NOTE:

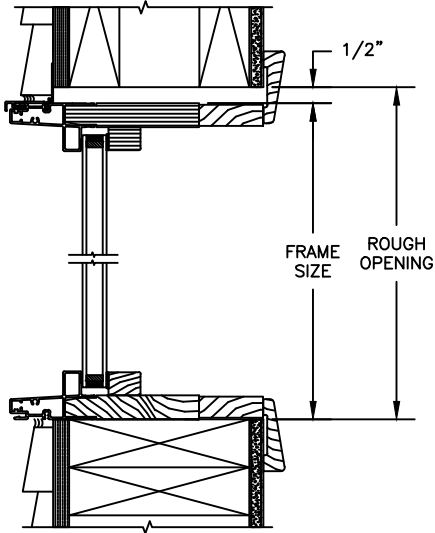
* ALL WDL OPTIONS CAN BE ORDERED WITH OR WITHOUT INNER BAR

Pinnacle Series

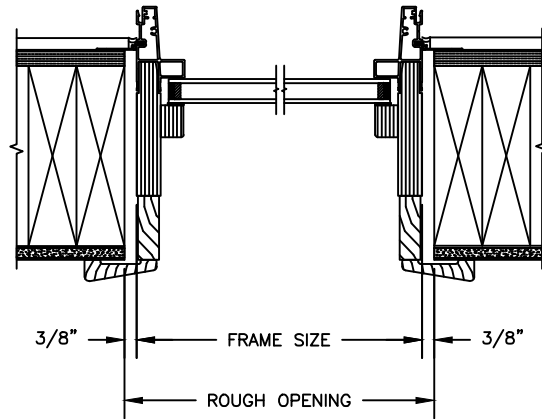
CLAD RADIUS

SECTION DETAILS : CONSTRUCTION

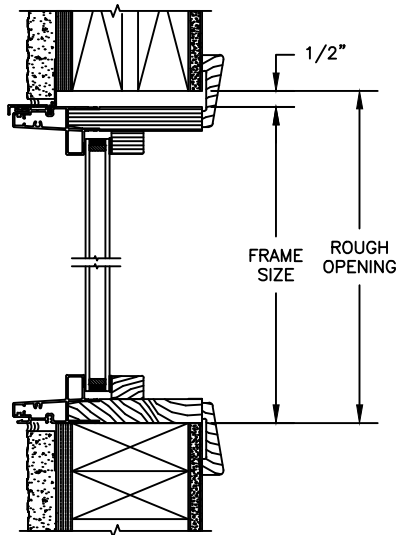
SCALE: 2" = 1'-0"



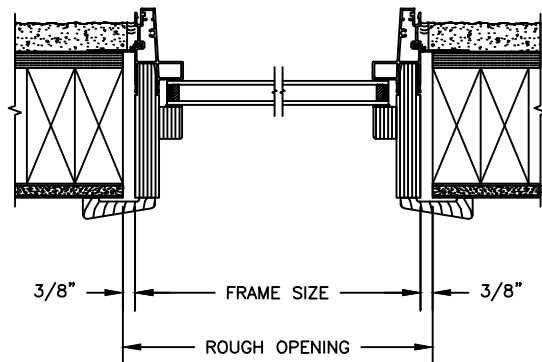
HEAD JAMB & SILL
2 X 6 FRAME WITH SIDING



HEAD JAMB & SILL
2 X 6 FRAME WITH SIDING



HEAD JAMB & SILL
2 X 4 FRAME WITH STUCCO



JAMBS
2 X 4 FRAME WITH STUCCO

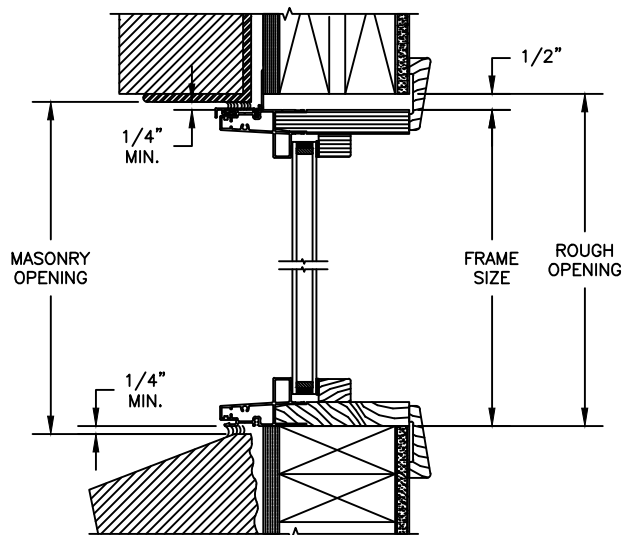
NOTE:
THE ABOVE WALL SECTIONS REPRESENT TYPICAL WALL CONDITIONS, THESE DETAILS ARE NOT INTENDED AS INSTALLATIONS INSTRUCTIONS. PLEASE REFER TO THE INSTALLATION INSTRUCTIONS PROVIDED WITH THE PURCHASED UNITS.

Pinnacle Series

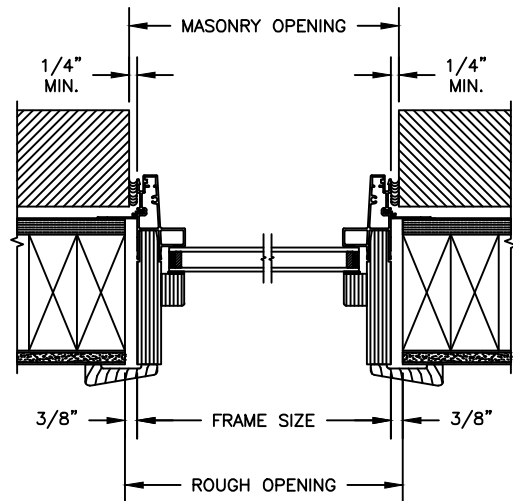
CLAD RADIUS

SECTION DETAILS : CONSTRUCTION

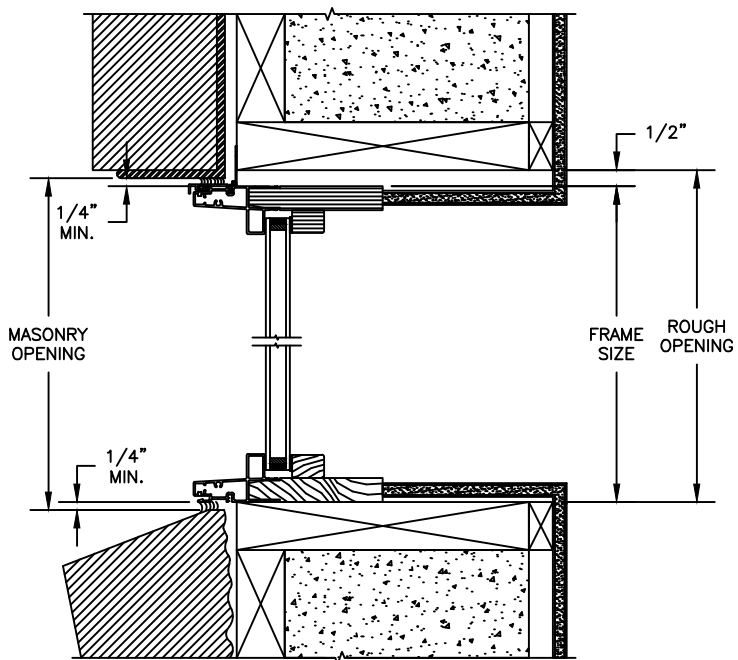
SCALE: 2" = 1'-0"



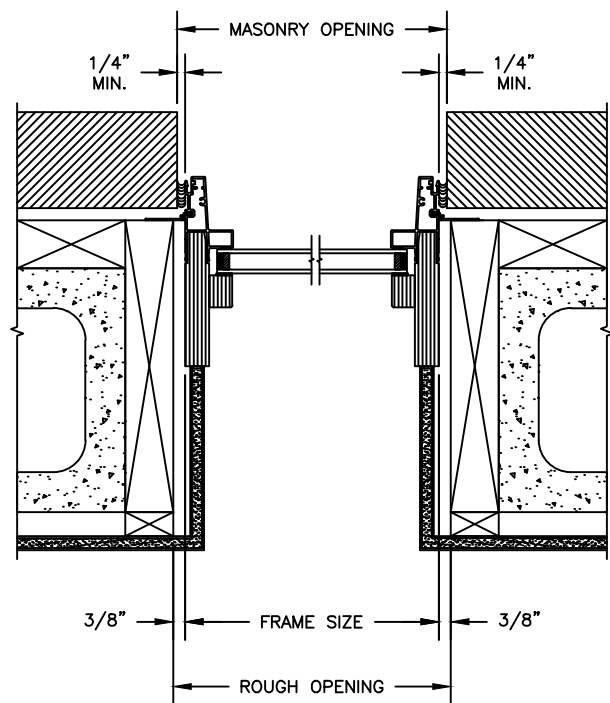
HEAD JAMB & SILL
2 X 4 FRAME WITH BRICK VENEER



JAMBS
2 X 4 FRAME WITH BRICK VENEER



HEAD JAMB & SILL
8" CONCRETE BLOCK WALL
WITH BRICK VENEER



JAMBS
8" CONCRETE BLOCK WALL
WITH BRICK VENEER