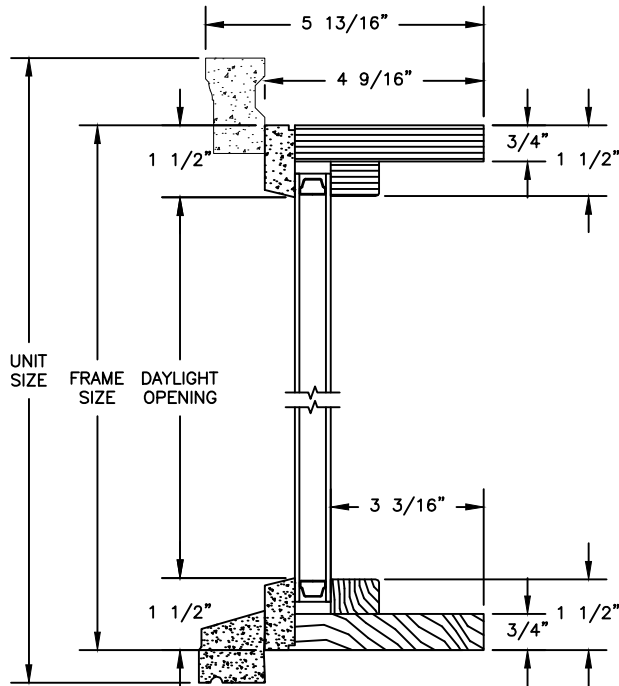


# Pinnacle Series

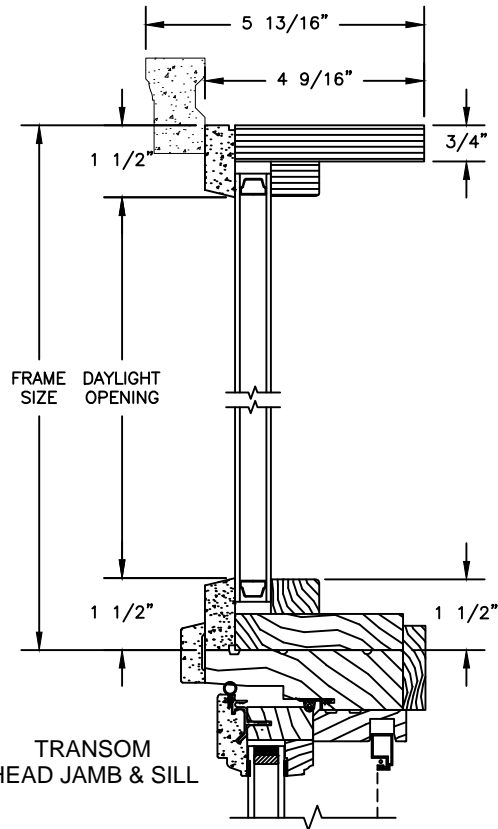
## PRIMED RADIUS DIRECT GLAZE

SECTION DETAILS: HALF ROUND

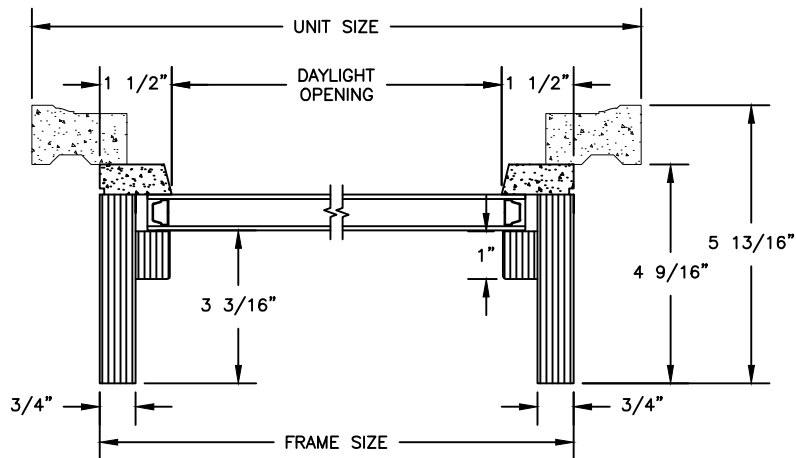
SCALE: 3" = 1'-0"



HEAD JAMB & SILL

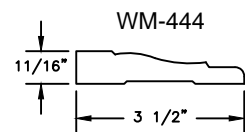
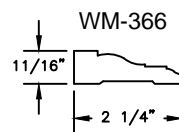
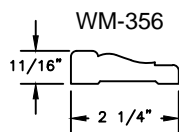
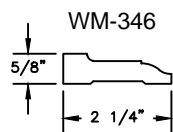
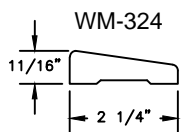


TRANSOM  
HEAD JAMB & SILL



HALF ROUNDS, FULL ROUNDS & OVALS  
JAMB

### AVAILABLE INTERIOR TRIM PROFILES

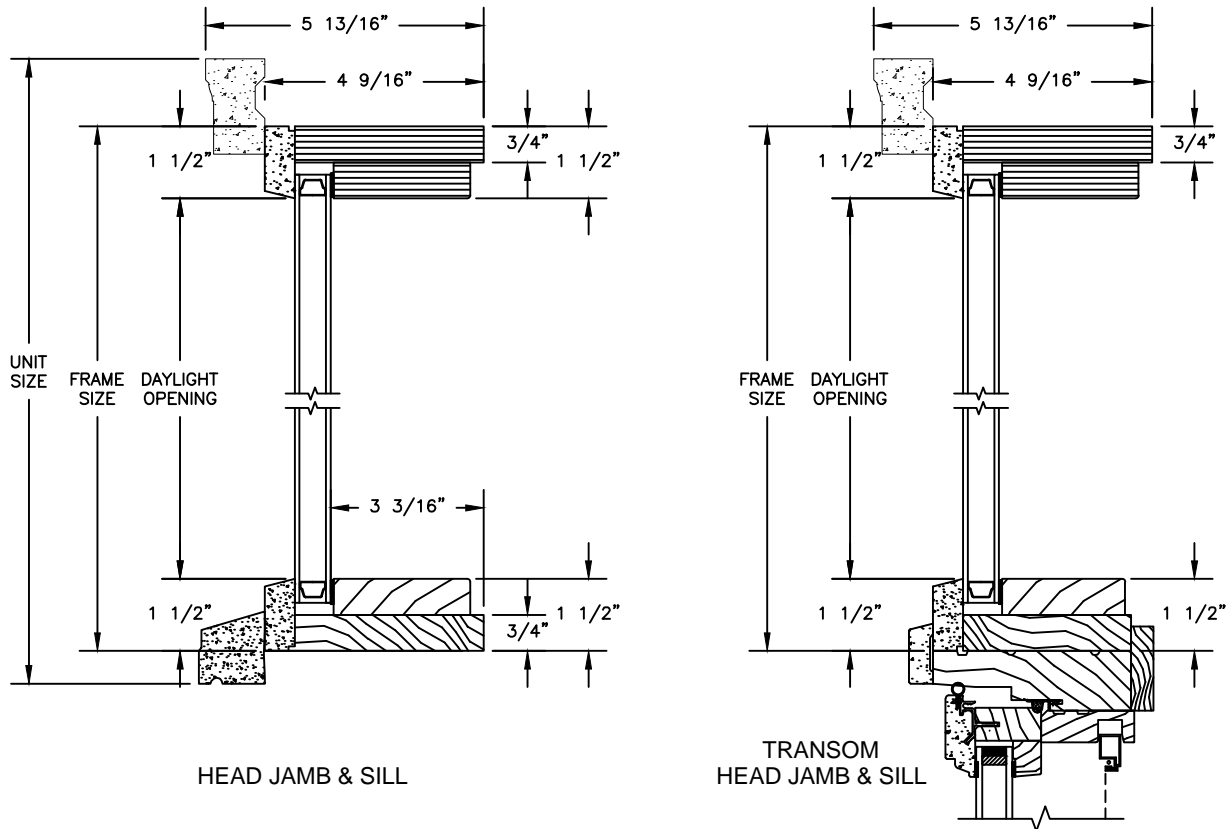


# Pinnacle Series

## PRIMED RADIUS DIRECT GLAZE

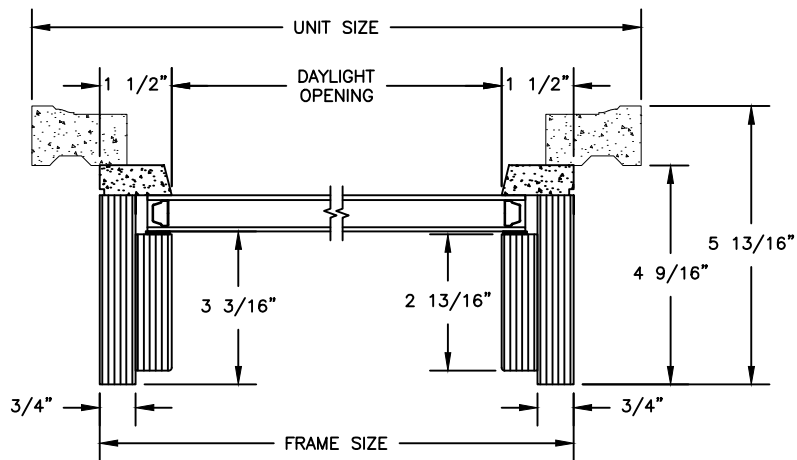
SECTION DETAILS: HALF ROUND WITH CONTEMPORARY STOPS

SCALE: 3" = 1'-0"



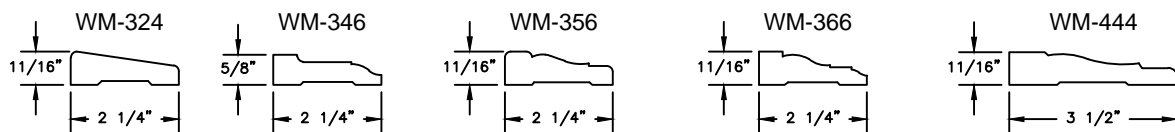
HEAD JAMB & SILL

TRANSOM HEAD JAMB & SILL



HALF ROUNDS, FULL ROUNDS & OVALS JAMB

### AVAILABLE INTERIOR TRIM PROFILES

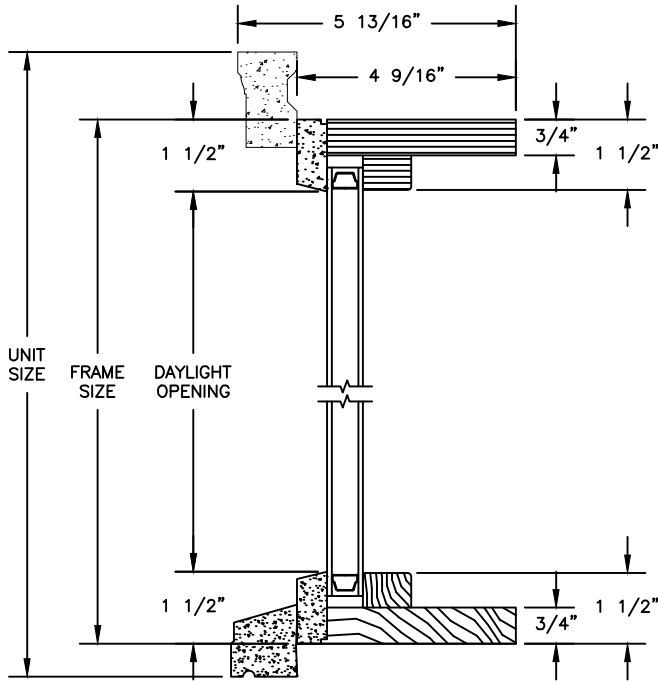


# Pinnacle Series

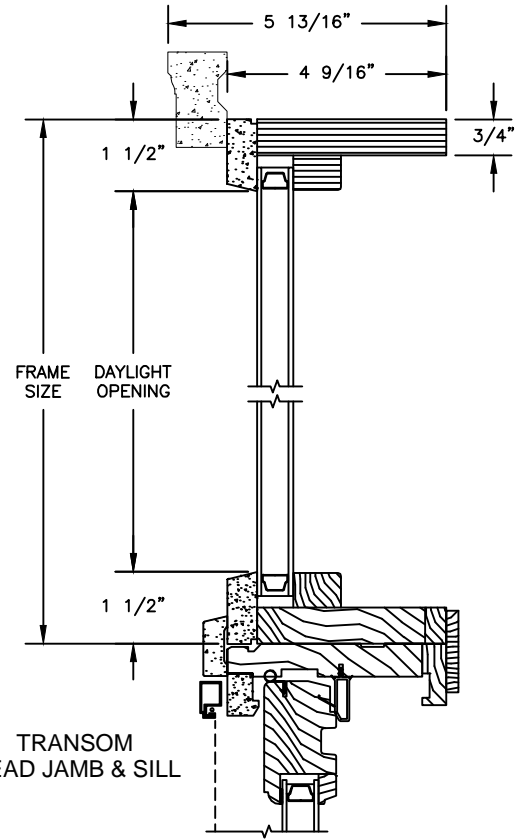
## PRIMED RADIUS DIRECT GLAZE

SECTION DETAILS: HALF ROUND

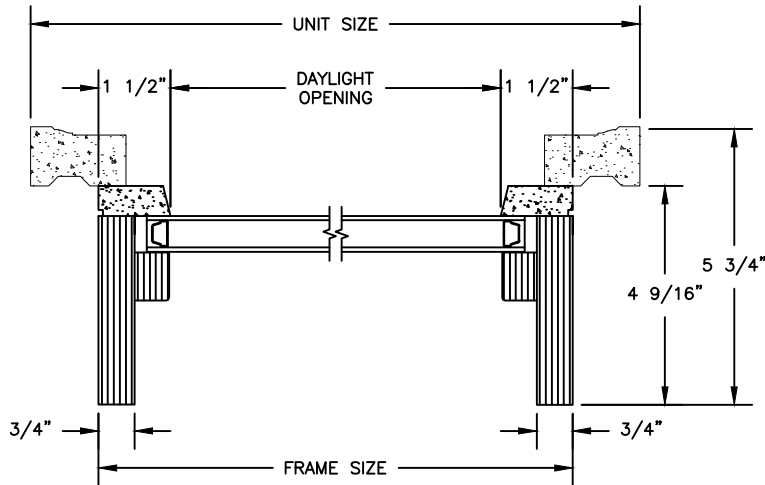
SCALE: 3" = 1'-0"



HEAD JAMB & SILL

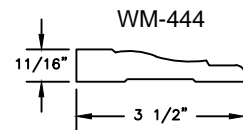
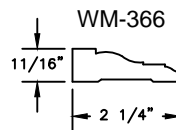
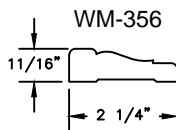
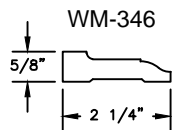
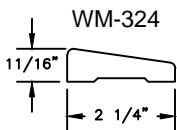


TRANSOM  
HEAD JAMB & SILL



HALF ROUNDS, FULL ROUNDS & OVALS  
JAMB

### AVAILABLE INTERIOR TRIM PROFILES

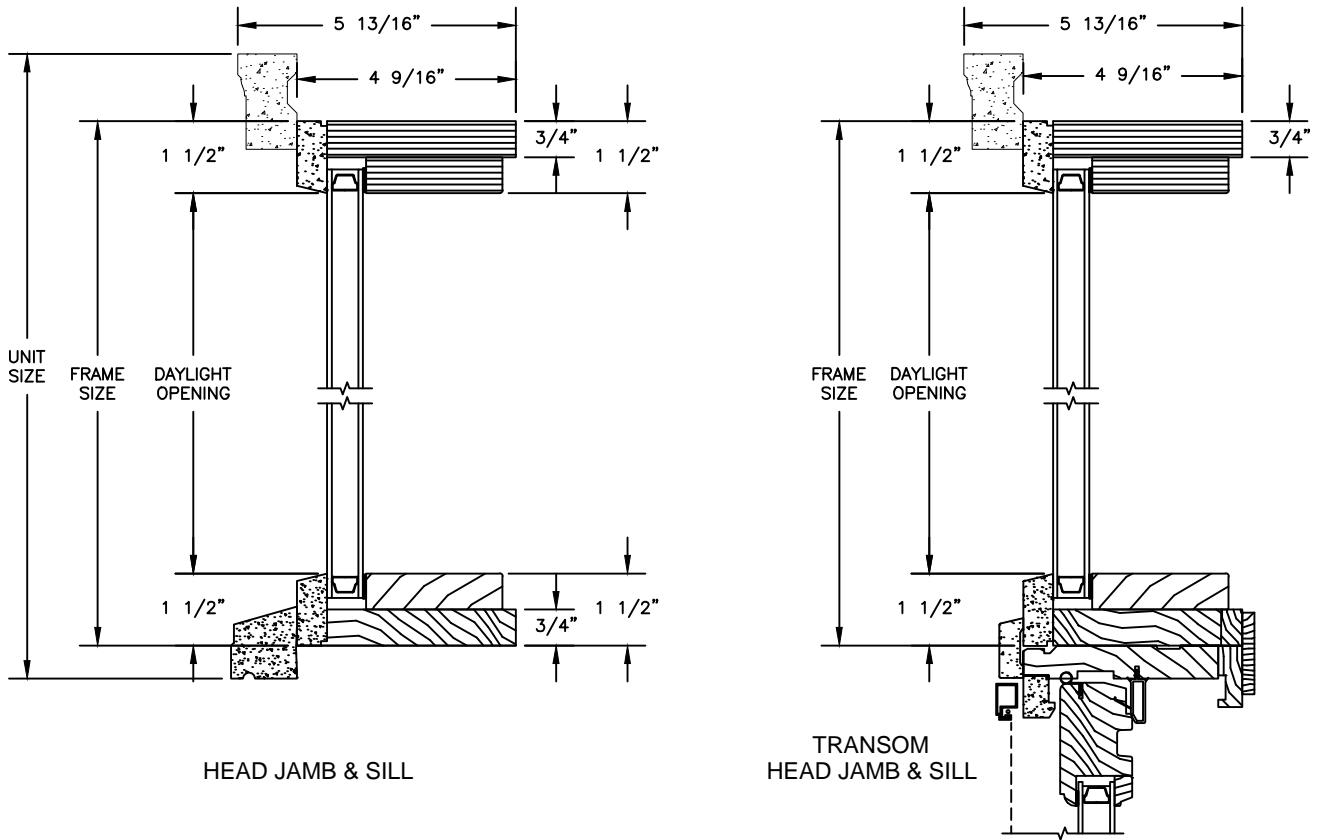


# Pinnacle Series

## PRIMED RADIUS DIRECT GLAZE

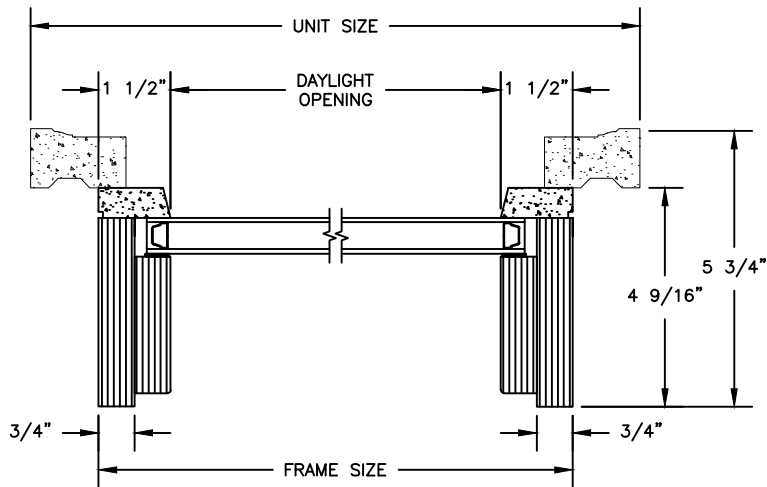
SECTION DETAILS: HALF ROUND WITH CONTEMPORARY STOPS

SCALE: 3" = 1'-0"



HEAD JAMB & SILL

TRANSOM  
HEAD JAMB & SILL



HALF ROUNDS, FULL ROUNDS & OVALS  
JAMB

### AVAILABLE INTERIOR TRIM PROFILES

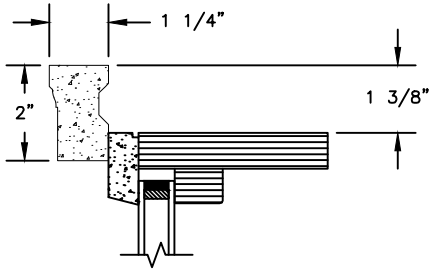


# Pinnacle Series

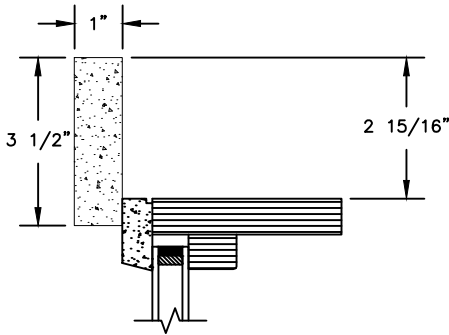
## PRIMED RADIUS

SECTION DETAILS : CASING OPTIONS

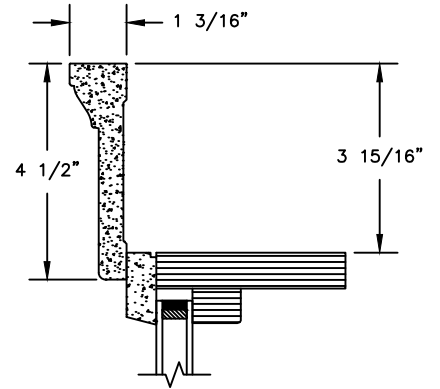
SCALE: 3" = 1'-0"



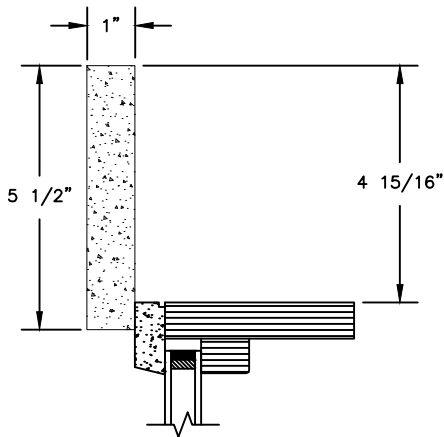
HEAD JAMB WITH  
STANDARD 180 BRICKMOULD



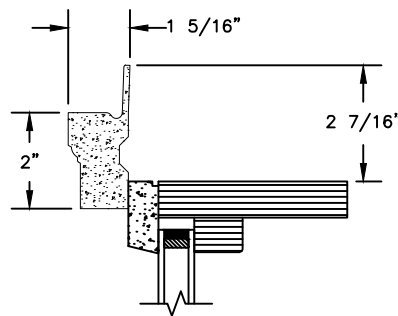
HEAD JAMB WITH  
3 1/2" FLAT CASING



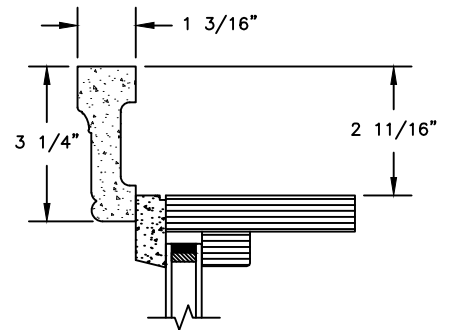
HEAD JAMB WITH  
4 1/2" BACKBAND



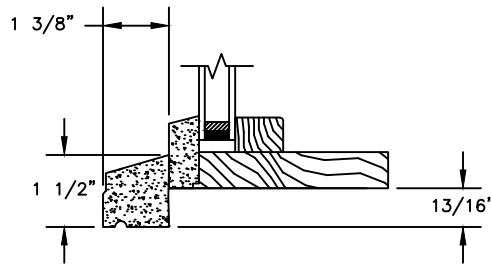
HEAD JAMB WITH  
5 1/2" FLAT CASING



HEAD JAMB WITH  
180 FLANGED BRICKMOULD



HEAD JAMB WITH  
WILLIAMSBURG BRICKMOULD



SILL WITH  
STANDARD SILL NOSE




# Pinnacle Series

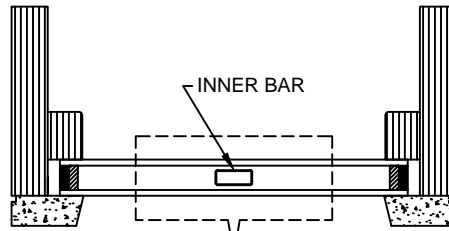
## PRIMED RADIUS

SECTION DETAILS : DIVIDED LITE OPTIONS

SCALE: 3" = 1'-0"

AVAILABLE STYLES

-  - PUTTY
-  - OGEE
-  - CONTEMPORARY



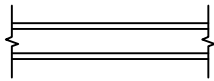
SEE BELOW FOR GRILLE OPTIONS

5/8" WDL WITH  
INNER BAR

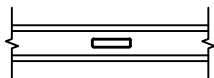
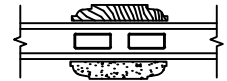
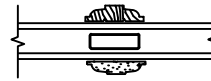
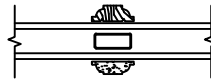
7/8" WDL WITH  
INNERBAR

1 1/4" WDL WITH  
INNERBAR

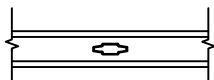
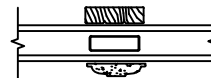
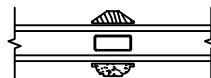
2" WDL WITH  
INNERBAR



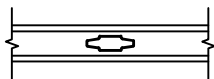
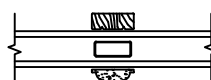
STANDARD  
INSULATING GLASS



13/16" INNERGRILLE



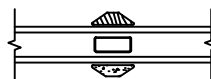
3/4" PROFILED  
INNERGRILLE



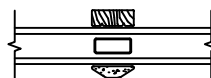
1" PROFILED  
INNERGRILLE



7/8" STICK GRILLE



1 1/4" STICK GRILLE



NOTE:

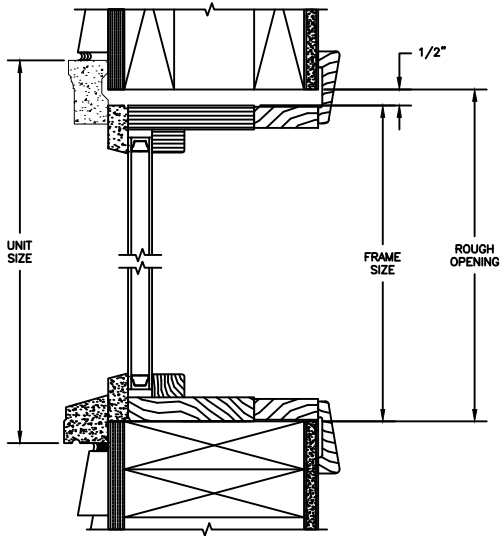
\* ALL WDL OPTIONS CAN BE ORDERED WITH OR WITHOUT INNER BAR

# Pinnacle Series

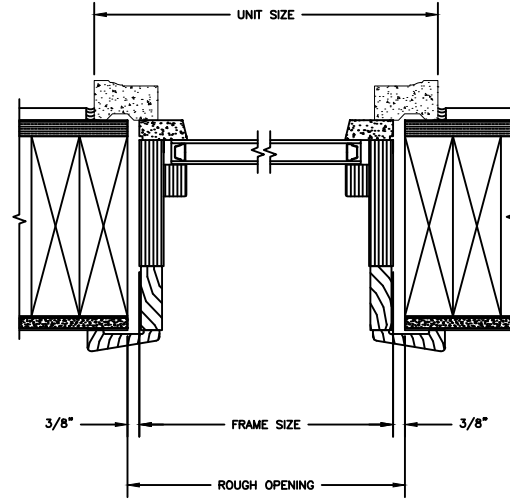
## PRIMED RADIUS

SECTION DETAILS : CONSTRUCTION

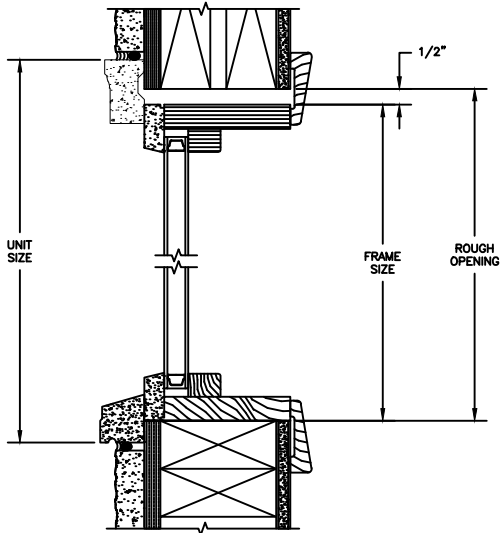
SCALE: 2" = 1'-0"



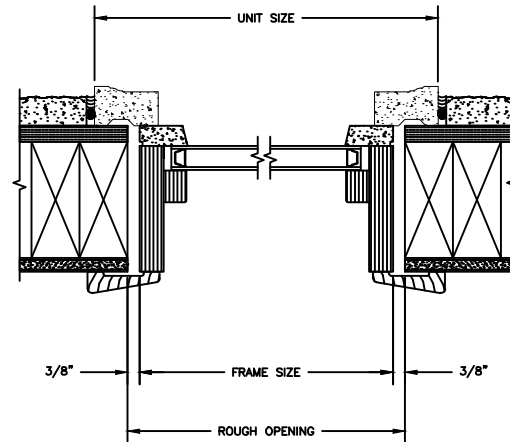
HEAD JAMB & SILL  
2 X 6 FRAME WITH SIDING



JAMBS  
2 X 6 FRAME WITH SIDING



HEAD JAMB & SILL  
2 X 4 FRAME WITH STUCCO



JAMBS  
2 X 4 FRAME WITH STUCCO

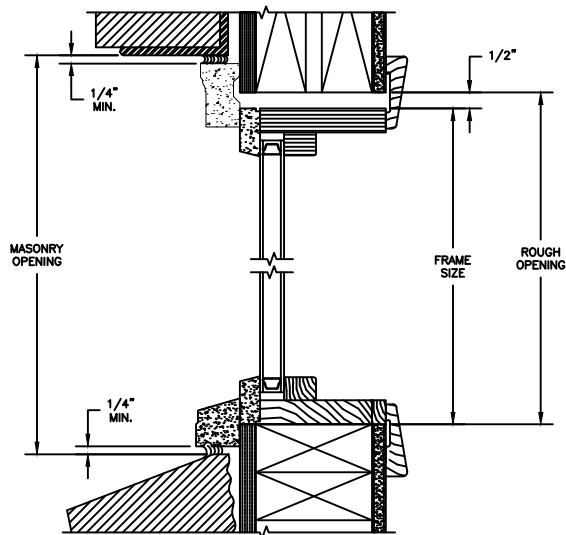
NOTE :  
THE ABOVE WALL SECTIONS REPRESENT TYPICAL WALL CONDITIONS, THESE DETAILS ARE NOT INTENDED AS INSTALLATIONS INSTRUCTIONS. PLEASE REFER TO THE INSTALLATION INSTRUCTIONS PROVIDED WITH THE PURCHASED UNITS.

# Pinnacle Series

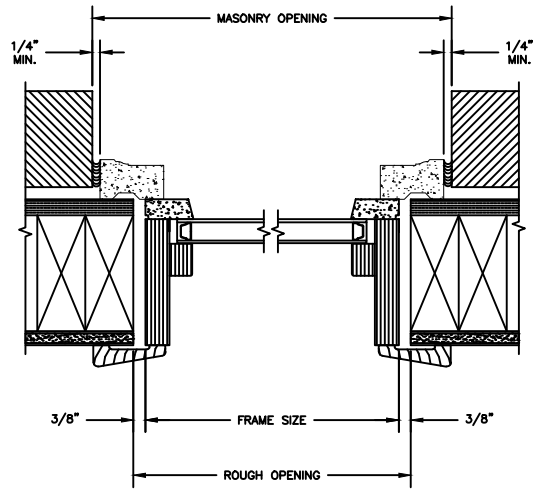
## PRIMED RADIUS

SECTION DETAILS : CONSTRUCTION

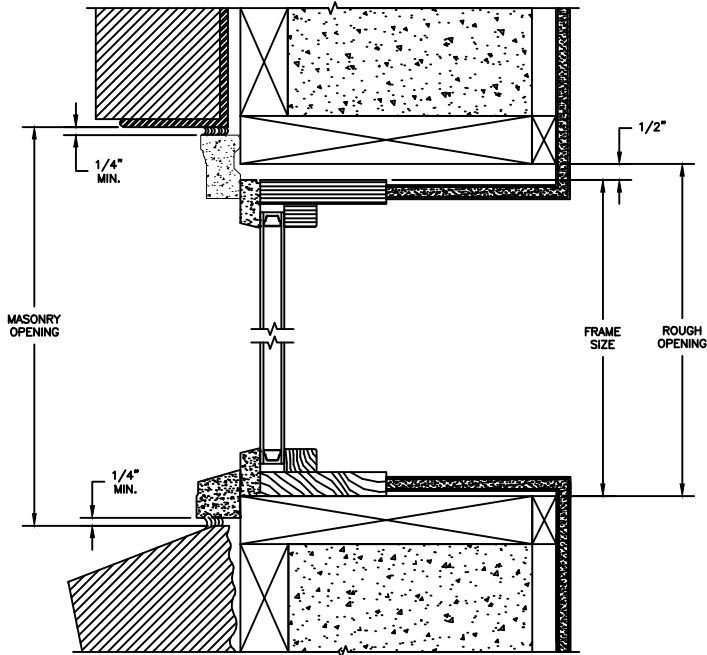
SCALE: 2" = 1'-0"



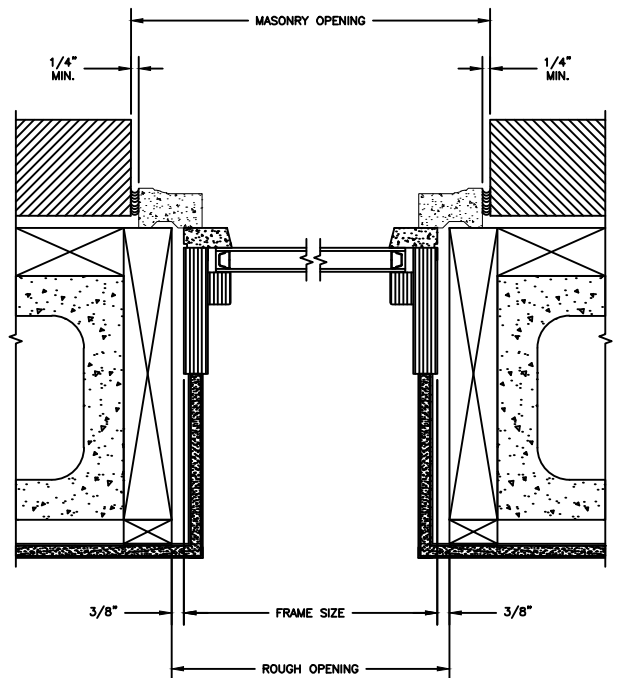
HEAD JAMB & SILL  
2 X 4 FRAME WITH BRICK VENEER



JAMBS  
2 X 4 FRAME WITH BRICK VENEER



HEAD JAMB & SILL  
8" CONCRETE BLOCK WALL  
WITH BRICK VENEER



JAMBS  
8" CONCRETE BLOCK WALL  
WITH BRICK VENEER

NOTE:  
THE ABOVE WALL SECTIONS REPRESENT TYPICAL WALL CONDITIONS, THESE DETAILS ARE NOT INTENDED AS INSTALLATIONS INSTRUCTIONS. PLEASE REFER TO THE INSTALLATION INSTRUCTIONS PROVIDED WITH THE PURCHASED UNITS.