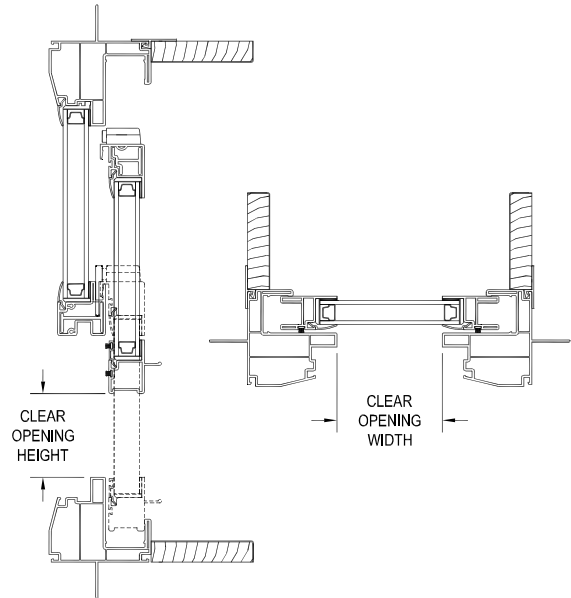


Next Dimension Signature Series

SINGLE HUNG

EGRESS, LITE & SCREEN MEASUREMENTS

Egress, Lite and Vent Measurements									
Single Hung									
Size	Egress Width	Egress Height	Sq. Ft. Egress	Egress Code Compliance*			Sq. Ft. Daylite	Screen Size	
				U.S.		Canada		Width	Height
				5.0 ft ²	5.7 ft ²				
1824	12.250	6.625	0.56	-	-	-	1.40	13 3/8	9 3/16
1830	12.250	9.625	0.82	-	-	-	1.91	13 3/8	12 3/16
1836	12.250	12.625	1.07	-	-	-	2.42	13 3/8	15 3/16
1842	12.250	15.625	1.33	-	-	-	2.93	13 3/8	18 3/16
1848	12.250	18.625	1.58	-	-	-	3.45	13 3/8	21 3/16
1854	12.250	21.625	1.84	-	-	-	3.96	13 3/8	24 3/16
1860	12.250	24.625	2.09	-	-	-	4.47	13 3/8	27 3/16
1866	12.250	27.625	2.35	-	-	-	4.98	13 3/8	30 3/16
1872	12.250	30.625	2.61	-	-	-	5.49	13 3/8	33 3/16
1878	12.250	33.625	2.86	-	-	-		13 3/8	36 3/16
1884	12.250	36.625	3.12	-	-	-		13 3/8	39 3/16
2424	18.250	6.625	0.84	-	-	-	2.09	19 3/8	9 3/16
2430	18.250	9.625	1.22	-	-	-	2.85	19 3/8	12 3/16
2436	18.250	12.625	1.60	-	-	-	3.61	19 3/8	15 3/16
2442	18.250	15.625	1.98	-	-	-	4.37	19 3/8	18 3/16
2448	18.250	18.625	2.36	-	-	-	5.13	19 3/8	21 3/16
2454	18.250	21.625	2.74	-	-	-	5.89	19 3/8	24 3/16
2460	18.250	24.625	3.12	-	-	-	6.65	19 3/8	27 3/16
2466	18.250	27.625	3.50	-	-	-	7.41	19 3/8	30 3/16
2472	18.250	30.625	3.88	-	-	Y	8.17	19 3/8	33 3/16
2478	18.250	33.625	4.26	-	-	Y		19 3/8	36 3/16
2484	18.250	36.625	4.64	-	-	Y		19 3/8	39 3/16
3024	24.250	6.625	1.12	-	-	-	2.78	25 3/8	9 3/16
3030	24.250	9.625	1.62	-	-	-	3.79	25 3/8	12 3/16
3036	24.250	12.625	2.13	-	-	-	4.80	25 3/8	15 3/16
3042	24.250	15.625	2.63	-	-	-	5.81	25 3/8	18 3/16
3048	24.250	18.625	3.14	-	-	-	6.82	25 3/8	21 3/16
3054	24.250	21.625	3.64	-	-	-	7.83	25 3/8	24 3/16
3060	24.250	24.625	4.15	-	-	Y	8.84	25 3/8	27 3/16
3066	24.250	27.625	4.65	-	-	Y	9.85	25 3/8	30 3/16
3072	24.250	30.625	5.16	Y	-	Y	10.86	25 3/8	33 3/16
3078	24.250	33.625	5.66	Y	Y	Y		25 3/8	36 3/16
3084	24.250	36.625	6.17	Y	Y	Y		25 3/8	39 3/16
3624	30.250	6.625	1.39	-	-	-	3.47	31 3/8	9 3/16
3630	30.250	9.625	2.02	-	-	-	4.73	31 3/8	12 3/16
3636	30.250	12.625	2.65	-	-	-	5.99	31 3/8	15 3/16
3642	30.250	15.625	3.28	-	-	-	7.25	31 3/8	18 3/16
3648	30.250	18.625	3.91	-	-	Y	8.51	31 3/8	21 3/16
3654	30.250	21.625	4.54	-	-	Y	9.77	31 3/8	24 3/16
3660	30.250	24.625	5.17	Y	-	Y	11.03	31 3/8	27 3/16
3660e	32.000	26.375	5.86	Y	Y	Y	11.54	33 1/8	28 1/16
3666	30.250	27.625	5.80	Y	Y	Y	12.29	31 3/8	30 3/16
3672	30.250	30.625	6.43	Y	Y	Y	13.55	31 3/8	33 3/16
3678	30.250	33.625	7.06	Y	Y	Y		31 3/8	36 3/16
3684	30.250	36.625	7.69	Y	Y	Y		31 3/8	39 3/16
4224	36.250	6.625	1.67	-	-	-	4.15	37 3/8	9 3/16
4230	36.250	9.625	2.42	-	-	-	5.66	37 3/8	12 3/16
4236	36.250	12.625	3.18	-	-	-	7.17	37 3/8	15 3/16
4242	36.250	15.625	3.93	-	-	Y	8.68	37 3/8	18 3/16
4248	36.250	18.625	4.69	-	-	Y	10.20	37 3/8	21 3/16
4254	36.250	21.625	5.44	-	-	Y	11.71	37 3/8	24 3/16
4260	36.250	24.625	6.20	Y	Y	Y	13.22	37 3/8	27 3/16
4266	36.250	27.625	6.95	Y	Y	Y	14.73	37 3/8	30 3/16
4272	36.250	30.625	7.71	Y	Y	Y	16.24	37 3/8	33 3/16
4278	36.250	33.625	8.46	Y	Y	Y		37 3/8	36 3/16
4284	36.250	36.625	9.22	Y	Y	Y		37 3/8	39 3/16
4836	42.250	12.625	3.70	-	-	-	8.36	43 3/8	15 3/16
4842	42.250	15.625	4.58	-	-	Y	10.12	43 3/8	18 3/16
4848	42.250	18.625	5.46	-	-	Y	11.88	43 3/8	21 3/16
4854	42.250	21.625	6.34	-	-	Y	13.64	43 3/8	24 3/16
4860	42.250	24.625	7.23	Y	Y	Y	15.40	43 3/8	27 3/16
4866	42.250	27.625	8.11	Y	Y	Y	17.16	43 3/8	30 3/16
4872	42.250	30.625	8.99	Y	Y	Y	18.92	43 3/8	33 3/16



Egress Conversions	
Width	R.O. - 5.75"
Height	R.O. / 2 - 5.373"

Egress Conversions - Egress Frame	
Width	R.O. - 4"
Height	R.O. / 2 - 3.321"

* Egress Code Compliance Terminology

- Y Meets Code
- Does Not Meet Code

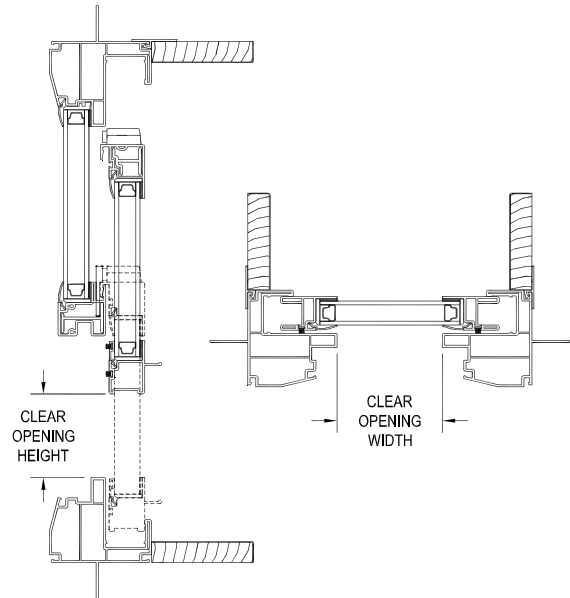
Code Requirements	Min Width	Min Height	Min Area (sq.ft.)
U.S.	20"	24"	5.7
U.S. Grade Floor	20"	24"	5.0
Canada	15"	15"	3.77

Next Dimension Signature Series

SINGLE HUNG

EGRESS, LITE & SCREEN MEASUREMENTS

Egress, Lite and Vent Measurements									
Single Hung									
Size	Egress Width	Egress Height	Sq. Ft. Egress	Egress Code Compliance*			Sq. Ft. Daylite	Screen Size	
				U.S.		Canada		Width	Height
				5.0 ft ²	5.7 ft ²				
Cottage									
1860	12.250	18.625	1.58	-	-	-	4.47	13 3/8	33 3/16
1866	12.250	21.625	1.84	-	-	-	4.98	13 3/8	36 3/16
1872	12.250	24.625	2.09	-	-	-	5.49	13 3/8	39 3/16
2460	18.250	18.625	2.36	-	-	-	6.65	19 3/8	33 3/16
2466	18.250	21.625	2.74	-	-	-	7.41	19 3/8	36 3/16
2472	18.250	24.625	3.12	-	-	-	8.17	19 3/8	39 3/16
3060	24.250	18.625	3.14	-	-	-	8.84	25 3/8	33 3/16
3066	24.250	21.625	3.64	-	-	-	9.85	25 3/8	36 3/16
3072	24.250	24.625	4.15	-	-	Y	10.86	25 3/8	39 3/16
3660	30.250	18.625	3.91	-	-	Y	11.03	31 3/8	33 3/16
3666	30.250	21.625	4.54	-	-	Y	12.29	31 3/8	36 3/16
3672	30.250	24.625	5.17	Y	-	Y	13.55	31 3/8	39 3/16
4260	36.250	18.625	4.69	-	-	Y	13.22	37 3/8	33 3/16
4266	36.250	21.625	5.44	-	-	Y	14.73	37 3/8	36 3/16
4272	36.250	24.625	6.20	Y	Y	Y	16.24	37 3/8	39 3/16
4860	42.250	18.625	5.46	-	-	Y	15.40	43 3/8	33 3/16
4866	42.250	21.625	6.34	-	-	Y	17.16	43 3/8	36 3/16
4872	42.250	24.625	7.23	Y	Y	Y	18.92	43 3/8	39 3/16
Oriel									
1860	12.250	18.625	1.58	-	-	-	4.47	13 3/8	21 3/16
1866	12.250	21.625	1.84	-	-	-	4.98	13 3/8	24 3/16
1872	12.250	24.625	2.09	-	-	-	5.49	13 3/8	27 3/16
2460	18.250	18.625	2.36	-	-	-	6.65	19 3/8	21 3/16
2466	18.250	21.625	2.74	-	-	-	7.41	19 3/8	24 3/16
2472	18.250	24.625	3.12	-	-	-	8.17	19 3/8	27 3/16
3060	24.250	18.625	3.14	-	-	-	8.84	25 3/8	21 3/16
3066	24.250	21.625	3.64	-	-	-	9.85	25 3/8	24 3/16
3072	24.250	24.625	4.15	-	-	Y	10.86	25 3/8	27 3/16
3660	30.250	18.625	3.91	-	-	-	11.03	31 3/8	21 3/16
3666	30.250	21.625	4.54	-	-	Y	12.29	31 3/8	24 3/16
3672	30.250	24.625	5.17	Y	-	Y	13.55	31 3/8	27 3/16
4260	36.250	18.625	4.69	-	-	Y	13.22	37 3/8	21 3/16
4266	36.250	21.625	5.44	-	-	Y	14.73	37 3/8	24 3/16
4272	36.250	24.625	6.20	Y	Y	Y	16.24	37 3/8	27 3/16
4860	42.250	18.625	5.46	-	-	Y	15.40	43 3/8	21 3/16
4866	42.250	21.625	6.34	-	-	Y	17.16	43 3/8	24 3/16
4872	42.250	24.625	7.23	Y	Y	Y	18.92	43 3/8	27 3/16



Egress Conversions - Cottage/Oriel	
Width	R.O. - 5.75"
Height	R.O. / 2 - 11.375"

*** Egress Code Compliance Terminology**

- Y Meets Code
- Does Not Meet Code

Code Requirements	Min Width	Min Height	Min Area (sq.ft.)
U.S.	20"	24"	5.7
U.S. Grade Floor	20"	24"	5.0
Canada	15"	15"	3.77