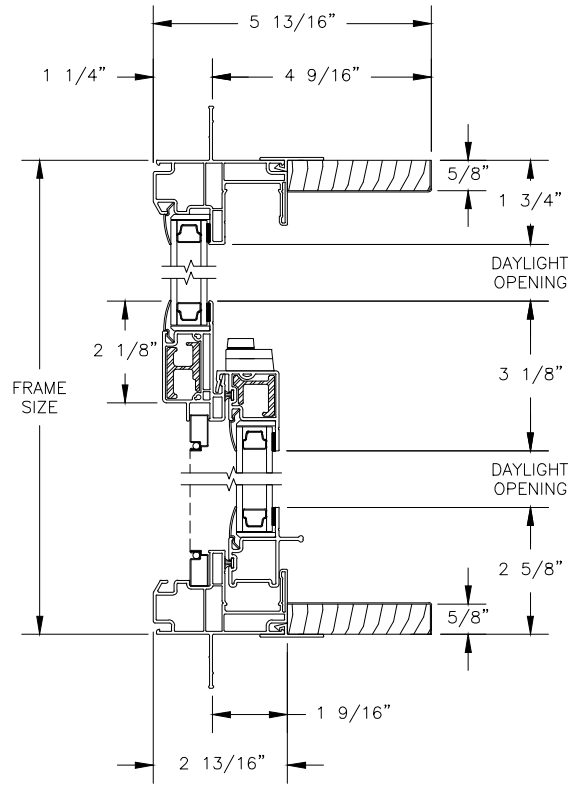


# Next Dimension Pro Series

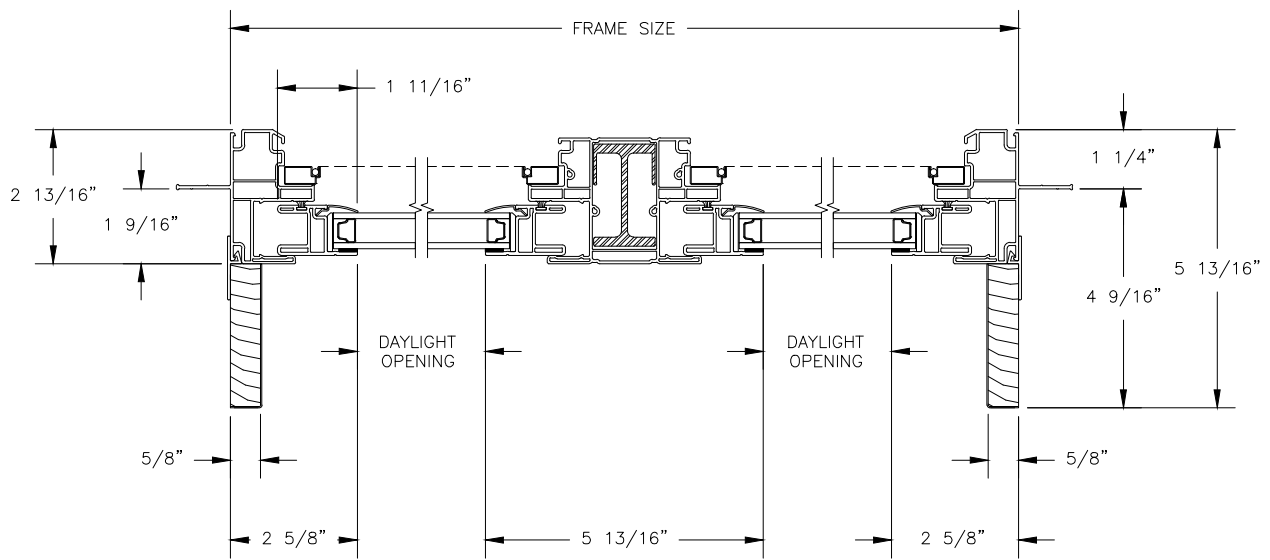
## SINGLE HUNG

SECTION DETAILS: STANDARD FRAME

SCALE: 3" = 1'-0"



HEAD JAMB & SILL



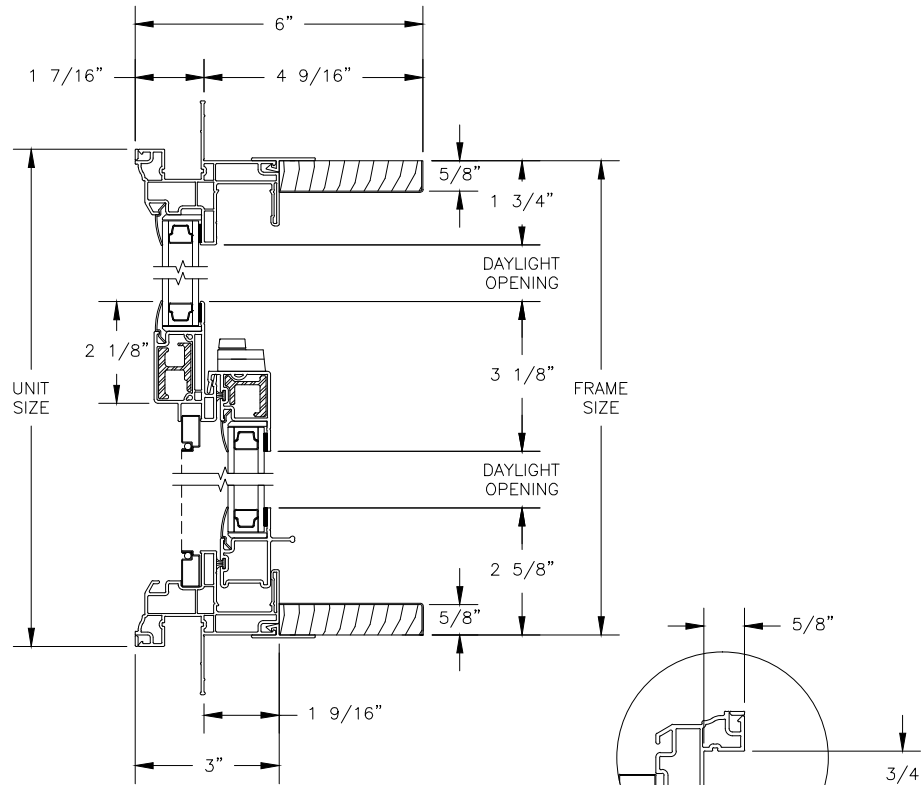
JAMBS

# Next Dimension Pro Series

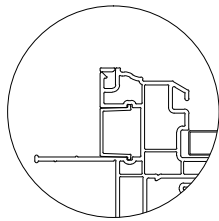
## SINGLE HUNG

SECTION DETAILS: BRICKMOULD FRAME

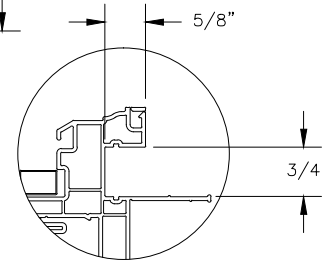
SCALE: 3" = 1'-0"



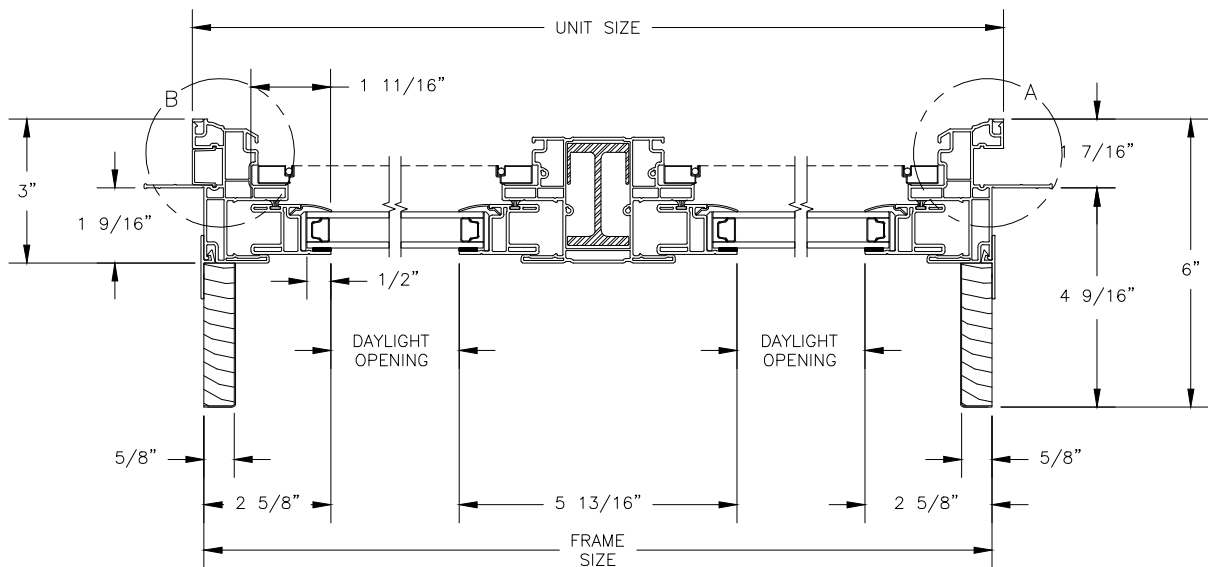
HEAD JAMB & SILL



DETAIL B  
OPTIONAL J-CHANNEL  
COVER



DETAIL A



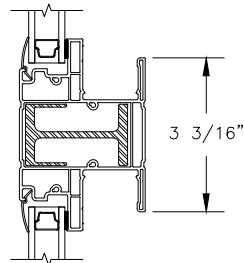
JAMBS

# Next Dimension Pro Series

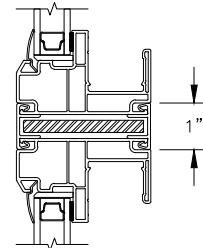
## SINGLE HUNG

SECTION DETAILS: MULLIONS

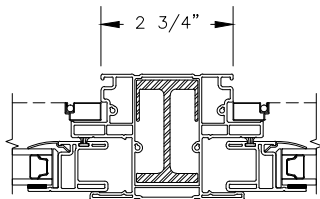
SCALE: 3" = 1'-0"



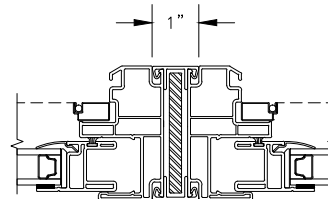
HORIZONTAL T-BAR  
FIXED/OPERATOR



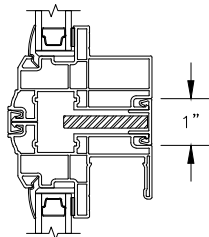
HORIZONTAL MULLION WITH  
1/2" SPREAD MULL REINFORCEMENT  
RADIUS/OPERATOR



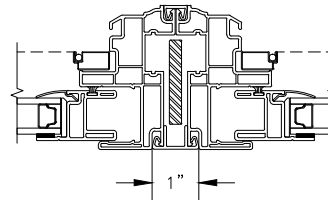
VERTICAL T-BAR  
OPERATOR/OPERATOR



VERTICAL MULLION WITH  
1/2" SPREAD MULL REINFORCEMENT  
OPERATOR/OPERATOR



HORIZONTAL MULLION  
BRICKMOULD FRAME  
RADIUS/OPERATOR



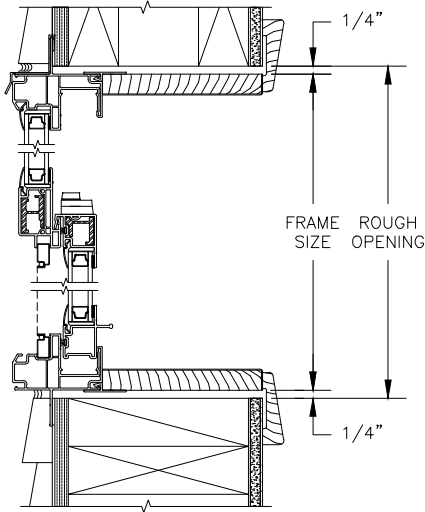
VERTICAL MULLION  
BRICKMOULD FRAME  
WITH ZERO MULL  
OPERATOR/OPERATOR

# Next Dimension Pro Series

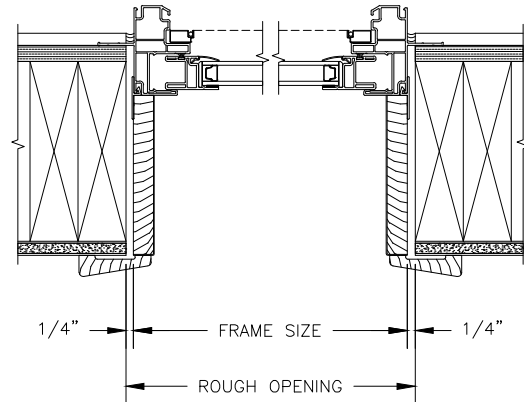
## SINGLE HUNG

SECTION DETAILS : STANDARD FRAME CONSTRUCTION

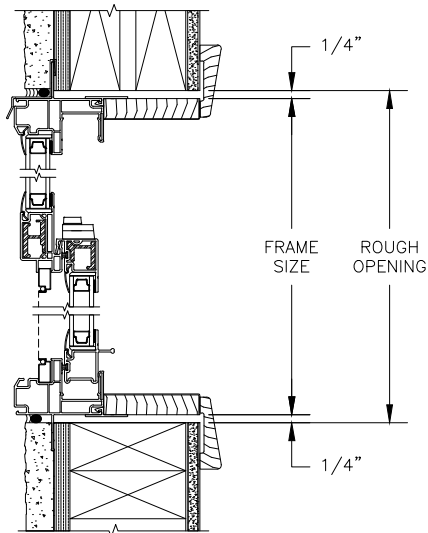
SCALE: 2" = 1'-0"



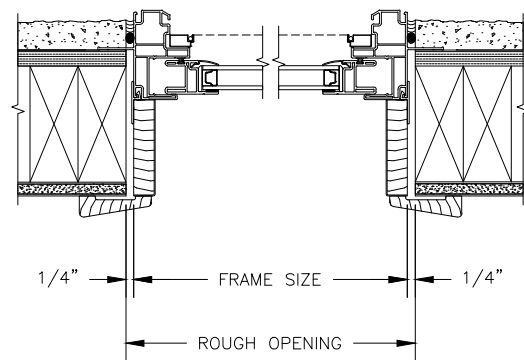
HEAD JAMB & SILL  
2 X 6 FRAME WITH SIDING



JAMBS  
2 X 6 FRAME WITH SIDING



HEAD JAMB & SILL  
2 X 4 FRAME WITH STUCCO



JAMBS  
2 X 4 FRAME WITH STUCCO

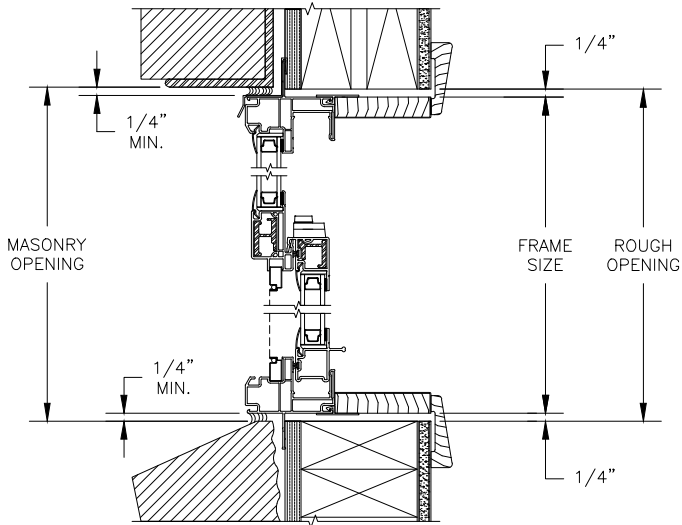
NOTE:  
THE ABOVE WALL SECTIONS REPRESENT TYPICAL WALL CONDITIONS, THESE DETAILS ARE NOT INTENDED AS INSTALLATIONS INSTRUCTIONS. PLEASE REFER TO THE INSTALLATION INSTRUCTIONS PROVIDED WITH THE PURCHASED UNITS.

# Next Dimension Pro Series

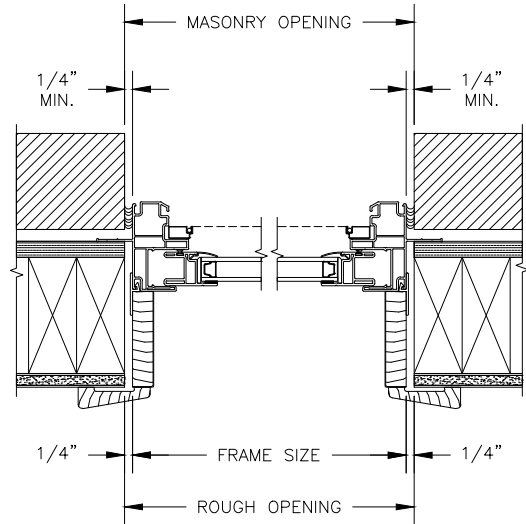
## SINGLE HUNG

SECTION DETAILS : STANDARD FRAME CONSTRUCTION

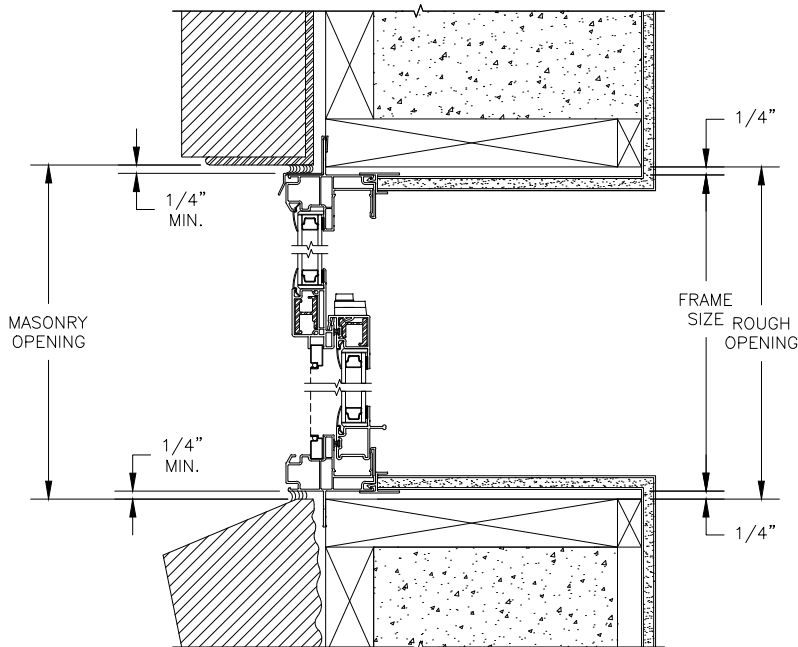
SCALE: 2" = 1'-0"



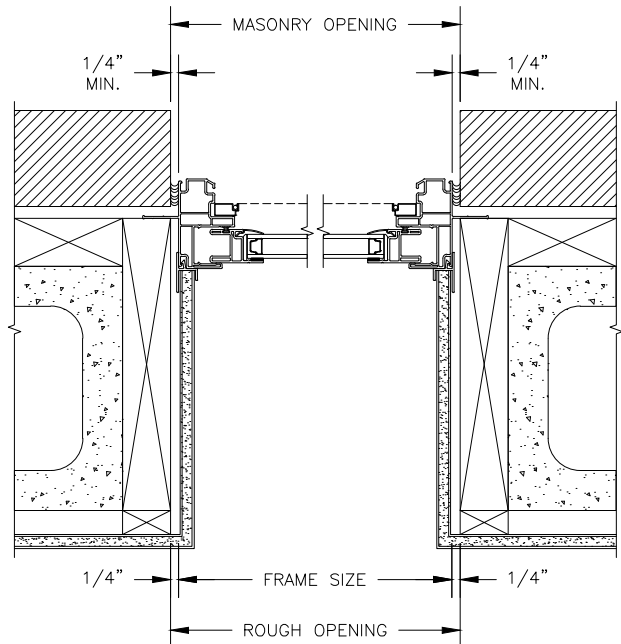
**HEAD JAMB & SILL**  
2 X 4 FRAME WITH BRICK VENEER



**JAMBS**  
2 X 4 FRAME WITH BRICK VENEER



**HEAD JAMB & SILL**  
8" CONCRETE BLOCK WALL  
WITH BRICK VENEER



**JAMBS**  
8" CONCRETE BLOCK WALL  
WITH BRICK VENEER

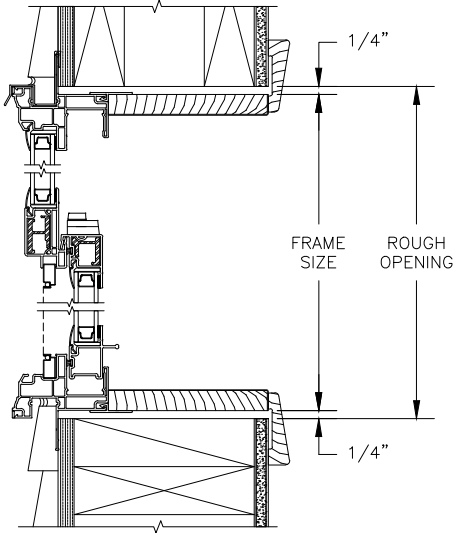
NOTE:  
THE ABOVE WALL SECTIONS REPRESENT TYPICAL WALL CONDITIONS, THESE DETAILS ARE NOT INTENDED AS INSTALLATION INSTRUCTIONS. PLEASE REFER TO THE INSTALLATION INSTRUCTIONS PROVIDED WITH THE PURCHASED UNITS.

# Next Dimension Pro Series

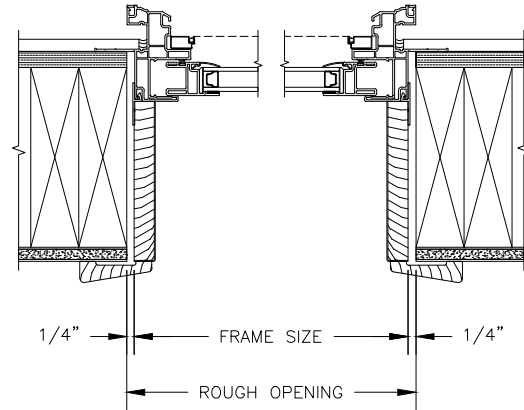
## SINGLE HUNG

SECTION DETAILS : BRICKMOULD FRAME CONSTRUCTION

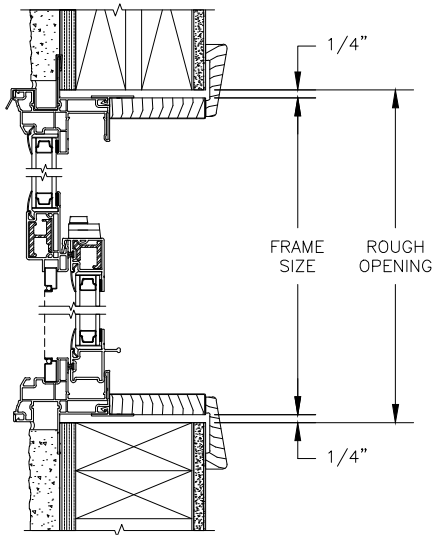
SCALE: 2" = 1'-0"



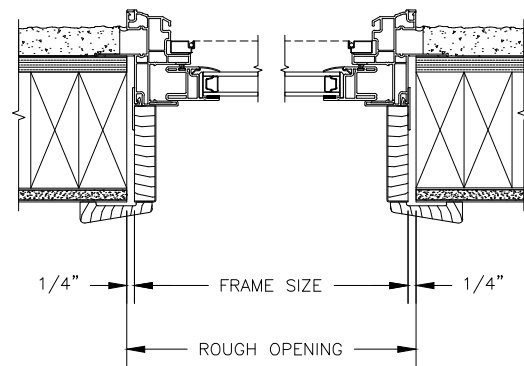
HEAD JAMB & SILL  
2 X 6 FRAME WITH SIDING



JAMBS  
2 X 6 FRAME WITH SIDING



HEAD JAMB & SILL  
2 X 4 FRAME WITH STUCCO



JAMBS  
2 X 4 FRAME WITH STUCCO

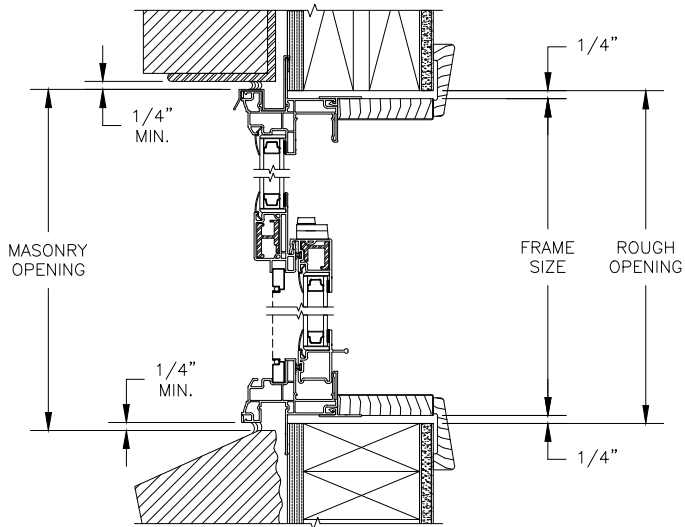
NOTE :  
THE ABOVE WALL SECTIONS REPRESENT TYPICAL WALL CONDITIONS, THESE DETAILS ARE NOT INTENDED AS INSTALLATIONS INSTRUCTIONS. PLEASE REFER TO THE INSTALLATION INSTRUCTIONS PROVIDED WITH THE PURCHASED UNITS.

# Next Dimension Pro Series

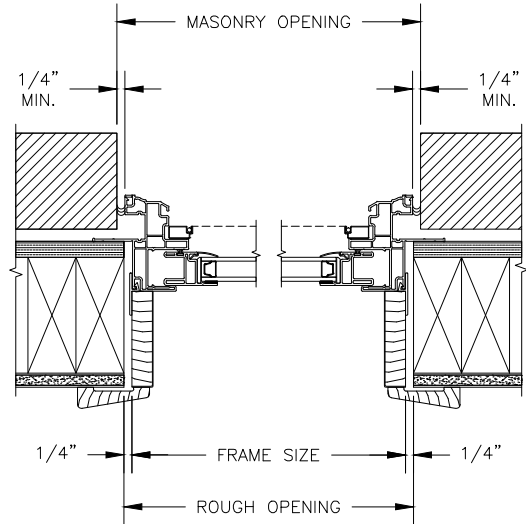
## SINGLE HUNG

SECTION DETAILS : BRICKMOULD FRAME CONSTRUCTION

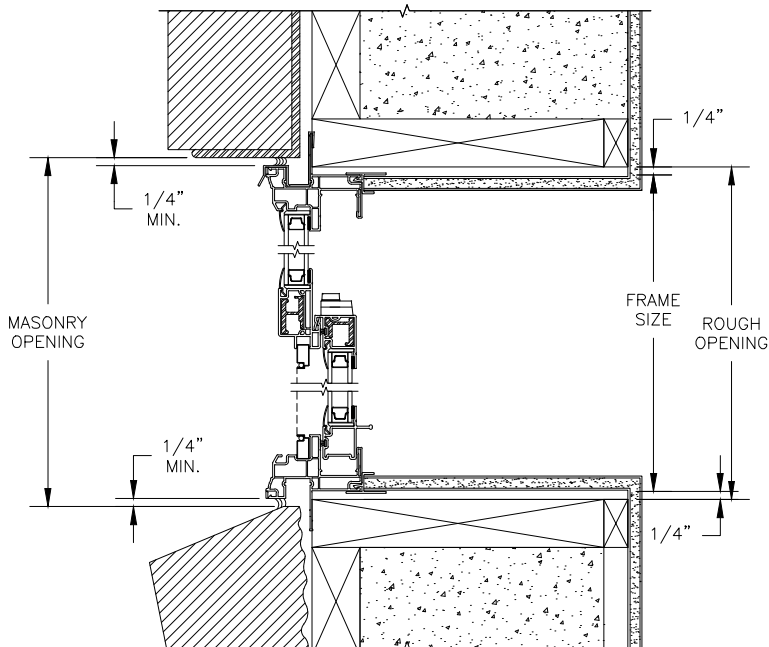
SCALE: 2" = 1'-0"



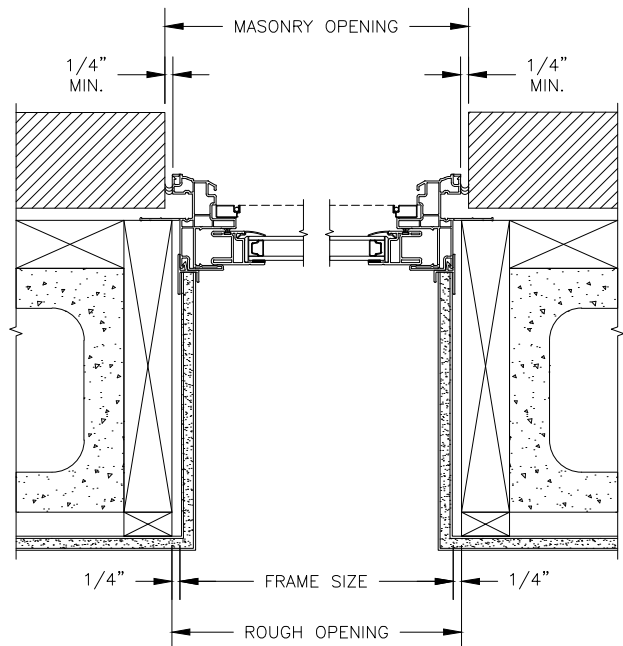
**HEAD JAMB & SILL**  
2 X 4 FRAME WITH BRICK VENEER



**JAMBS**  
2 X 4 FRAME WITH BRICK VENEER



**HEAD JAMB & SILL**  
8" CONCRETE BLOCK WALL  
WITH BRICK VENEER



**JAMBS**  
8" CONCRETE BLOCK WALL  
WITH BRICK VENEER

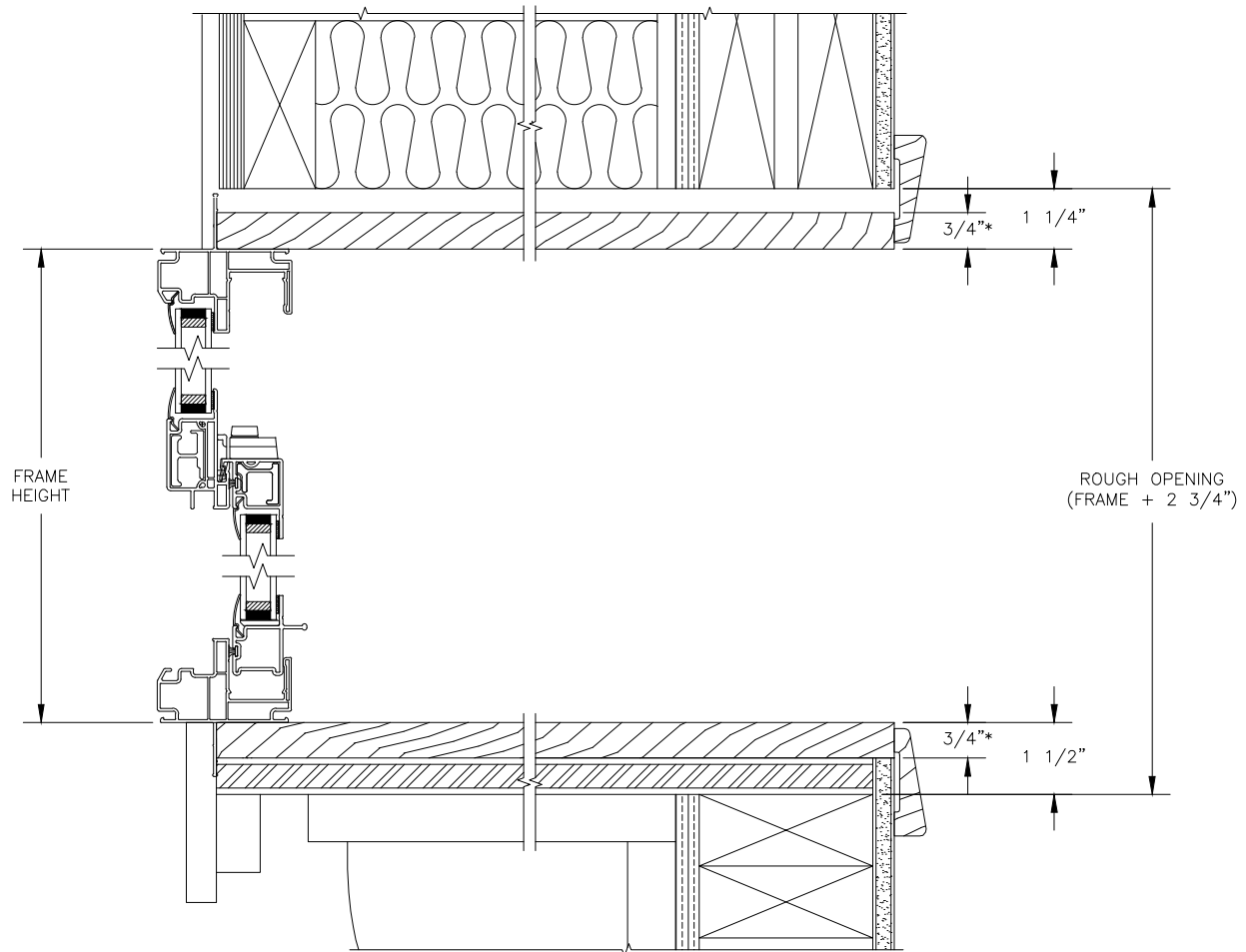
NOTE:  
THE ABOVE WALL SECTIONS REPRESENT TYPICAL WALL CONDITIONS. THESE DETAILS ARE NOT INTENDED AS INSTALLATION INSTRUCTIONS. PLEASE REFER TO THE INSTALLATION INSTRUCTIONS PROVIDED WITH THE PURCHASED UNITS.

# Next Dimension Pro Series

## SINGLE HUNG

### SECTION DETAILS : ANGLE BAY VERTICAL SECTION

SCALE: 3" = 1'-0"



\* 1" FOR PAINT GRADE OPTION  
(ADD 1/2" TO ROUGH OPENING)

#### NOTES:

STANDARD SET-UP UNIT HAS HARDWARE, WEATHERSTRIP, DRIP CAP, SCREENS AND HEAD AND SEAT BOARDS APPLIED. STANDARD JAMB WITH EXTENDER IS 4 9/16". HEAD AND SEAT BOARDS ARE SELECT PINE, EDGE-GLUED, FINGER-JOINTED AND SANDED. 1" FINISHED THICKNESS, OPTIONAL 3/4" VENEERED HEAD AND SEAT BOARDS ARE AVAILABLE IN CLEAR PINE AND OAK.

ROUGH AND MASONRY OPENING HEIGHTS INCLUDE HEAD AND SEAT BOARDS. IF HEAD SEAT BOARDS ARE NOT SPECIFIED, SUBTRACT 3/4" FOR EACH BOARD. CONSTRUCTION MATERIALS SUPPLIED BY OTHERS.

PROJECTION IS DEFINED AS THE DIMENSION FROM THE BACK OF THE NAILING FLANGE TO THE EXTERIOR OF THE WALL SHEATHING.

HEIGHT MEASUREMENTS	
BAY	
HEIGHT	R.O. HEIGHT
48	50 1/4
54	56 1/4
60	62 1/4

#### OPTIONS:

BAY UNITS MUST BE CONFIGURED FROM STANDARD SIZE UNITS. AN ALMOST INFINITE NUMBER OF COMBINATIONS ARE POSSIBLE FROM A WIDE RANGE OF STANDARD UNITS AVAILABLE. ADD TOGETHER CASEMENT WINDOWS OF THE SAME HEIGHT TO CREATE ANY GROUPING DESIRED.

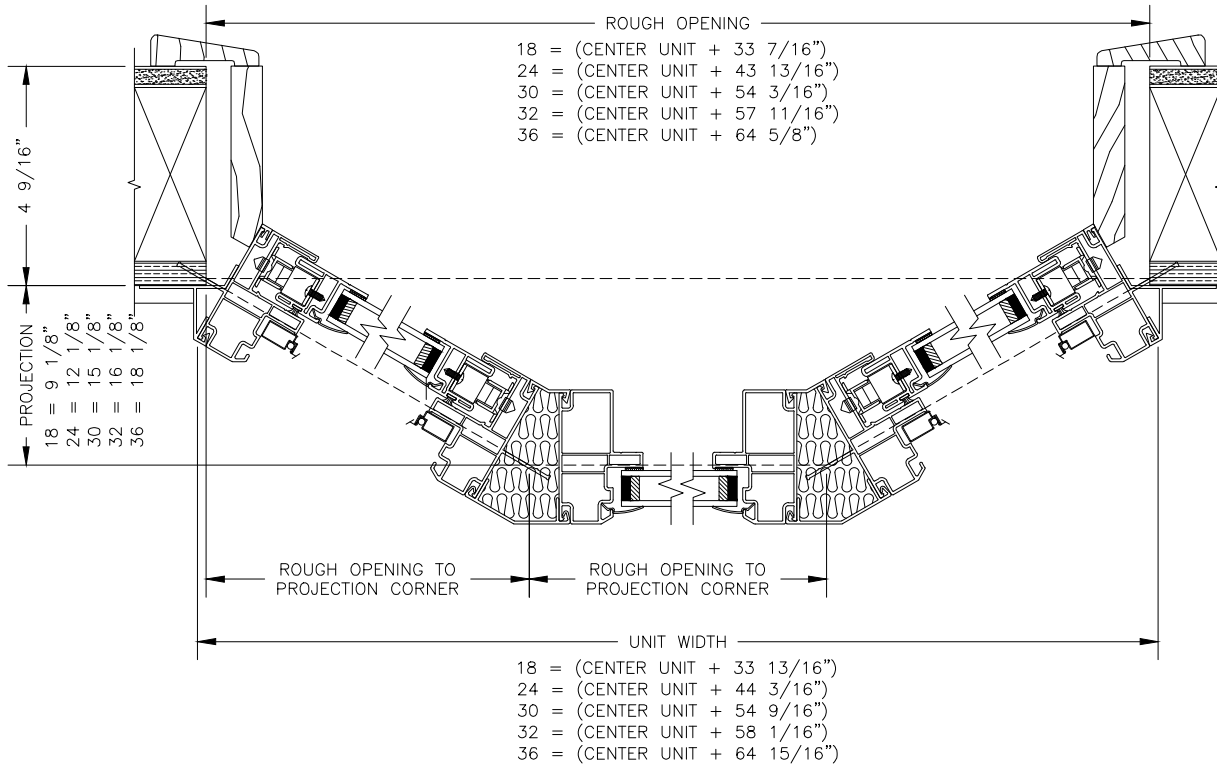


# Next Dimension Pro Series

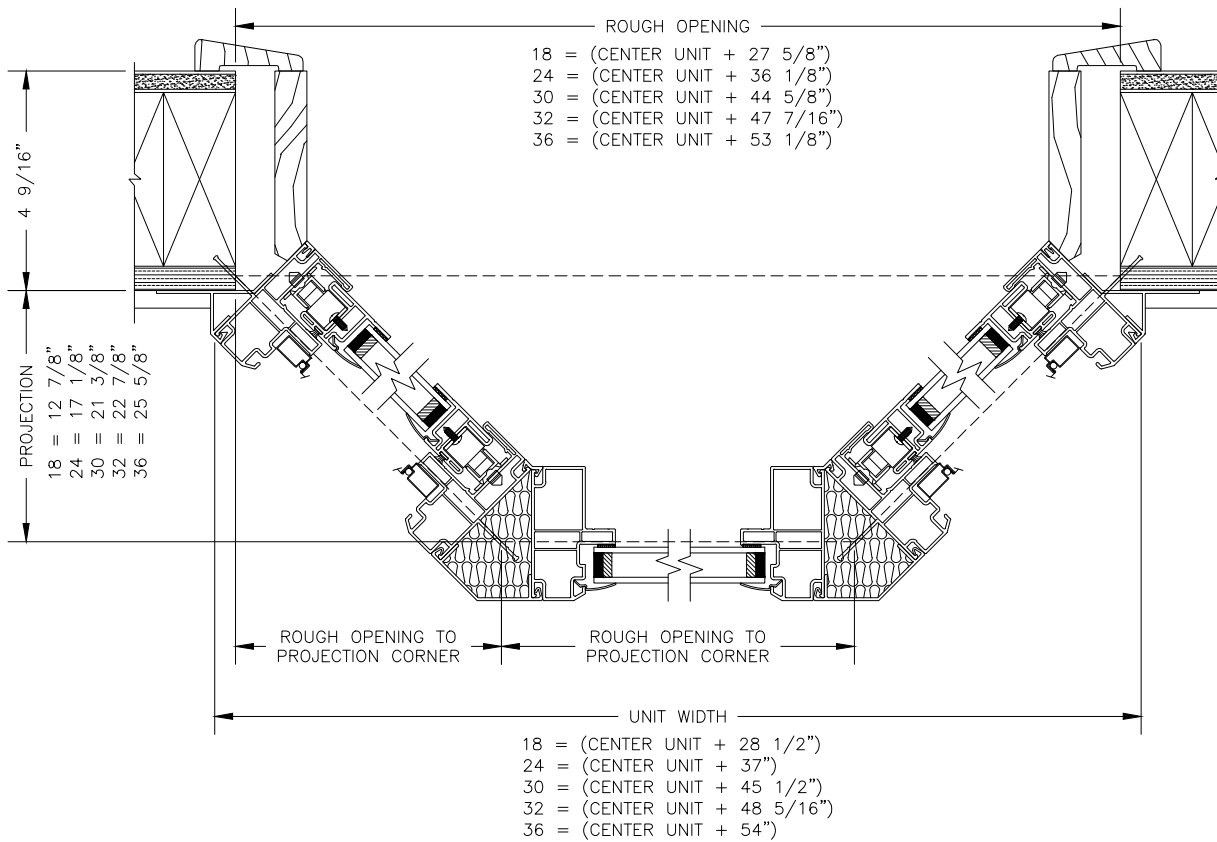
## SINGLE HUNG

### SECTION DETAILS : 30/45 DEGREE ANGLE BAY HORIZONTAL SECTIONS

SCALE: 3" = 1'-0"



30 DEGREE BAY



45 DEGREE BAY