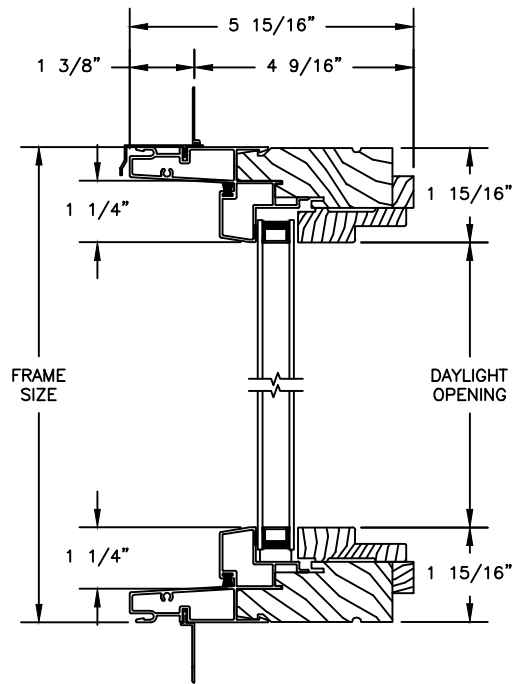


Pinnacle Series

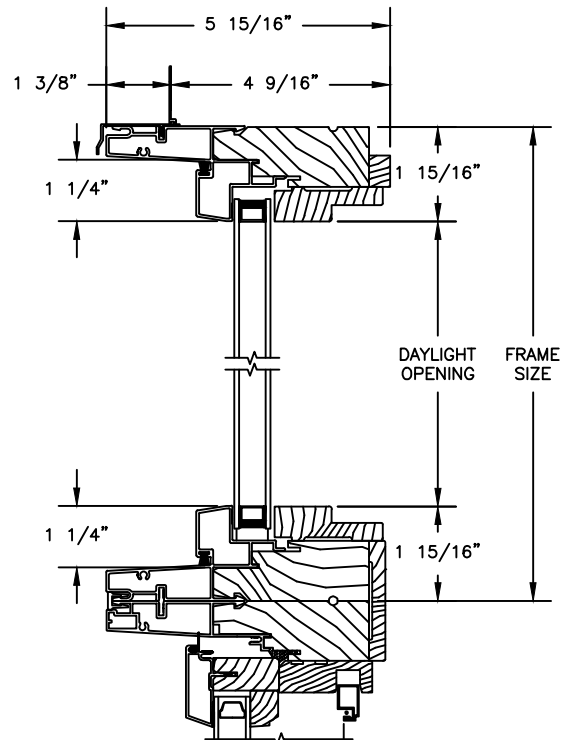
CLAD DIRECT SET

SECTION DETAILS: DIRECT GLAZE

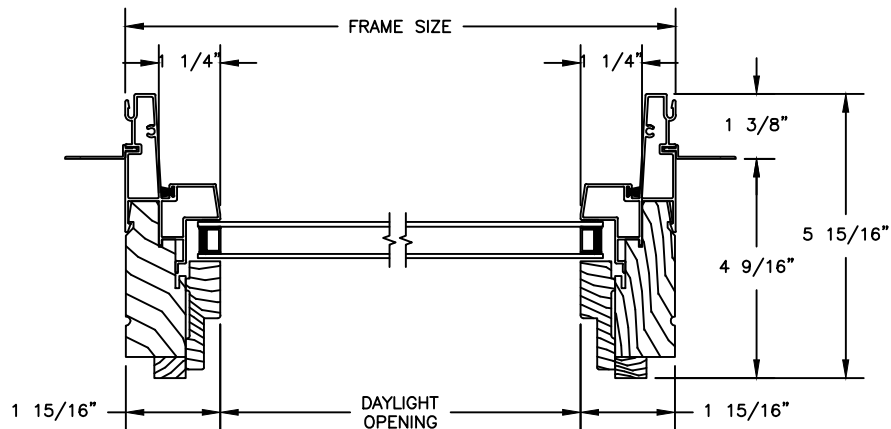
SCALE: 3" = 1'-0"



HEAD JAMB & SILL



TRANSOM
HEAD JAMB & SILL



JAMBS

NOTES:

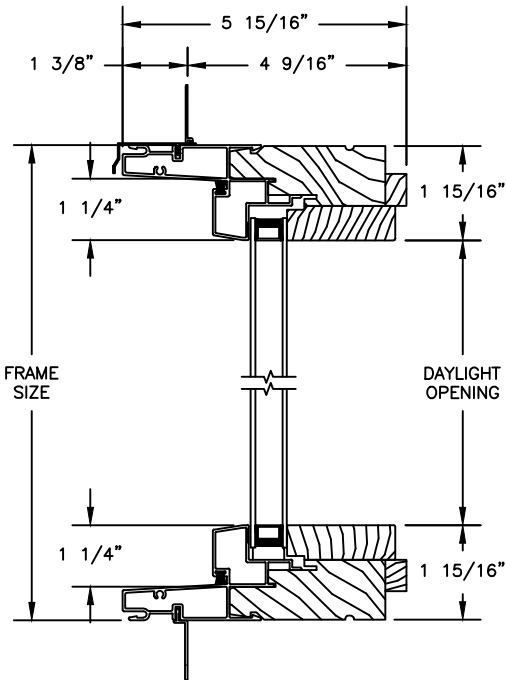
1. FOR RECTANGULAR UNITS, THE RELATIONSHIP BETWEEN GLASS SIZE, FRAME DIMENSION, ROUGH OPENING AND UNIT DIMENSION IS AS SHOWN ABOVE.
2. FOR TRAPEZOID & PENTIOD UNIT, THE RELATIONSHIP BETWEEN GLASS SIZE WIDTH, FRAME DIMENSION WIDTH, ROUGH OPENING WIDTH AND UNIT DIMENSION WIDTH IS AS SHOWN ABOVE.
3. ALL OTHER DIMENSIONAL RELATIONSHIPS, INCLUDING HEIGHTS OF TRAPEZOIDS AND PENTIODS, AND WIDTHS AND HEIGHTS OF TRIANGLES, AND OCTAGONS DEPEND UPON THE INCLUSIVE ANGLES, AND MUST BE CALCULATED SEPARATELY FOR EACH UNIT.

Pinnacle Series

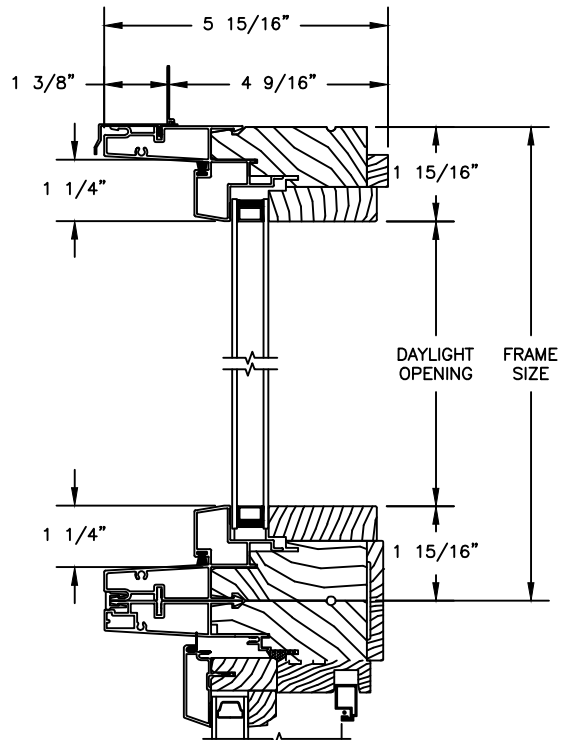
CLAD DIRECT SET

SECTION DETAILS: DIRECT GLAZE WITH CONTEMPORARY STOPS

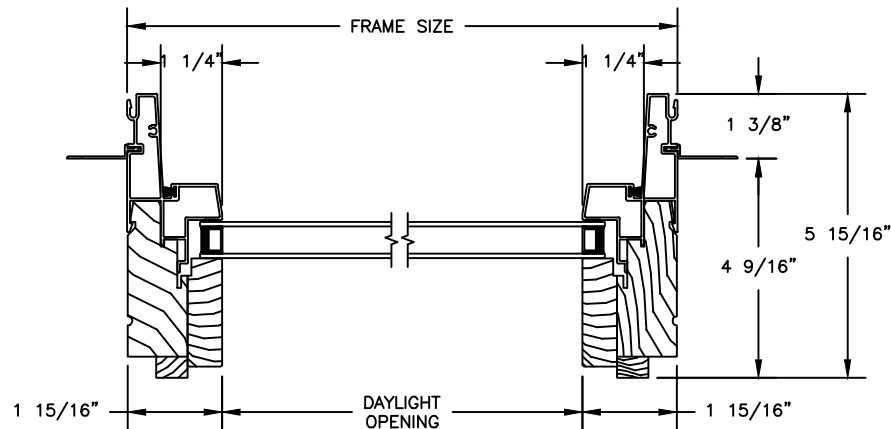
SCALE: 3" = 1'-0"



HEAD JAMB & SILL



TRANSOM
HEAD JAMB & SILL



JAMBS

NOTES:

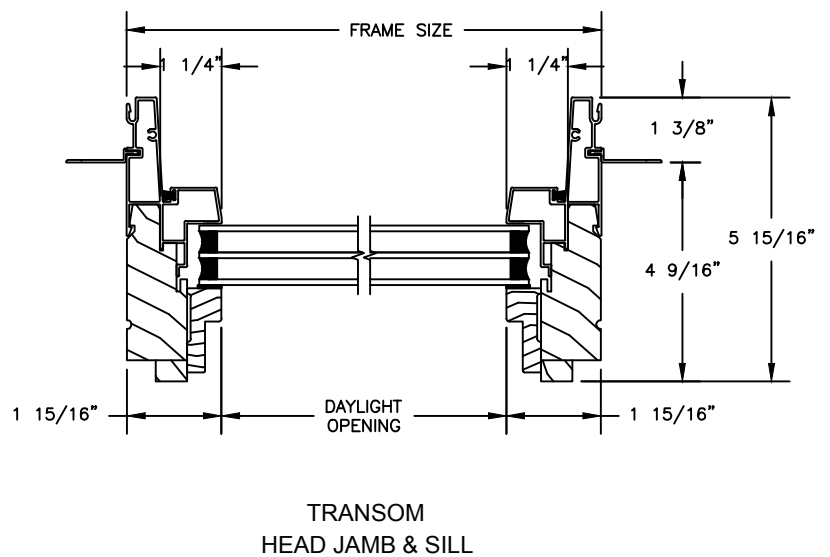
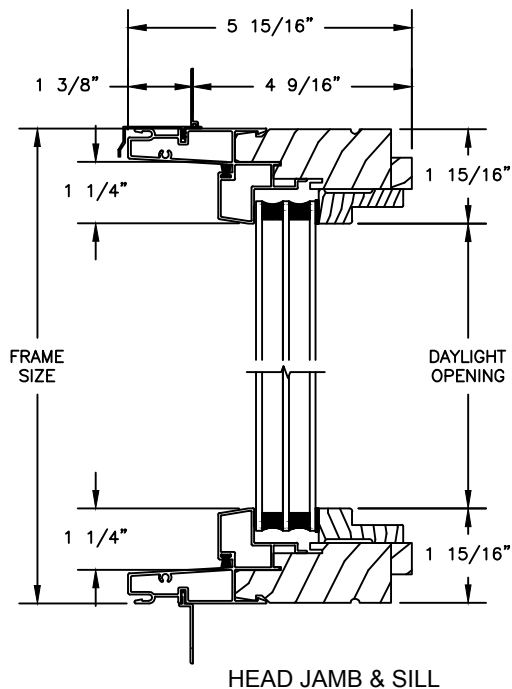
1. FOR RECTANGULAR UNITS, THE RELATIONSHIP BETWEEN GLASS SIZE, FRAME DIMENSION, ROUGH OPENING AND UNIT DIMENSION IS AS SHOWN ABOVE.
2. FOR TRAPEZOID & PENTIOD UNIT, THE RELATIONSHIP BETWEEN GLASS SIZE WIDTH, FRAME DIMENSION WIDTH, ROUGH OPENING WIDTH AND UNIT DIMENSION WIDTH IS AS SHOWN ABOVE.
3. ALL OTHER DIMENSIONAL RELATIONSHIPS, INCLUDING HEIGHTS OF TRAPEZOIDS AND PENTIODS, AND WIDTHS AND HEIGHTS OF TRIANGLES, AND OCTAGONS DEPEND UPON THE INCLUSIVE ANGLES, AND MUST BE CALCULATED SEPARATELY FOR EACH UNIT.

Pinnacle Series

CLAD DIRECT SET

SECTION DETAILS: 1 1/4" TRIPLE IG DIRECT GLAZE

SCALE: 3" = 1'-0"



NOTES:

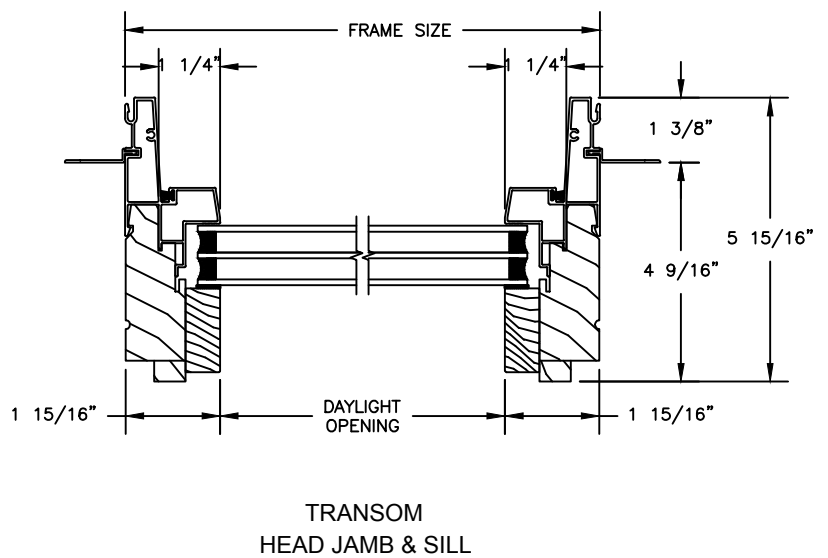
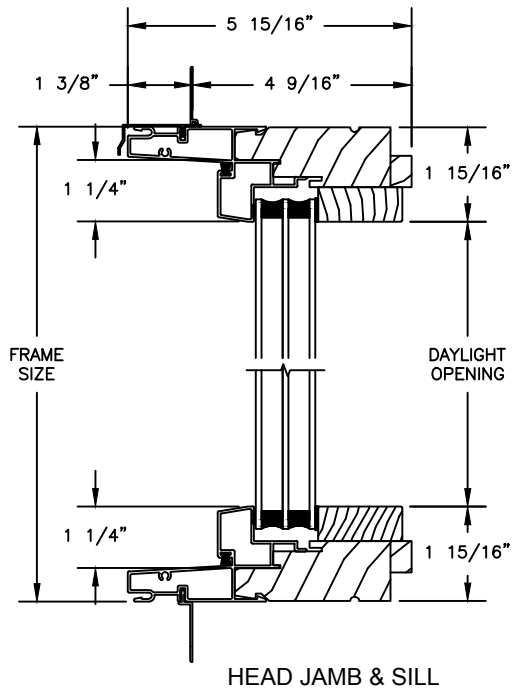
1. FOR RECTANGULAR UNITS, THE RELATIONSHIP BETWEEN GLASS SIZE, FRAME DIMENSION, ROUGH OPENING AND UNIT DIMENSION IS AS SHOWN ABOVE.
2. FOR TRAPEZOID & PENTIOD UNIT, THE RELATIONSHIP BETWEEN GLASS SIZE WIDTH, FRAME DIMENSION WIDTH, ROUGH OPENING WIDTH AND UNIT DIMENSION WIDTH IS AS SHOWN ABOVE.
3. ALL OTHER DIMENSIONAL RELATIONSHIPS, INCLUDING HEIGHTS OF TRAPEZOID AND PENTOID, AND WIDTHS AND HEIGHTS OF TRIANGLES, AND OCTAGONS DEPEND UPON THE INCLUSIVE ANGLES, AND MUST BE CALCULATED SEPARATELY FOR EACH UNIT.

Pinnacle Series

CLAD DIRECT SET

SECTION DETAILS: 1 1/4" TRIPLE IG DIRECT GLAZE WITH CONTEMPORARY STOPS

SCALE: 3" = 1'-0"



NOTES:

1. FOR RECTANGULAR UNITS, THE RELATIONSHIP BETWEEN GLASS SIZE, FRAME DIMENSION, ROUGH OPENING AND UNIT DIMENSION IS AS SHOWN ABOVE.
2. FOR TRAPEZOID & PENTIOD UNIT, THE RELATIONSHIP BETWEEN GLASS SIZE WIDTH, FRAME DIMENSION WIDTH, ROUGH OPENING WIDTH AND UNIT DIMENSION WIDTH IS AS SHOWN ABOVE.
3. ALL OTHER DIMENSIONAL RELATIONSHIPS, INCLUDING HEIGHTS OF TRAPEZOID AND PENTIODS, AND WIDTHS AND HEIGHTS OF TRIANGLES, AND OCTAGONS DEPEND UPON THE INCLUSIVE ANGLES, AND MUST BE CALCULATED SEPARATELY FOR EACH UNIT.

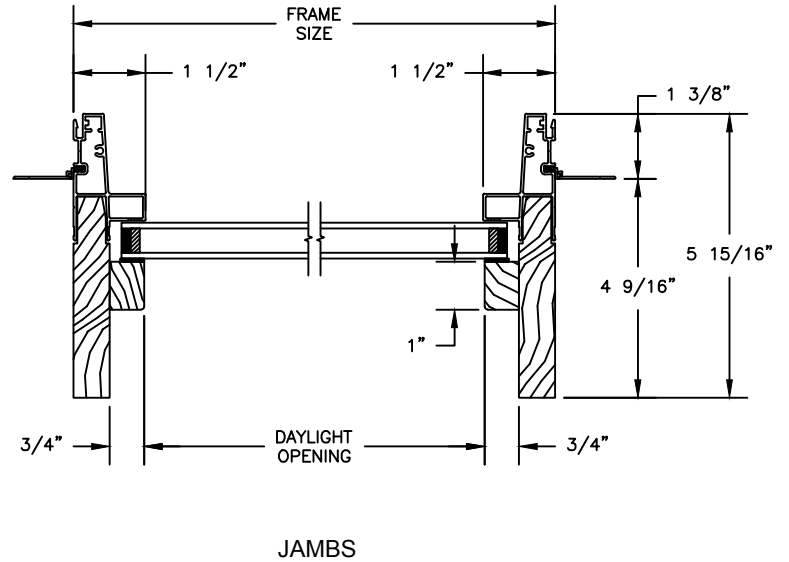
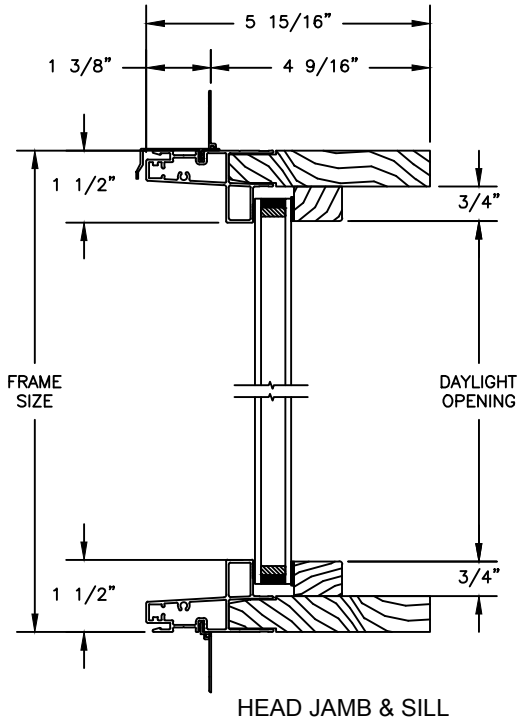
Pinnacle Series

CLAD DIRECT SET

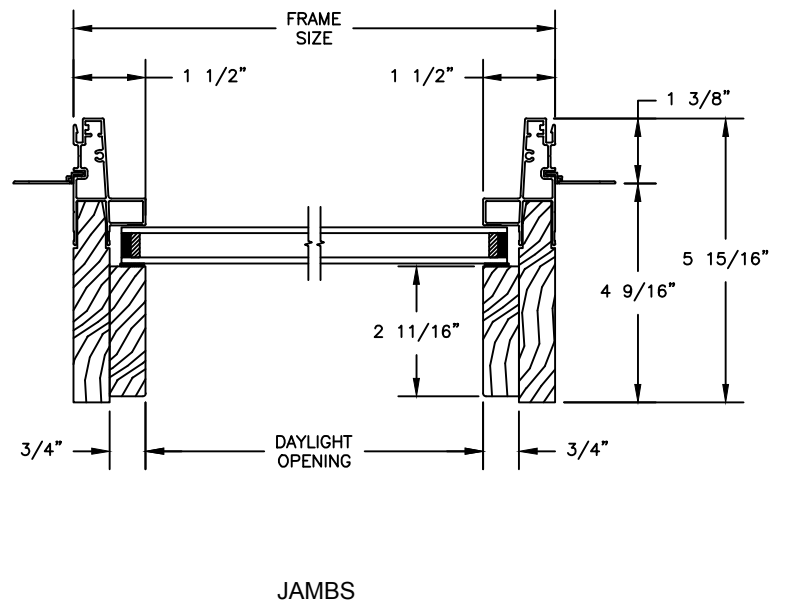
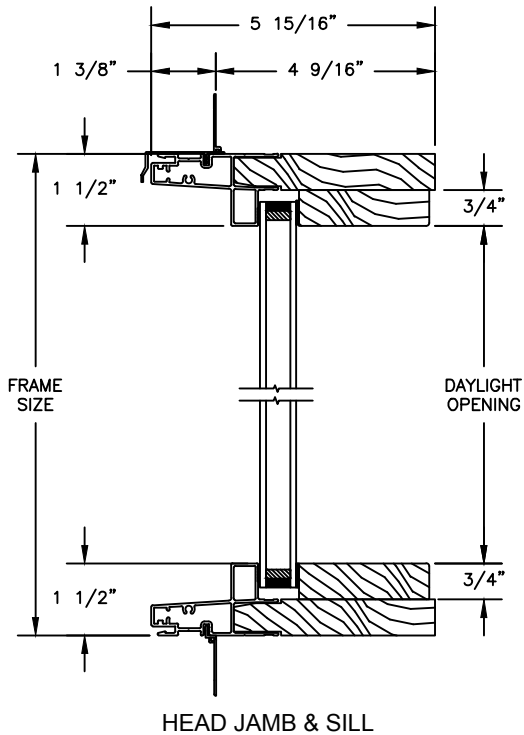
SECTION DETAILS: DIRECT GLAZE LOW PROFILE (RADIUS FRAME)

SCALE: 3" = 1'-0"

TRADITIONAL INSIDE STOP



CONTEMPORARY INSIDE STOP



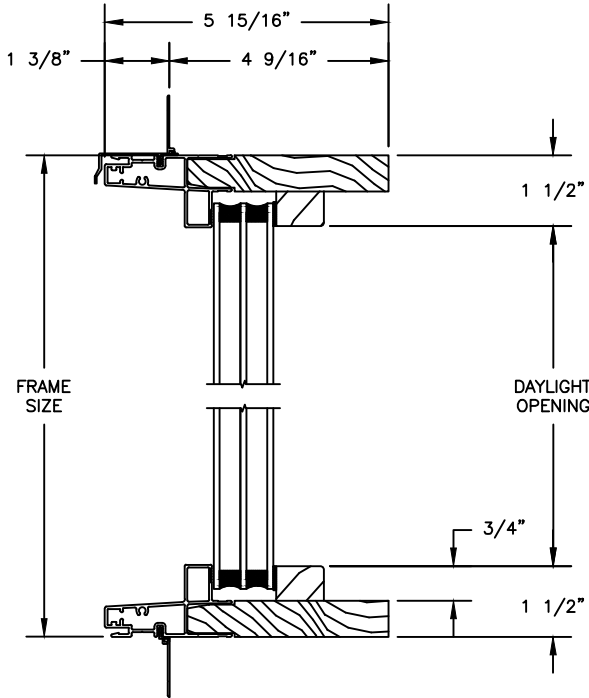
Pinnacle Series

CLAD DIRECT SET

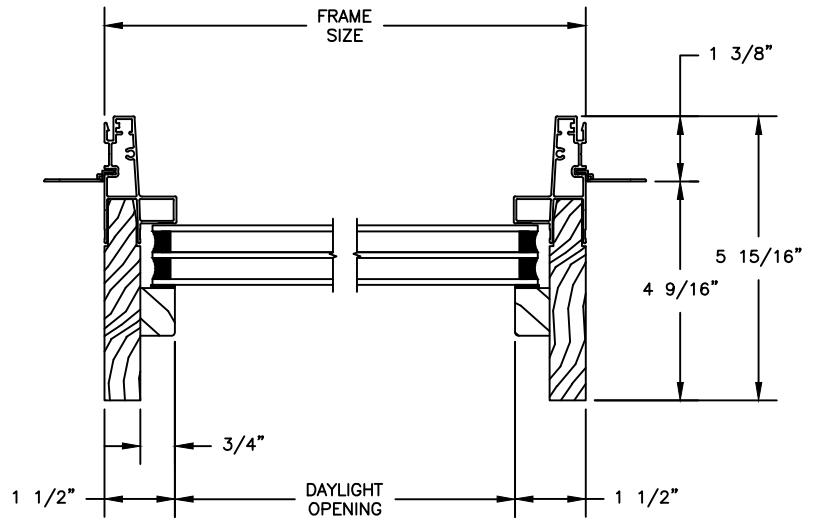
SECTION DETAILS: 1 1/4" TRIPLE IG LOW PROFILE (RADIUS FRAME)

SCALE: 3" = 1'-0"

TRADITIONAL INSIDE STOP

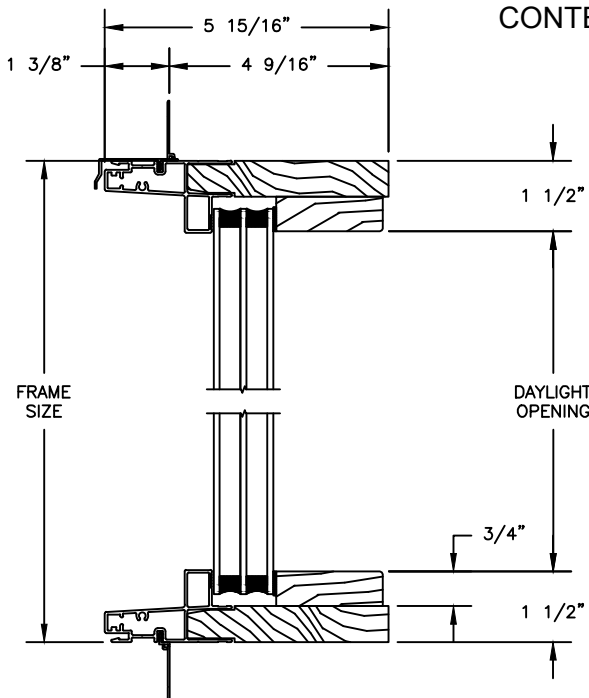


HEAD JAMB & SILL

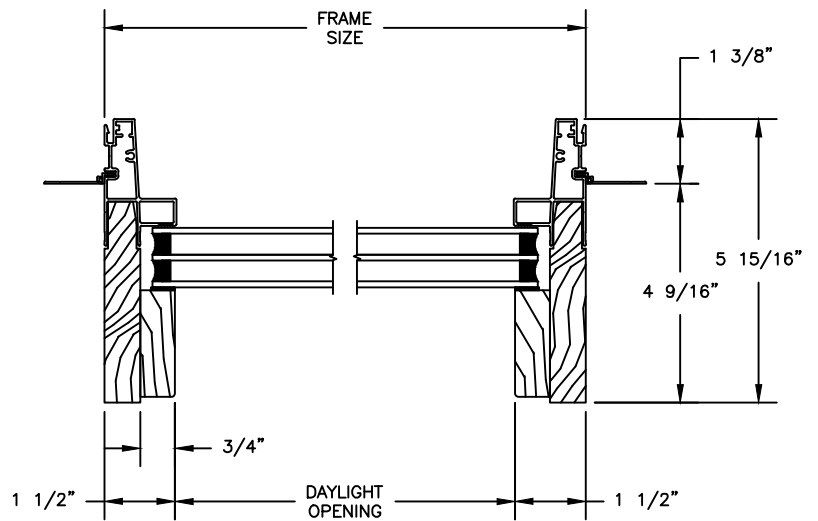


JAMBS

CONTEMPORARY INSIDE STOP



HEAD JAMB & SILL



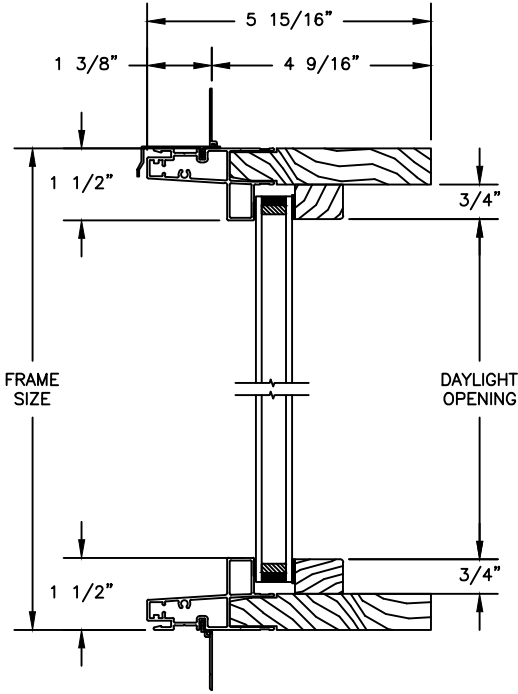
JAMBS

Pinnacle Series

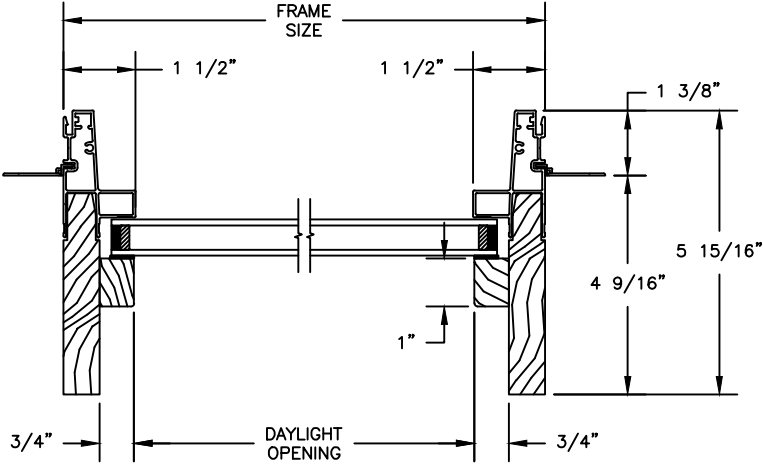
CLAD DIRECT SET

SECTION DETAILS: (RADIUS FRAME) NAIL FIN & DRIP CAP OPTION

SCALE: 3" = 1'-0"



HEAD JAMB & SILL



JAMBS

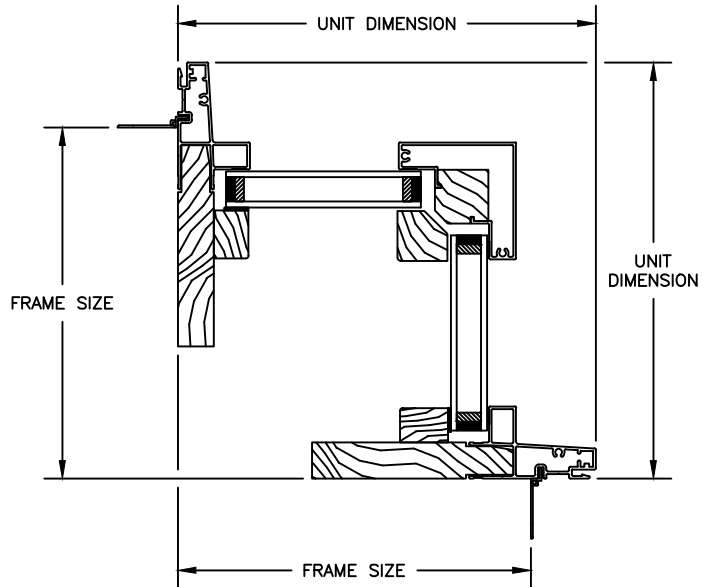
Pinnacle Series

CLAD DIRECT SET

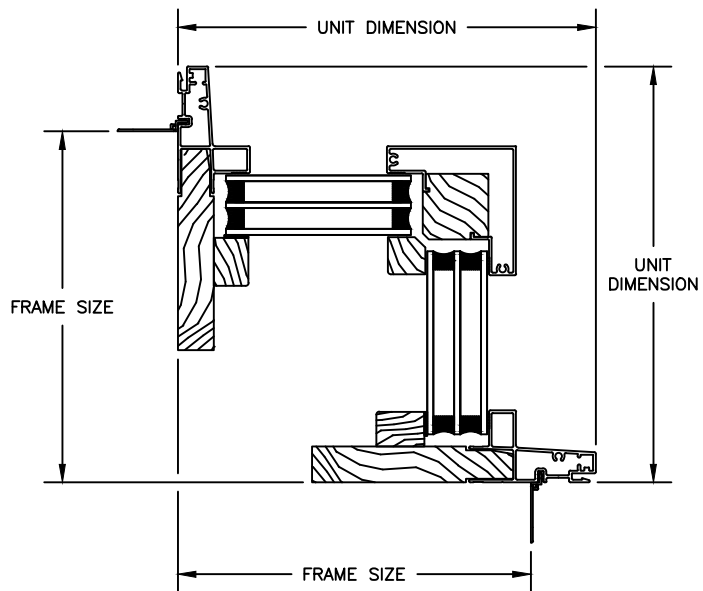
SECTION DETAILS: LOW PROFILE CORNER WINDOW (RADIUS FRAME)

SCALE: 3" = 1'-0"

3/4" IG



1 1/4" TRIPLE IG

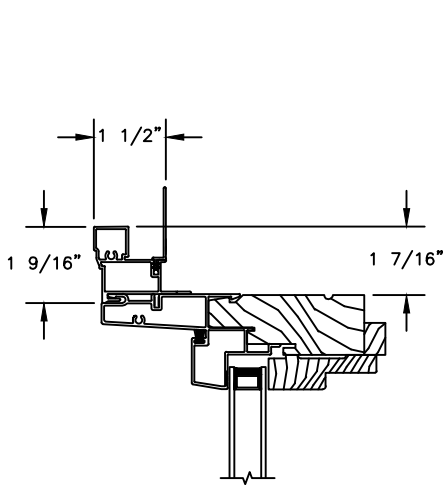


Pinnacle Series

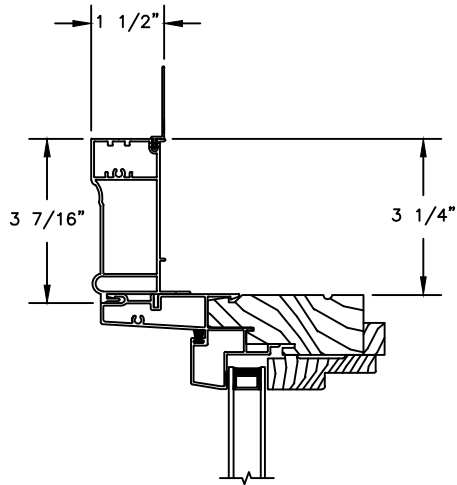
CLAD DIRECT SET

SECTION DETAILS : CASING OPTIONS

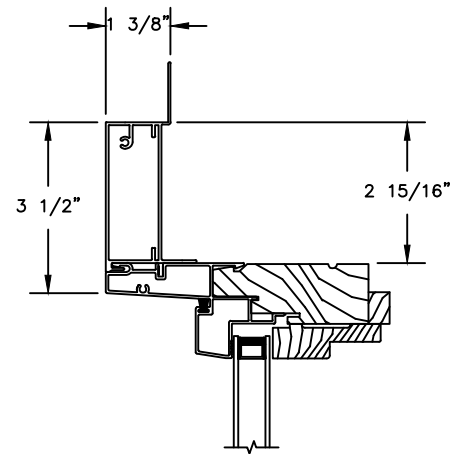
SCALE: 3" = 1'-0"



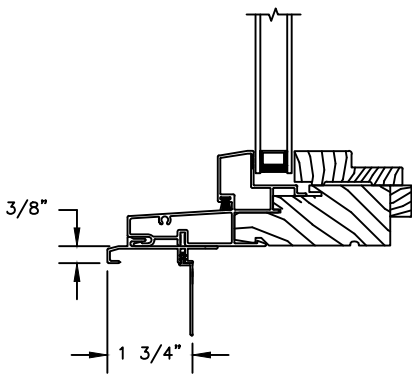
HEAD JAMB WITH
CLAD BRICKMOULD CASING



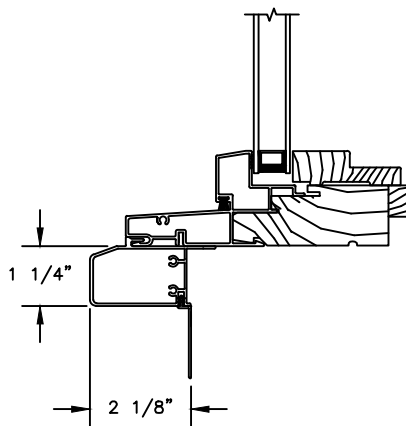
HEAD JAMB WITH
CLAD WILLIAMSBURG CASING



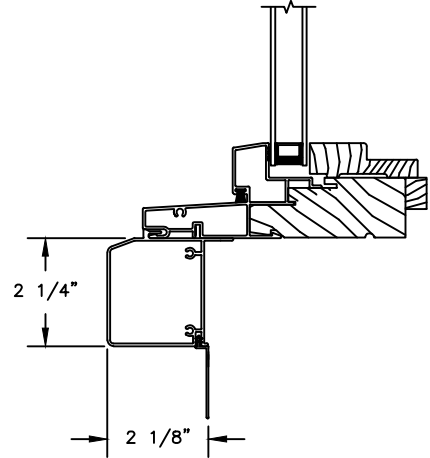
HEAD JAMB WITH
3 1/2" CLAD FLAT CASING



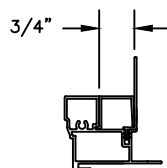
SILL WITH
3/8" CLAD SUBSILL



SILL WITH
1 1/4" CLAD SUBSILL



SILL WITH
2 1/4" CLAD SUBSILL



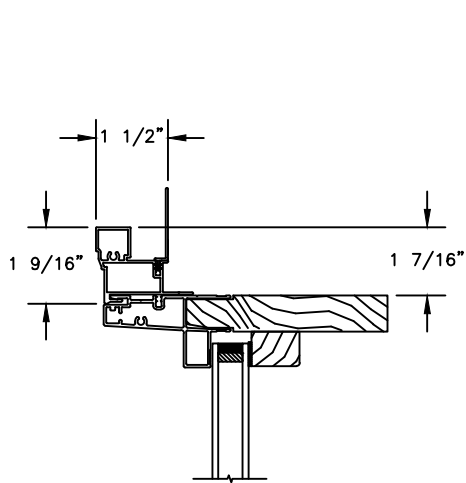
CLAD BRICKMOULD CASING
WITH OPTIONAL J-CHANNEL COVER

Pinnacle Series

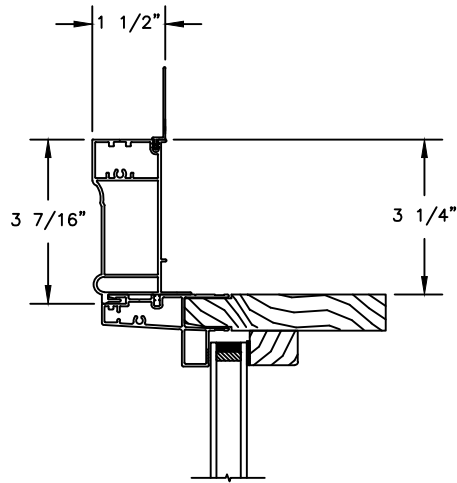
CLAD DIRECT SET

SECTION DETAILS : LOW PROFILE CASING OPTIONS

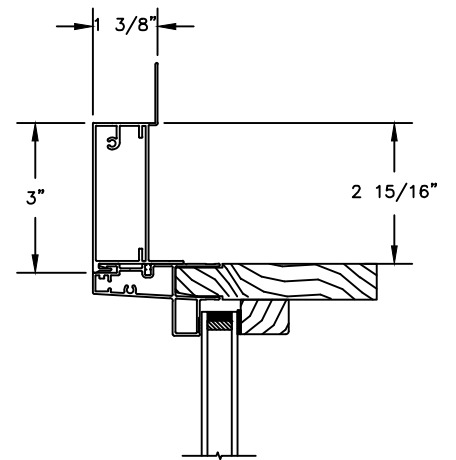
SCALE: 3" = 1'-0"



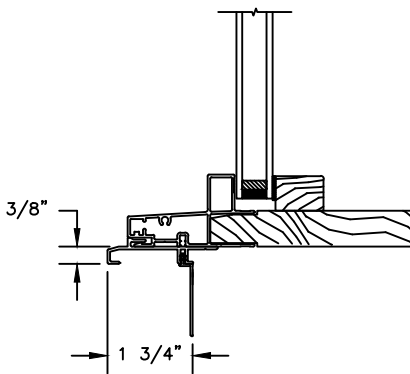
HEAD JAMB WITH
CLAD BRICKMOULD CASING



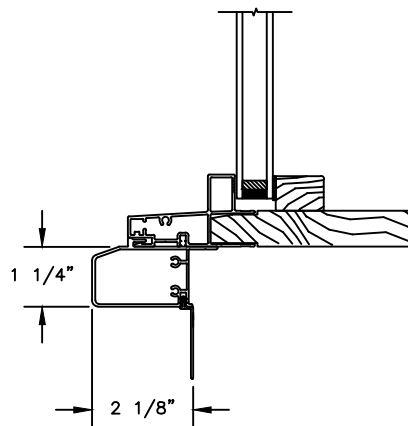
HEAD JAMB WITH
CLAD WILLIAMSBURG CASING



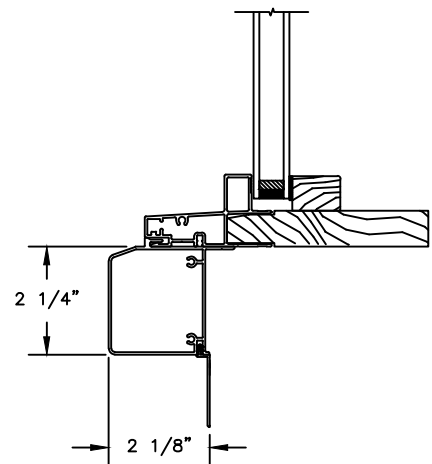
HEAD JAMB WITH
3 1/2" CLAD FLAT CASING



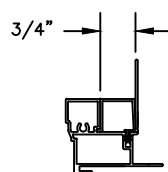
SILL WITH
3/8" CLAD SUBSILL



SILL WITH
1 1/4" CLAD SUBSILL



SILL WITH
2 1/4" CLAD SUBSILL



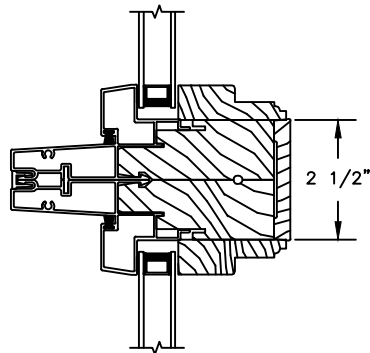
CLAD BRICKMOULD CASING
WITH OPTIONAL J-CHANNEL COVER

Pinnacle Series

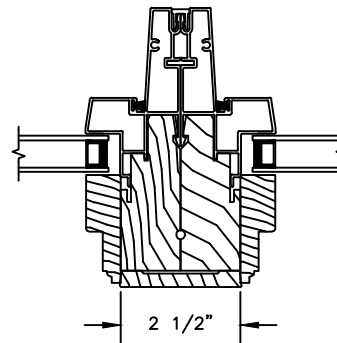
CLAD DIRECT SET

SECTION DETAILS : MULLIONS

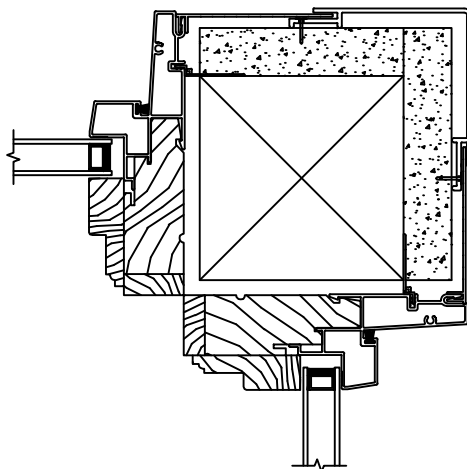
SCALE: 3" = 1'-0"



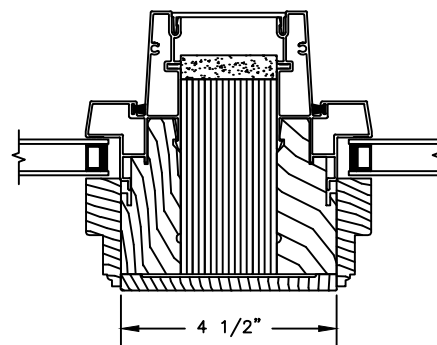
HORIZONTAL MULLION
DIRECT SET/DIRECT SET



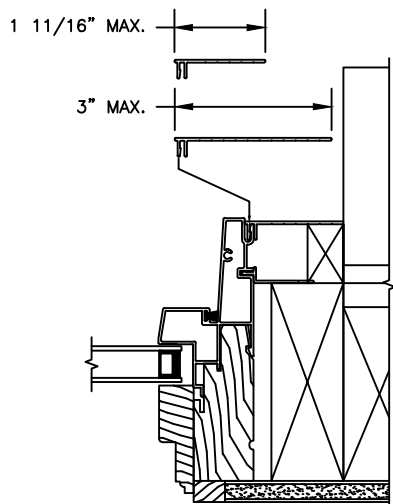
VERTICAL MULLION
DIRECT SET/DIRECT SET



90° MULLION
DIRECT SET/DIRECT SET
(ONLY USED WITH 4 9/16" JAMB & 3 1/4"
FRAME EXPANDER)



VERTICAL MULLION WITH
2" SPREAD MULL
ADDITIONAL WIDTHS INCLUDE:
1", 2", 2 1/2", 3", & 4"



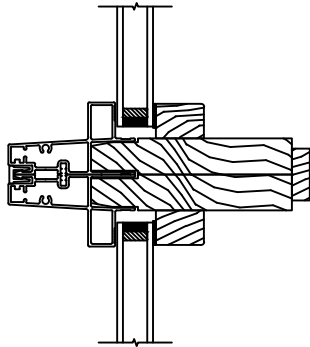
NOTE:
FOR INFORMATION ON STRUCTURAL MULLIONS REFER TO
THE PRODUCT PERFORMANCE AND INFORMATION SECTION.

Pinnacle Series

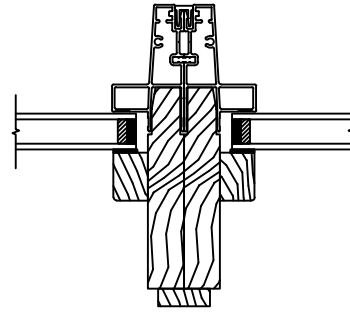
CLAD DIRECT SET

SECTION DETAILS : LOW PROFILE MULLIONS

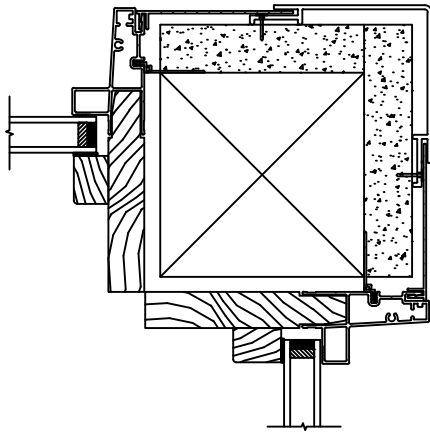
SCALE: 3" = 1'-0"



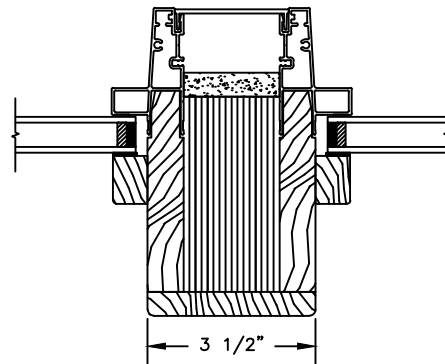
HORIZONTAL MULLION
DIRECT SET/DIRECT SET



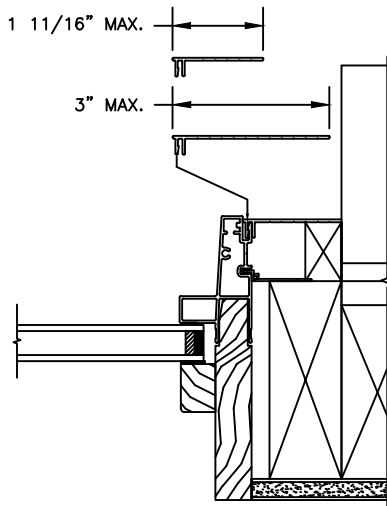
VERTICAL MULLION
DIRECT SET/DIRECT SET



90° MULLION
DIRECT SET/DIRECT SET
(ONLY USED WITH 4 9/16" JAMB & 3 1/4"
FRAME EXPANDER)



VERTICAL MULLION WITH
2" SPREAD MULL
ADDITIONAL WIDTHS INCLUDE:
1", 2", 2 1/2", 3", & 4"



NOTE :
FOR INFORMATION ON STRUCTURAL MULLIONS REFER TO
THE PRODUCT PERFORMANCE AND INFORMATION SECTION.

Pinnacle Series

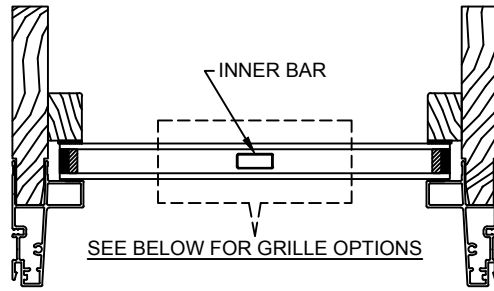
CLAD DIRECT SET

SECTION DETAILS : LOW PROFILE DIVIDED LITE OPTIONS
 SCALE: 3" = 1'-0"

AVAILABLE STYLES

-  - PUTTY
-  - TALL PUTTY*
-  - OGEE
-  - CONTEMPORARY
-  - TALL CONTEMPORARY*

*CLAD EXTERIOR BAR ONLY



	5/8" WDL WITH INNER BAR	7/8" WDL WITH INNERBAR	1 1/4" WDL WITH INNERBAR	2" WDL WITH INNERBAR
STANDARD INSULATING GLASS				
13/16" INNERGRILLE				
3/4" PROFILED INNERGRILLE				
1" PROFILED INNERGRILLE				
7/8" STICK GRILLE				
1 1/4" STICK GRILLE				

NOTE:
 * ALL WDL OPTIONS CAN BE ORDERED WITH OR WITHOUT INNER BAR

Pinnacle Series

CLAD DIRECT SET

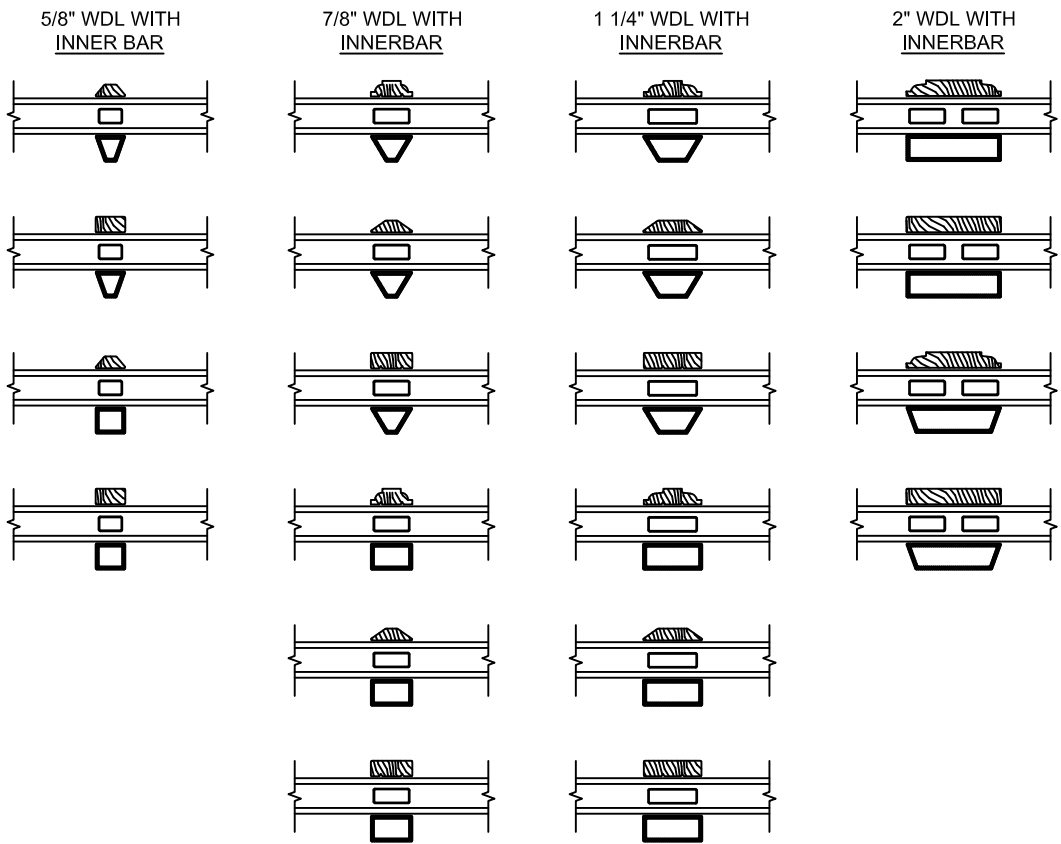
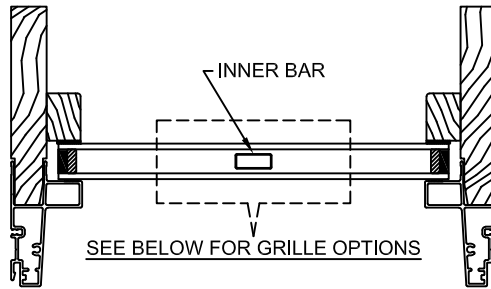
SECTION DETAILS : LOW PROFILE DIVIDED LITE OPTIONS

SCALE: 3" = 1'-0"

AVAILABLE STYLES

-  - PUTTY
-  - TALL PUTTY*
-  - OGEE
-  - CONTEMPORARY
-  - TALL CONTEMPORARY*

*CLAD EXTERIOR BAR ONLY



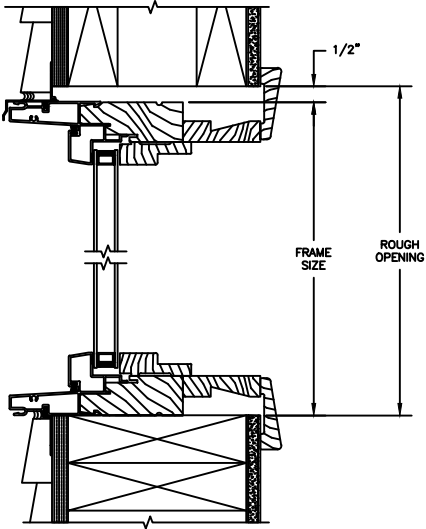
NOTE:

* ALL WDL OPTIONS CAN BE ORDERED WITH OR WITHOUT INNER BAR

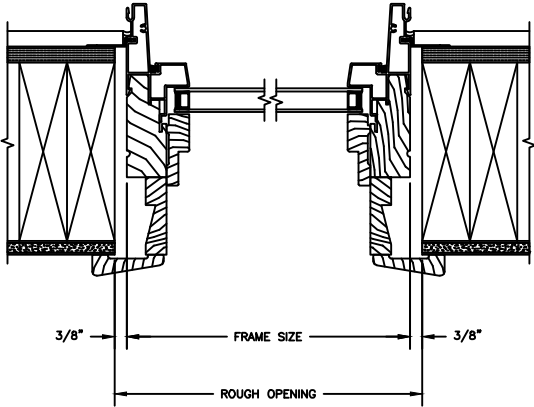
Pinnacle Series

CLAD DIRECT SET

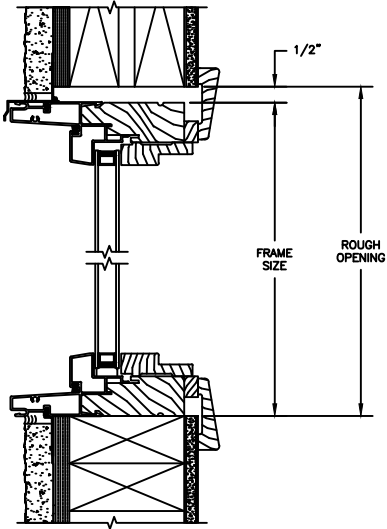
SECTION DETAILS : CONSTRUCTION
 SCALE: 2" = 1'-0"



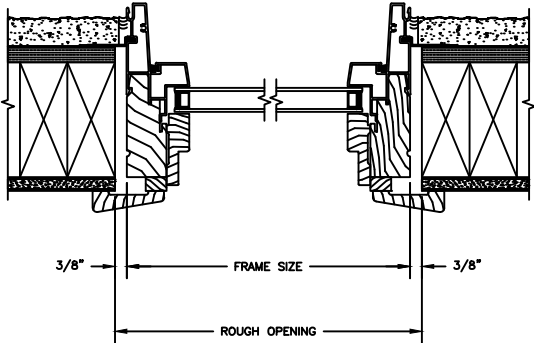
HEAD JAMB & SILL
 2 X 6 FRAME WITH SIDING



HEAD JAMB & SILL
 2 X 6 FRAME WITH SIDING



HEAD JAMB & SILL
 2 X 4 FRAME WITH STUCCO



JAMBS
 2 X 4 FRAME WITH STUCCO

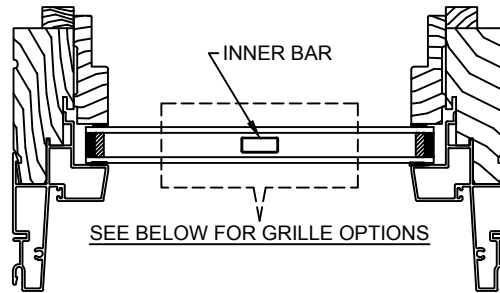
NOTE :
 THE ABOVE WALL SECTIONS REPRESENT TYPICAL WALL CONDITIONS, THESE DETAILS ARE NOT INTENDED AS INSTALLATIONS INSTRUCTIONS. PLEASE REFER TO THE INSTALLATION INSTRUCTIONS PROVIDED WITH THE PURCHASED UNITS.

Pinnacle Series

CLAD DIRECT SET

SECTION DETAILS : INSIDE STOP & DIVIDED LITE OPTIONS

SCALE: 3" = 1'-0"



AVAILABLE STYLES

-  - PUTTY
-  - TALL PUTTY*
-  - OGEE
-  - CONTEMPORARY
-  - TALL CONTEMPORARY*

*CLAD EXTERIOR BAR ONLY

	5/8" WDL WITH INNER BAR	7/8" WDL WITH INNERBAR	1 1/4" WDL WITH INNERBAR	2" WDL WITH INNERBAR
STANDARD INSULATING GLASS				
13/16" INNERGRILLE				
3/4" PROFILED INNERGRILLE				
1" PROFILED INNERGRILLE				
7/8" STICK GRILLE				
1 1/4" STICK GRILLE				

NOTE:

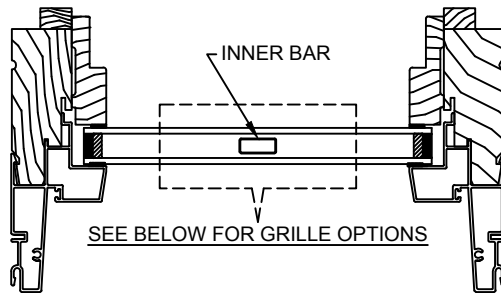
* ALL WDL OPTIONS CAN BE ORDERED WITH OR WITHOUT INNER BAR

Pinnacle Series

CLAD DIRECT SET

SECTION DETAILS : INSIDE STOP & DIVIDED LITE OPTIONS

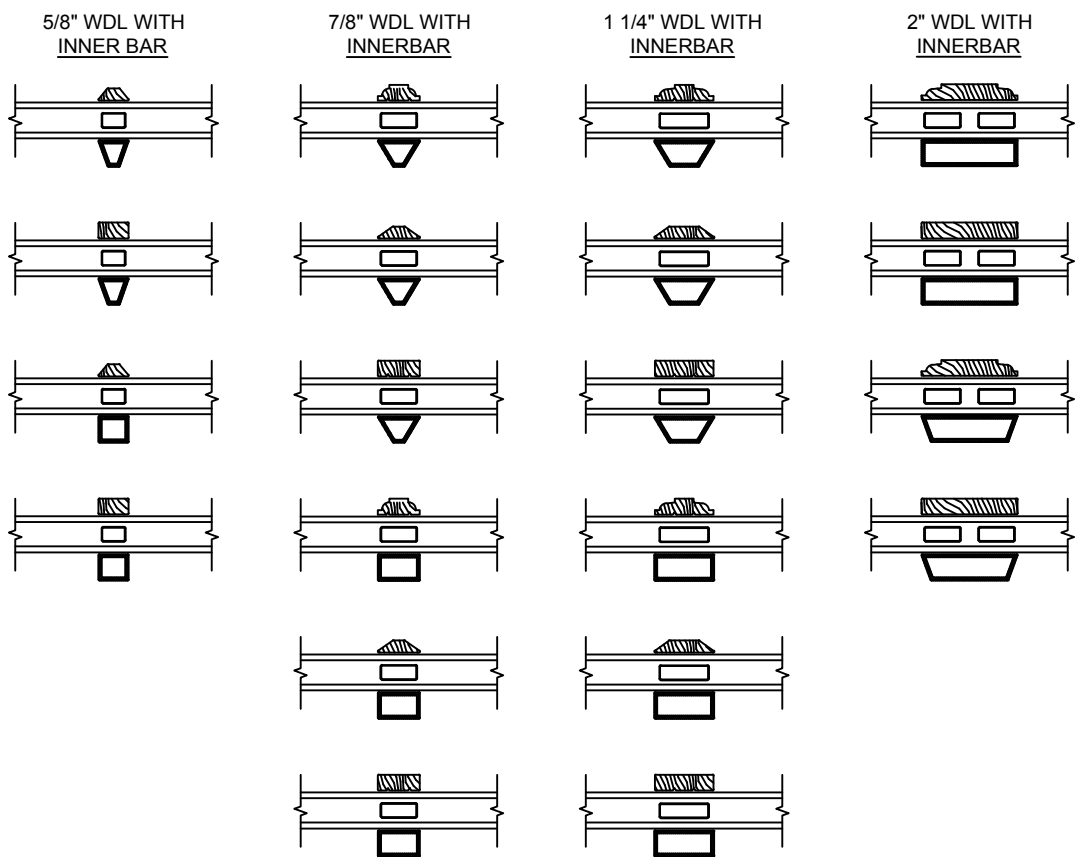
SCALE: 3" = 1'-0"



AVAILABLE STYLES

-  - PUTTY
-  - TALL PUTTY*
-  - OGEE
-  - CONTEMPORARY
-  - TALL CONTEMPORARY*

*CLAD EXTERIOR BAR ONLY



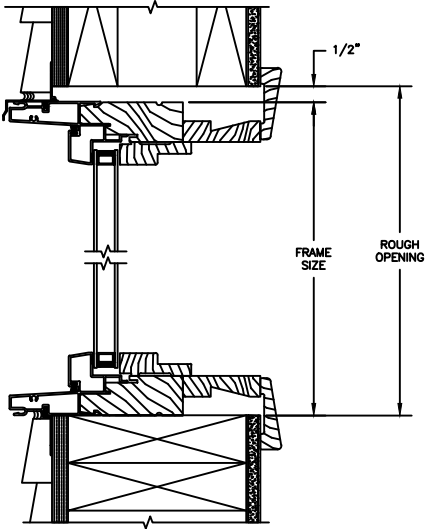
NOTE:

* ALL WDL OPTIONS CAN BE ORDERED WITH OR WITHOUT INNER BAR

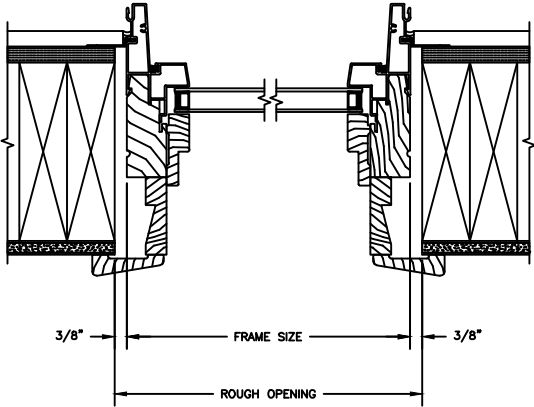
Pinnacle Series

CLAD DIRECT SET

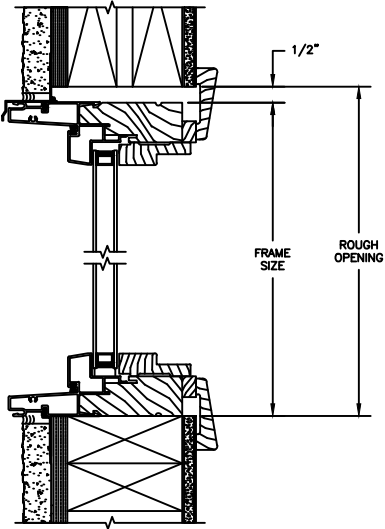
SECTION DETAILS : CONSTRUCTION
 SCALE: 2" = 1'-0"



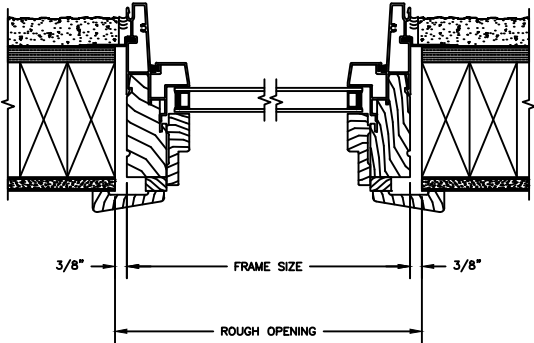
HEAD JAMB & SILL
 2 X 6 FRAME WITH SIDING



HEAD JAMB & SILL
 2 X 6 FRAME WITH SIDING



HEAD JAMB & SILL
 2 X 4 FRAME WITH STUCCO



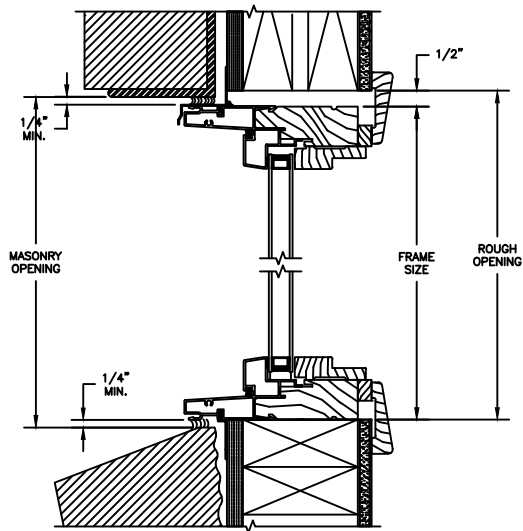
JAMBS
 2 X 4 FRAME WITH STUCCO

NOTE :
 THE ABOVE WALL SECTIONS REPRESENT TYPICAL WALL CONDITIONS, THESE DETAILS ARE NOT INTENDED AS INSTALLATIONS INSTRUCTIONS. PLEASE REFER TO THE INSTALLATION INSTRUCTIONS PROVIDED WITH THE PURCHASED UNITS.

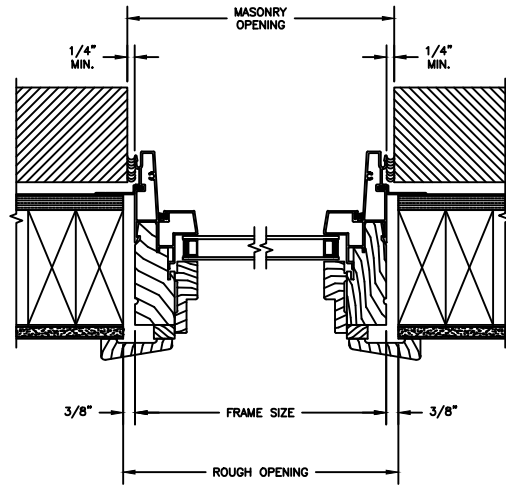
Pinnacle Series

CLAD DIRECT SET

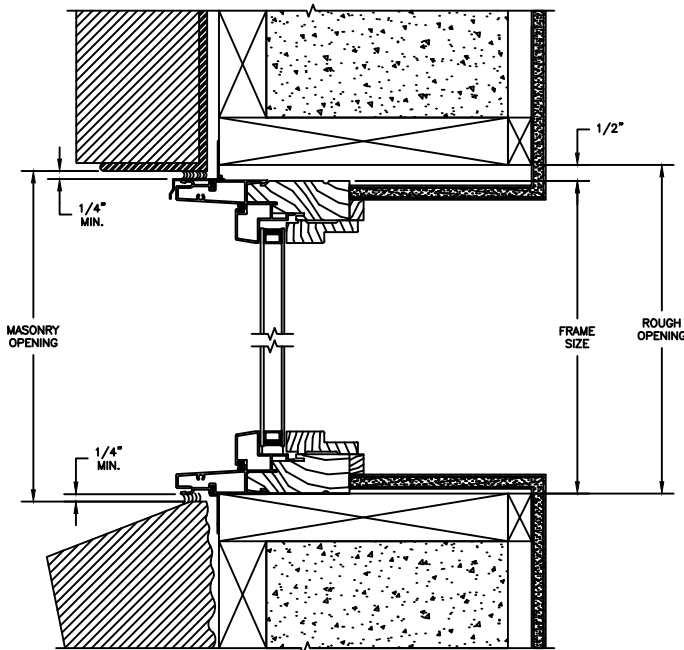
SECTION DETAILS : CONSTRUCTION
 SCALE: 2" = 1'-0"



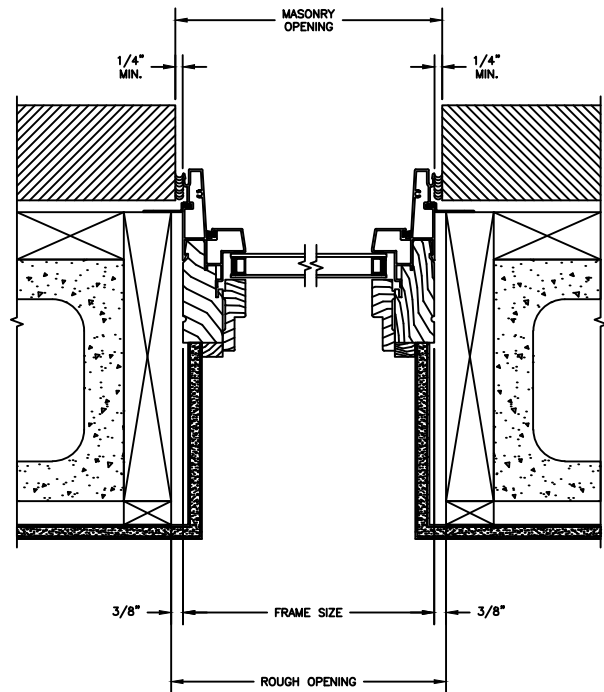
HEAD JAMB & SILL
 2 X 4 FRAME WITH BRICK VENEER



JAMBS
 2 X 4 FRAME WITH BRICK VENEER



HEAD JAMB & SILL
 8" CONCRETE BLOCK WALL
 WITH BRICK VENEER



JAMBS
 8" CONCRETE BLOCK WALL
 WITH BRICK VENEER

Pinnacle Series

CLAD DIRECT SET

SECTION DETAILS : CORNER WINDOW CONSTRUCTION

SCALE: 2" = 1'-0"

2 X 4 FRAME WITH SIDING

