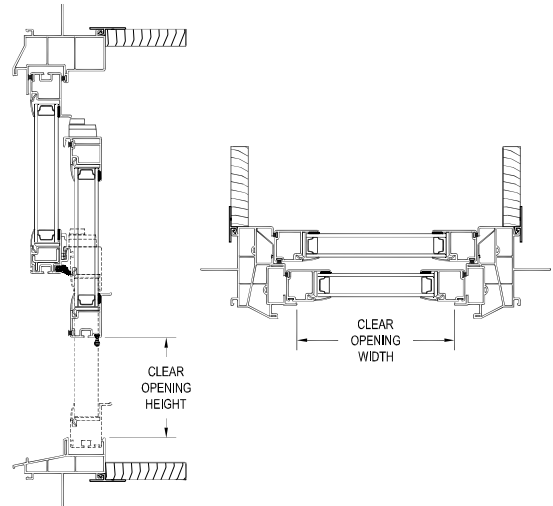


Next Dimension Signature Series

DOUBLE HUNG

EGRESS, LITE & SCREEN MEASUREMENTS

Egress, Lite and Vent Measurements									
Double Hung									
Size	Egress Width	Egress Height	Sq. Ft. Egress	Egress Code Compliance*			Sq. Ft. Daylite	Screen Size	
				U.S.		Canada		Width	Height
				5.0 ft ²	5.7 ft ²				
2436	18.618	12.621	1.63	-	-	-	3.10	19 7/8	33
2442	18.618	15.621	2.02	-	-	-	3.78	19 7/8	39
2448	18.618	18.621	2.41	-	-	-	4.47	19 7/8	45
2454	18.618	21.621	2.80	-	-	-	5.16	19 7/8	51
2460	18.618	24.621	3.18	-	-	-	5.85	19 7/8	57
2466	18.618	27.621	3.57	-	-	-	6.53	19 7/8	63
2472	18.618	30.621	3.96	-	-	Y	7.22	19 7/8	69
3036	24.618	12.621	2.16	-	-	-	4.22	25 7/8	33
3042	24.618	15.621	2.67	-	-	-	5.16	25 7/8	39
3048	24.618	18.621	3.18	-	-	-	6.10	25 7/8	45
3054	24.618	21.621	3.70	-	-	-	7.03	25 7/8	51
3060	24.618	24.621	4.21	-	-	Y	7.97	25 7/8	57
3066	24.618	27.621	4.72	-	-	Y	8.91	25 7/8	63
3072	24.618	30.621	5.23	Y	-	Y	9.85	25 7/8	69
3636	30.618	12.621	2.68	-	-	-	5.35	31 7/8	33
3642	30.618	15.621	3.32	-	-	-	6.53	31 7/8	39
3648	30.618	18.621	3.96	-	-	Y	7.72	31 7/8	45
3654	30.618	21.621	4.60	-	-	Y	8.91	31 7/8	51
3660	30.618	24.621	5.24	Y	-	Y	10.10	31 7/8	57
3660e	31.243	26.354	5.72	Y	Y	Y	10.10	31 7/8	57
3666	30.618	27.621	5.87	Y	Y	Y	11.28	31 7/8	63
3672	30.618	30.621	6.51	Y	Y	Y	12.47	31 7/8	69
4236	36.618	12.621	3.21	-	-	-	6.47	37 7/8	33
4242	36.618	15.621	3.97	-	-	Y	7.91	37 7/8	39
4248	36.618	18.621	4.74	-	-	Y	9.35	37 7/8	45
4254	36.618	21.621	5.50	Y	-	Y	10.78	37 7/8	51
4260	36.618	24.621	6.26	Y	Y	Y	12.22	37 7/8	57
4266	36.618	27.621	7.02	Y	Y	Y	13.66	37 7/8	63
4272	36.618	30.621	7.79	Y	Y	Y	15.10	37 7/8	69
4836	42.618	12.621	3.74	-	-	-	7.60	43 7/8	33
4842	42.618	15.621	4.62	-	-	Y	9.28	43 7/8	39
4848	42.618	18.621	5.51	Y	-	Y	10.97	43 7/8	45
4854	42.618	21.621	6.40	Y	Y	Y	12.66	43 7/8	51
4860	42.618	24.621	7.29	Y	Y	Y	14.35	43 7/8	57
4866	42.618	27.621	8.17	Y	Y	Y	16.03	43 7/8	63
4872	42.618	30.621	9.06	Y	Y	Y	17.72	43 7/8	69



Egress Conversions	
Width	R.O. - 5.382"
Height	R.O. / 2 - 5.379"

Egress Conversions - Egress Prep (3660e)	
Width	R.O. - 4.757"
Height	R.O. / 2 - 3.646"

*** Egress Code Compliance Terminology**

- Y Meets Code
- Does Not Meet Code

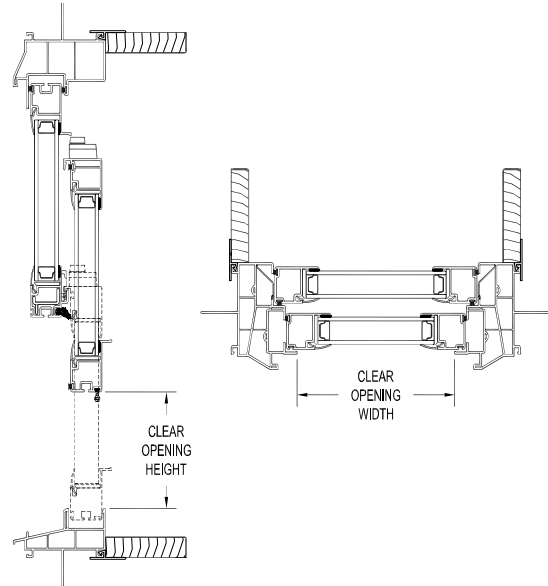
Code Requirements	Min Width	Min Height	Min Area (sq.ft.)
U.S.	20"	24"	5.7
U.S. Grade Floor	20"	24"	5.0
Canada	15"	15"	3.77

Next Dimension Signature Series

DOUBLE HUNG

EGRESS, LITE & SCREEN MEASUREMENTS

Egress, Lite and Vent Measurements									
Double Hung									
Size	Egress Width	Egress Height	Sq. Ft. Egress	Egress Code Compliance*			Sq. Ft. Daylite	Screen Size	
				U.S.		Canada		Width	Height
				5.0 ft ²	5.7 ft ²				
Cottage									
2460	18.618	30.621	3.96	-	-	Y	5.88	19 7/8	57
2466	18.618	33.621	4.35	-	-	Y	6.57	19 7/8	63
2472	18.618	36.621	4.73	-	-	Y	7.26	19 7/8	69
3060	24.618	30.621	5.23	Y	-	Y	8.01	25 7/8	57
3066	24.618	33.621	5.75	Y	Y	Y	8.95	25 7/8	63
3072	24.618	36.621	6.26	Y	Y	Y	9.88	25 7/8	69
3660	30.618	30.621	6.51	Y	Y	Y	10.13	31 7/8	57
3666	30.618	33.621	7.15	Y	Y	Y	11.32	31 7/8	63
3672	30.618	36.621	7.79	Y	Y	Y	12.51	31 7/8	69
4260	36.618	30.621	7.79	Y	Y	Y	12.26	37 7/8	57
4266	36.618	33.621	8.55	Y	Y	Y	13.70	37 7/8	63
4272	36.618	36.621	9.31	Y	Y	Y	15.13	37 7/8	69
4860	42.618	30.621	9.06	Y	Y	Y	14.38	37 7/8	57
4866	42.618	33.621	9.95	Y	Y	Y	16.07	37 7/8	63
4872	42.618	36.621	10.84	Y	Y	Y	17.76	37 7/8	69
Oriel									
2460	18.618	18.621	2.41	-	-	-	5.81	19 7/8	57
2466	18.618	21.621	2.80	-	-	-	6.50	19 7/8	63
2472	18.618	24.621	3.18	-	-	-	7.18	19 7/8	69
3060	24.618	18.621	3.18	-	-	-	7.93	25 7/8	57
3066	24.618	21.621	3.70	-	-	-	8.87	25 7/8	63
3072	24.618	24.621	4.21	-	-	Y	9.81	25 7/8	69
3660	30.618	18.621	3.96	-	-	Y	10.06	31 7/8	57
3666	30.618	21.621	4.60	-	-	Y	11.25	31 7/8	63
3672	30.618	24.621	5.24	Y	-	Y	12.43	31 7/8	69
4260	36.618	18.621	4.74	-	-	Y	12.18	37 7/8	57
4266	36.618	21.621	5.50	Y	-	Y	13.62	37 7/8	63
4272	36.618	24.621	6.26	Y	Y	Y	15.06	37 7/8	69
4860	42.618	18.621	5.51	Y	-	Y	14.31	37 7/8	57
4866	42.618	21.621	6.40	Y	-	Y	16.00	37 7/8	63
4872	42.618	24.621	7.29	Y	Y	Y	17.68	37 7/8	69



Egress Conversions - Cottage	
Width	R.O. - 5.382"
Height	R.O. + .621"

Egress Conversions - Oriel	
Width	R.O. - 5.382"
Height	R.O. / 2 - 11.379"

*** Egress Code Compliance Terminology**

- Y Meets Code
- Does Not Meet Code

Code Requirements	Min Width	Min Height	Min Area (sq.ft.)
U.S.	20"	24"	5.7
U.S. Grade Floor	20"	24"	5.0
Canada	15"	15"	3.77