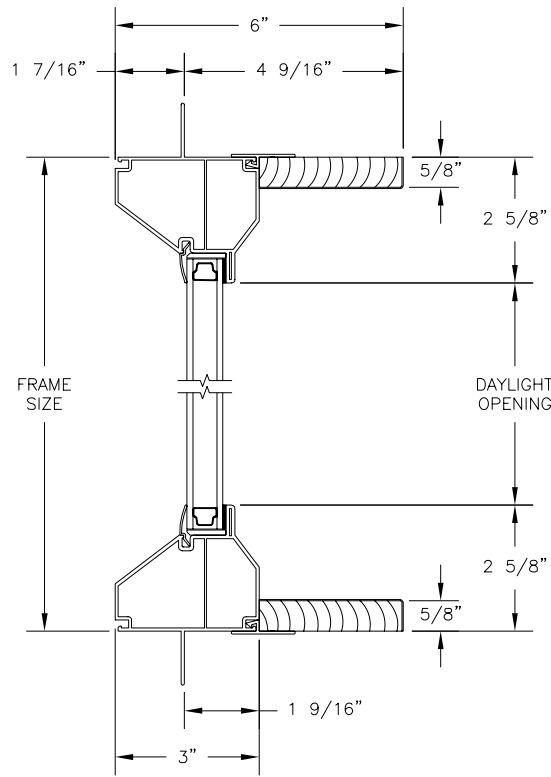


Next Dimension Signature Series

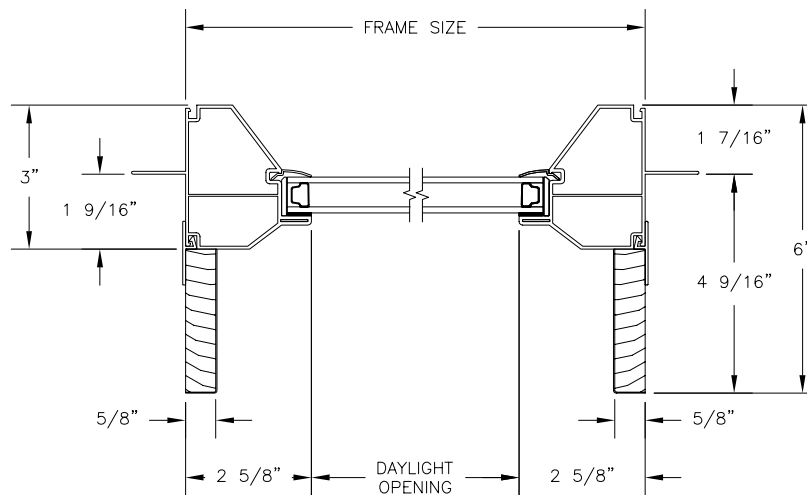
SINGLE & DOUBLE HUNG FIXED

SECTION DETAILS: STANDARD FRAME

SCALE: 3" = 1'-0"



HEAD JAMB & SILL



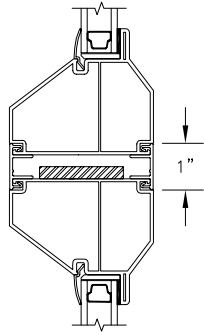
JAMBS

Next Dimension Signature Series

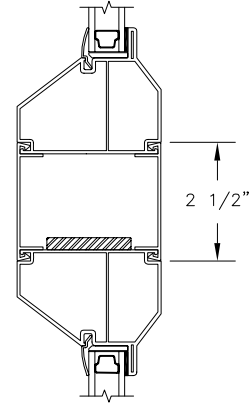
SINGLE & DOUBLE HUNG FIXED

SECTION DETAILS: MULLIONS

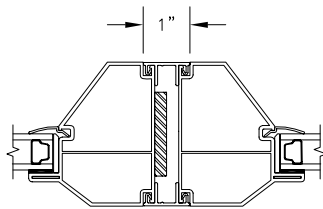
SCALE: 3" = 1'-0"



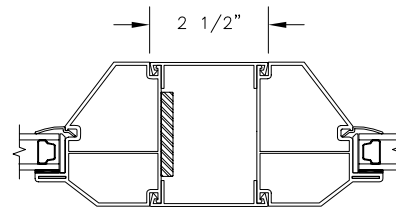
HORIZONTAL MULLION
FIXED/FIXED



HORIZONTAL 2" MULLION
FIXED/FIXED



VERTICAL MULLION
FIXED/FIXED

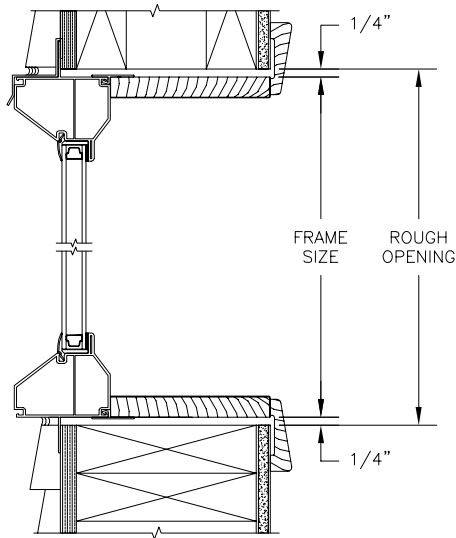


VERTICAL 2" MULLION
FIXED/FIXED

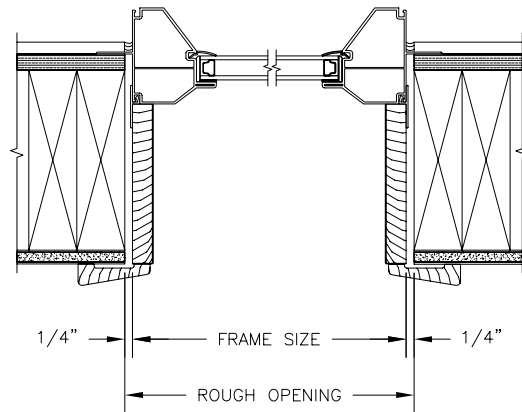
Next Dimension Signature Series

SINGLE & DOUBLE HUNG FIXED

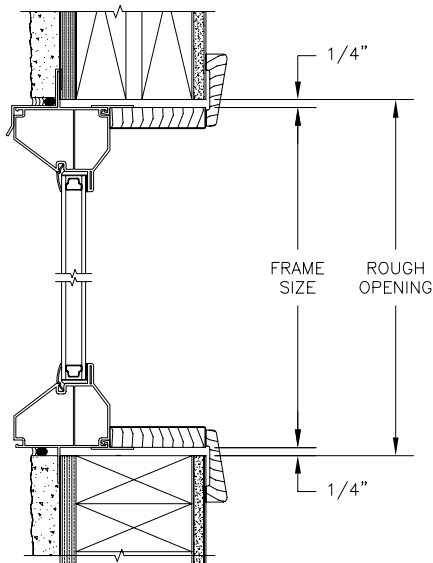
SECTION DETAILS : CONSTRUCTION
 SCALE: 2" = 1'-0"



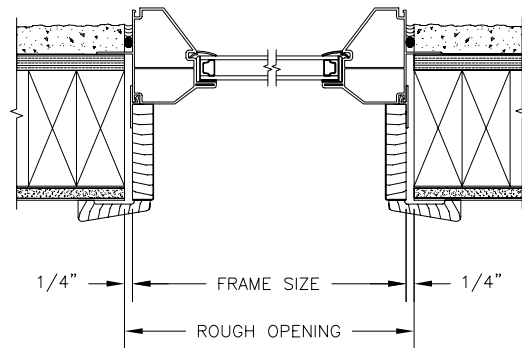
HEAD JAMB & SILL
 2 X 6 FRAME WITH SIDING



JAMBS
 2 X 6 FRAME WITH SIDING



HEAD JAMB & SILL
 2 X 4 FRAME WITH STUCCO



JAMBS
 2 X 4 FRAME WITH STUCCO

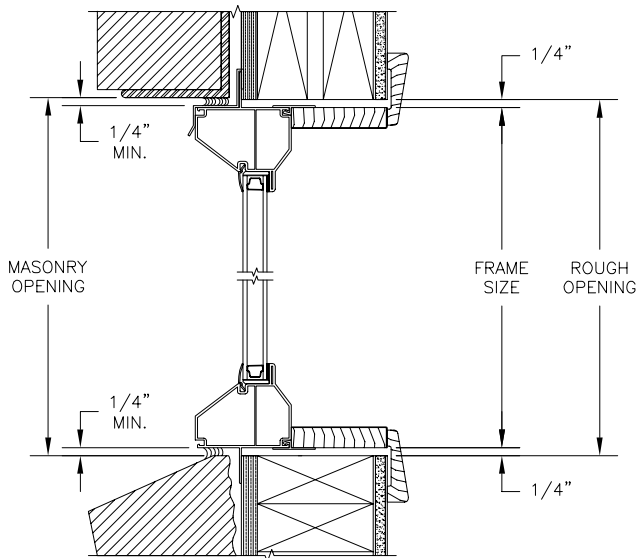
NOTE:
 THE ABOVE WALL SECTIONS REPRESENT TYPICAL WALL CONDITIONS, THESE DETAILS ARE NOT INTENDED AS INSTALLATIONS INSTRUCTIONS. PLEASE REFER TO THE INSTALLATION INSTRUCTIONS PROVIDED WITH THE PURCHASED UNITS.

Next Dimension Signature Series

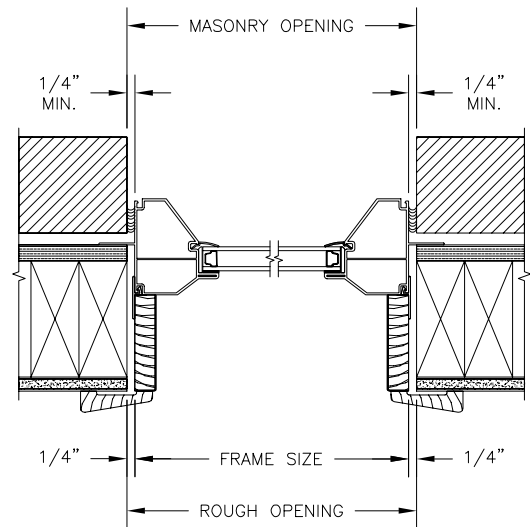
FIXED

SECTION DETAILS : CONSTRUCTION

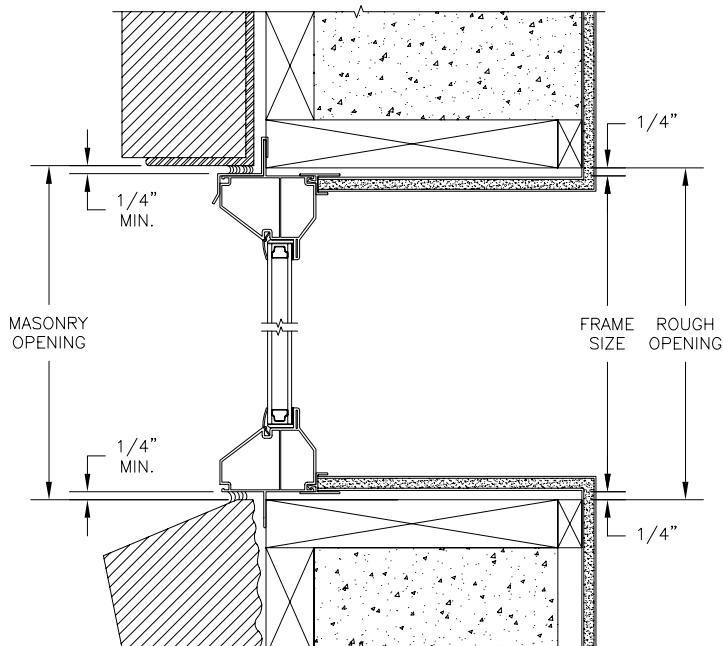
SCALE: 2" = 1'-0"



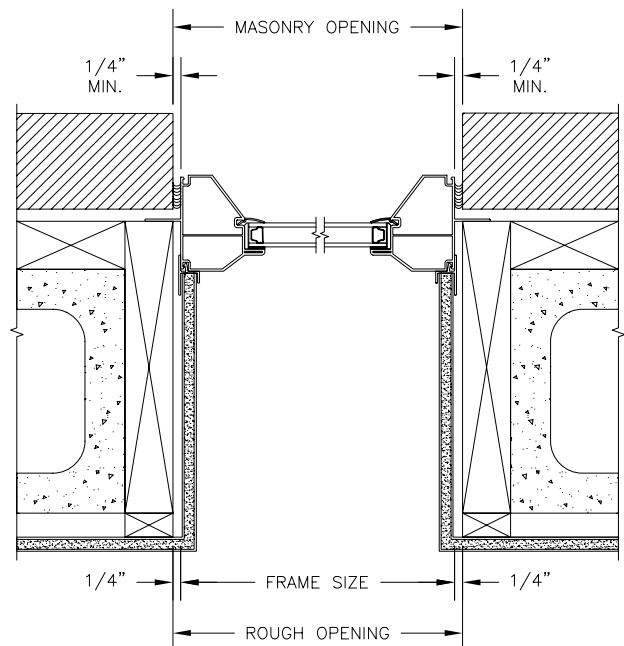
HEAD JAMB & SILL
2 X 4 FRAME WITH BRICK VENEER



JAMBS
2 X 4 FRAME WITH BRICK VENEER



HEAD JAMB & SILL
8" CONCRETE BLOCK WALL
WITH BRICK VENEER



JAMBS
8" CONCRETE BLOCK WALL
WITH BRICK VENEER

NOTE:
THE ABOVE WALL SECTIONS REPRESENT TYPICAL WALL CONDITIONS, THESE DETAILS ARE NOT INTENDED AS INSTALLATIONS INSTRUCTIONS. PLEASE REFER TO THE INSTALLATION INSTRUCTIONS PROVIDED WITH THE PURCHASED UNITS.