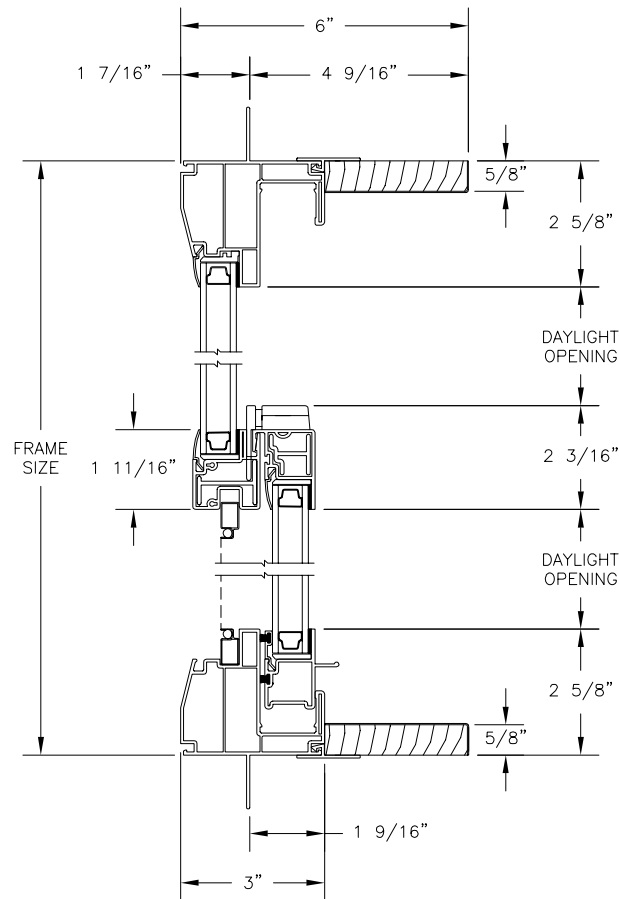


Next Dimension Signature Series

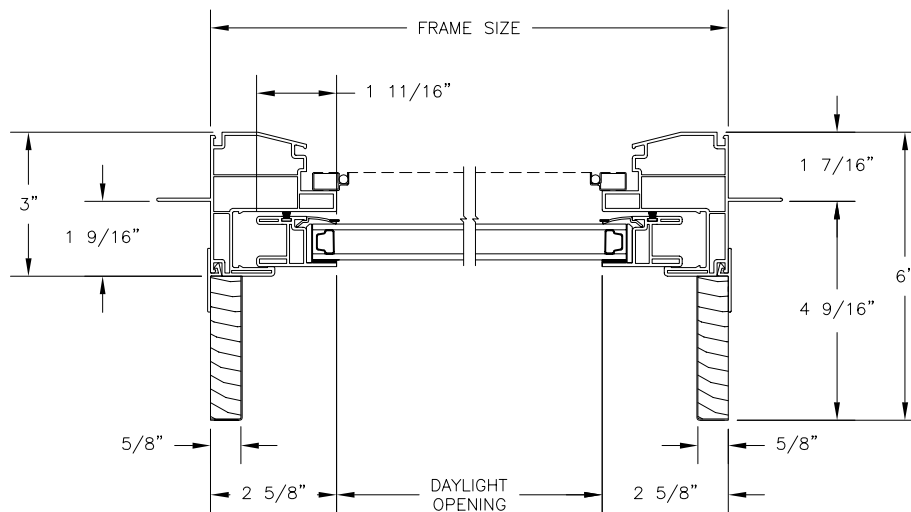
SINGLE HUNG

SECTION DETAILS: STANDARD FRAME

SCALE: 3" = 1'-0"



HEAD JAMB & SILL



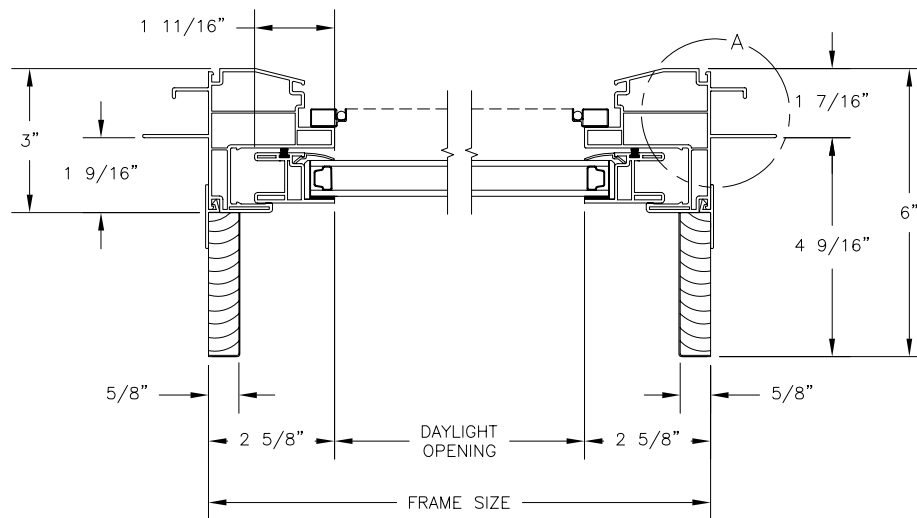
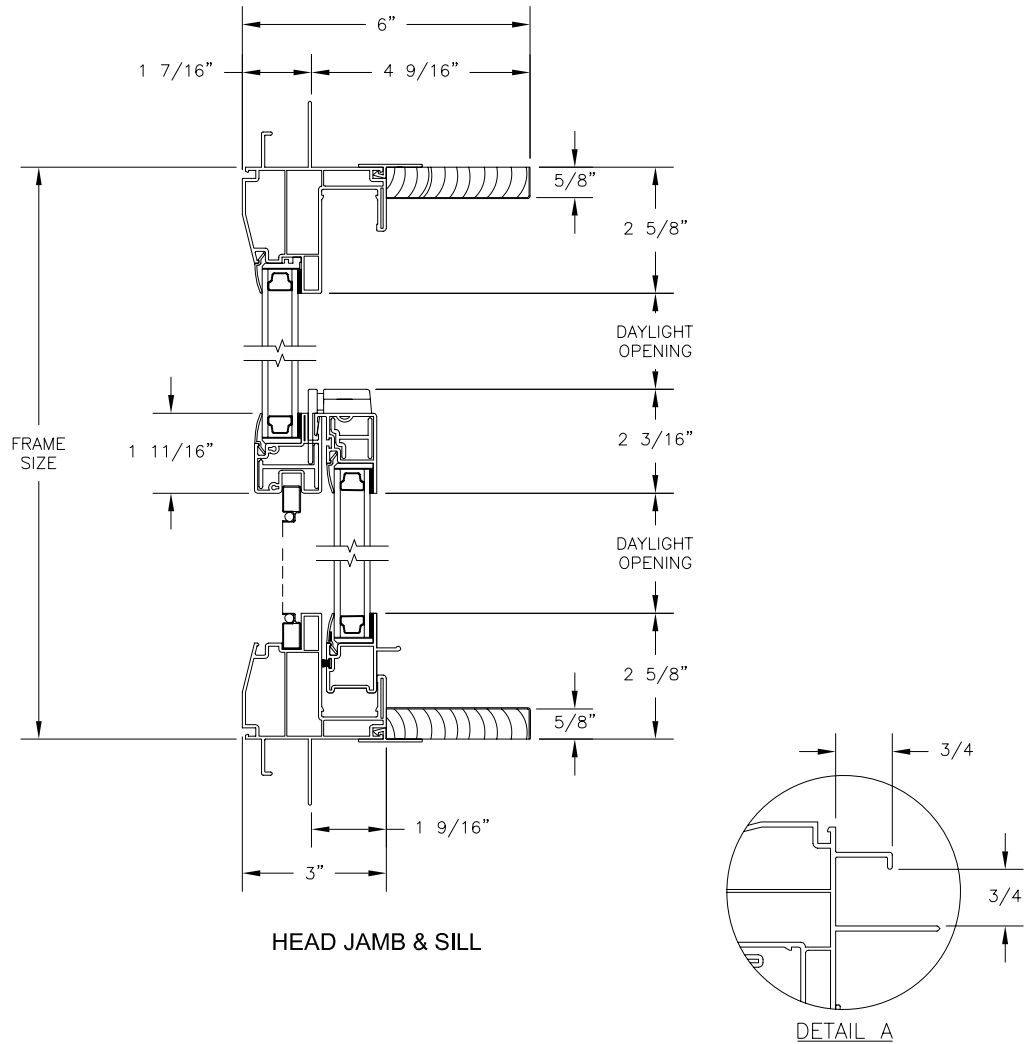
JAMBS

Next Dimension Signature Series

SINGLE HUNG

SECTION DETAILS: J-CANNEL FRAME

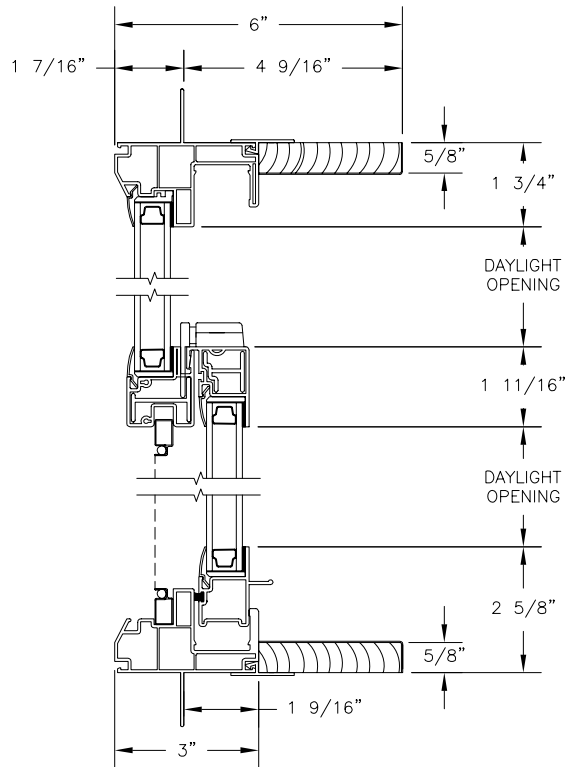
SCALE: 3" = 1'-0"



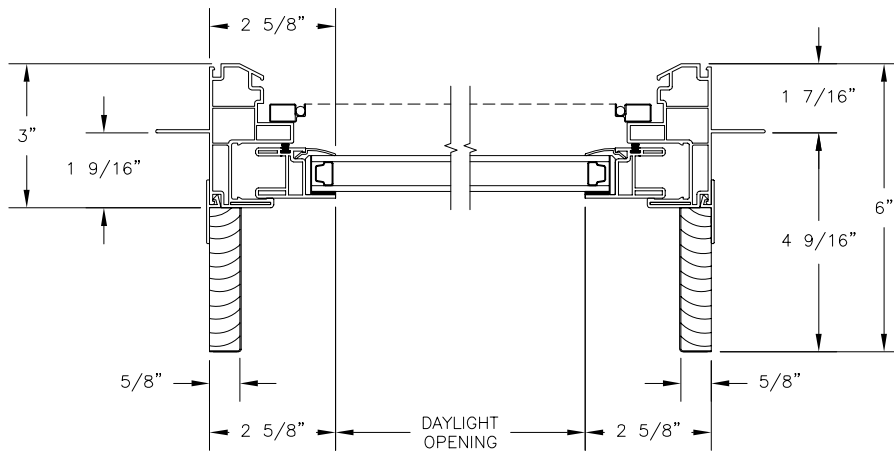
Next Dimension Signature Series

SINGLE HUNG

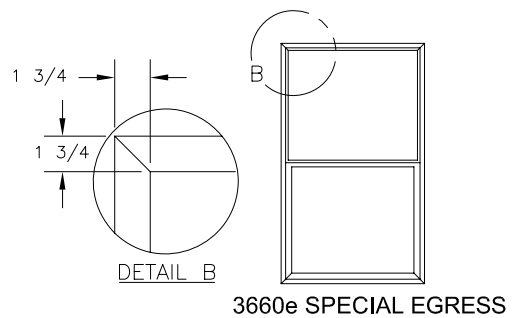
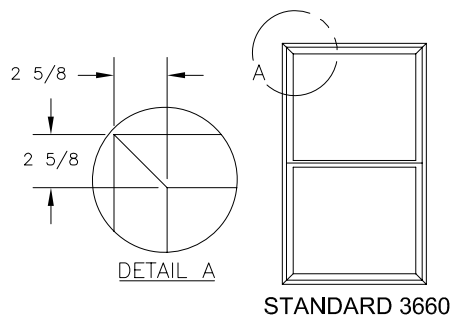
SECTION DETAILS: 3660e (SPECIAL EGRESS)
 SCALE: 3" = 1'-0"



HEAD JAMB & SILL



JAMBS

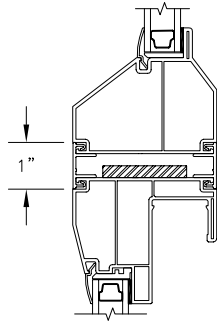


Next Dimension Signature Series

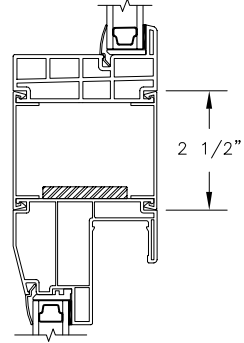
SINGLE HUNG

SECTION DETAILS: MULLIONS

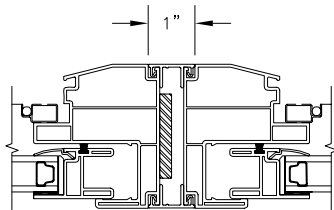
SCALE: 3" = 1'-0"



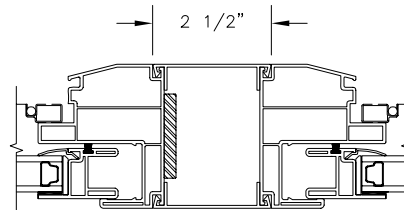
HORIZONTAL MULLION
FIXED/OPERATOR



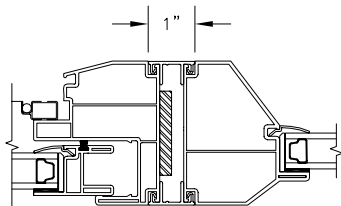
HORIZONTAL 2" MULLION
RADIUS/OPERATOR



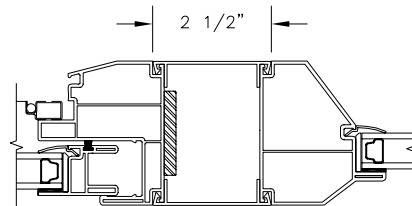
VERTICAL MULLION
OPERATOR/OPERATOR



VERTICAL 2" MULLION
OPERATOR/OPERATOR



VERTICAL MULLION
OPERATOR/FIXED



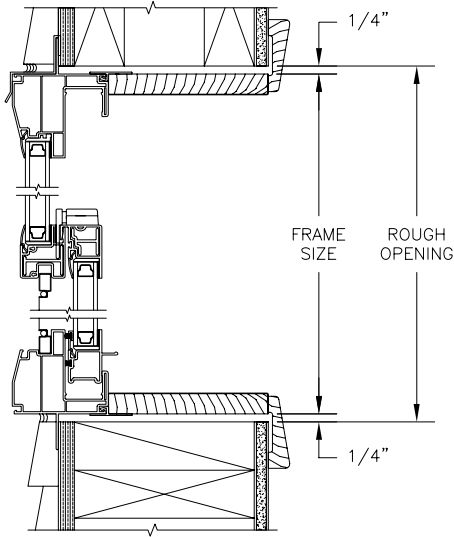
VERTICAL 2" MULLION
OPERATOR/FIXED

Next Dimension Signature Series

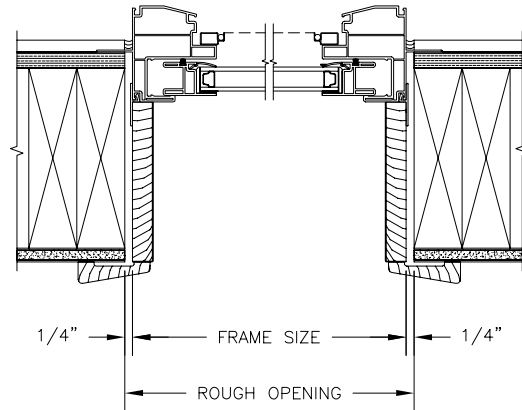
SINGLE HUNG

SECTION DETAILS : CONSTRUCTION

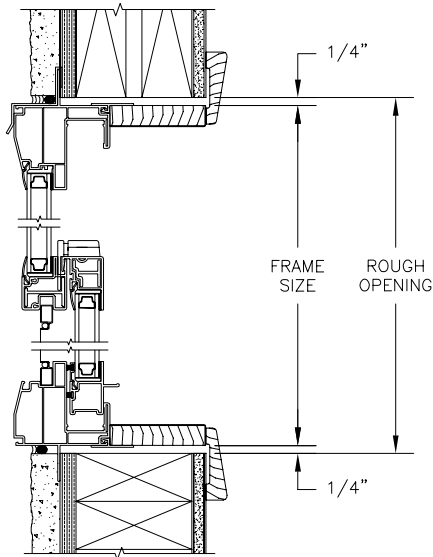
SCALE: 2" = 1'-0"



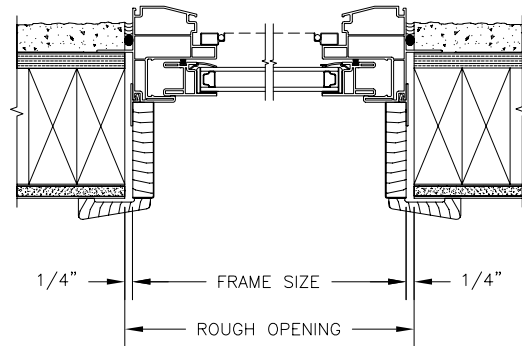
HEAD JAMB & SILL
2 X 6 FRAME WITH SIDING



JAMBS
2 X 6 FRAME WITH SIDING



HEAD JAMB & SILL
2 X 4 FRAME WITH STUCCO



JAMBS
2 X 4 FRAME WITH STUCCO

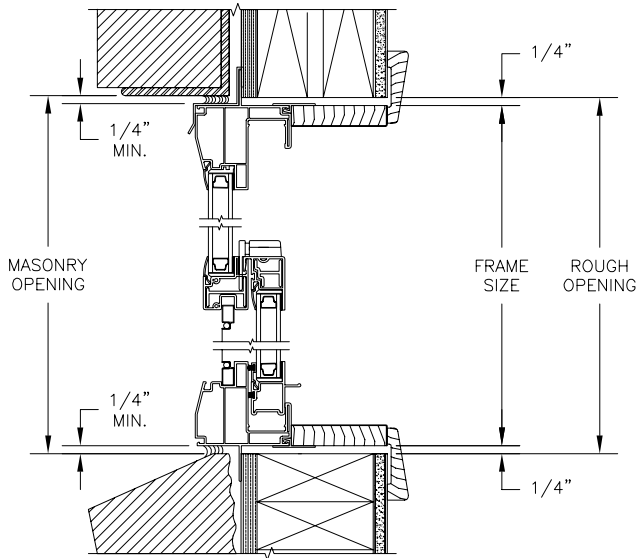
NOTE:
THE ABOVE WALL SECTIONS REPRESENT TYPICAL WALL CONDITIONS, THESE DETAILS ARE NOT INTENDED AS INSTALLATIONS INSTRUCTIONS. PLEASE REFER TO THE INSTALLATION INSTRUCTIONS PROVIDED WITH THE PURCHASED UNITS.

Next Dimension Signature Series

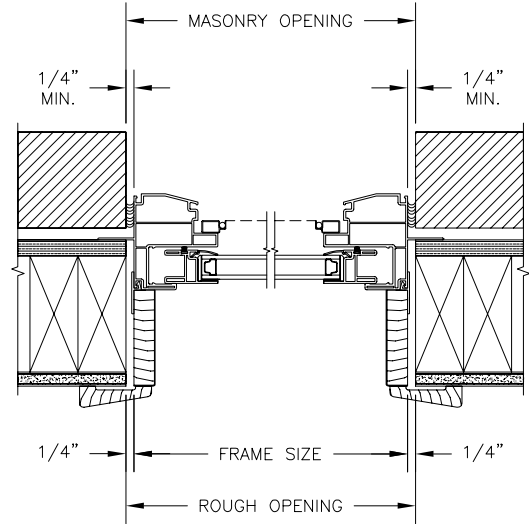
SINGLE HUNG

SECTION DETAILS : CONSTRUCTION

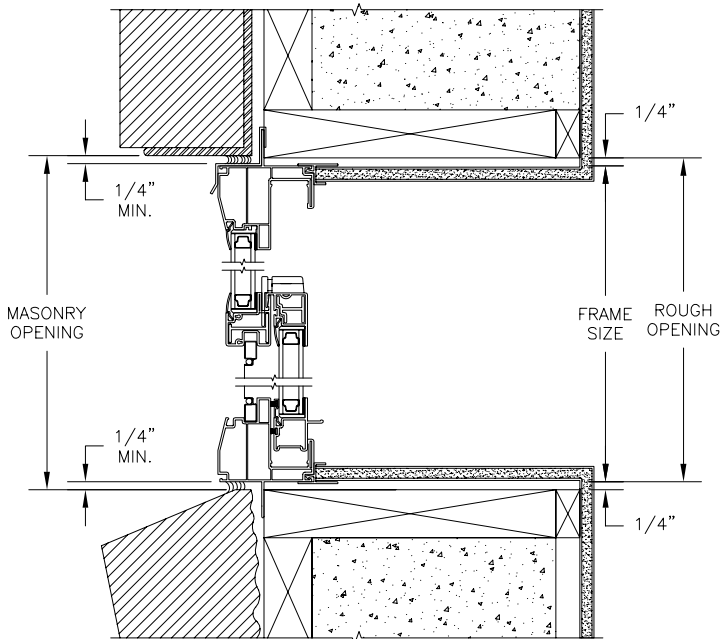
SCALE: 2" = 1'-0"



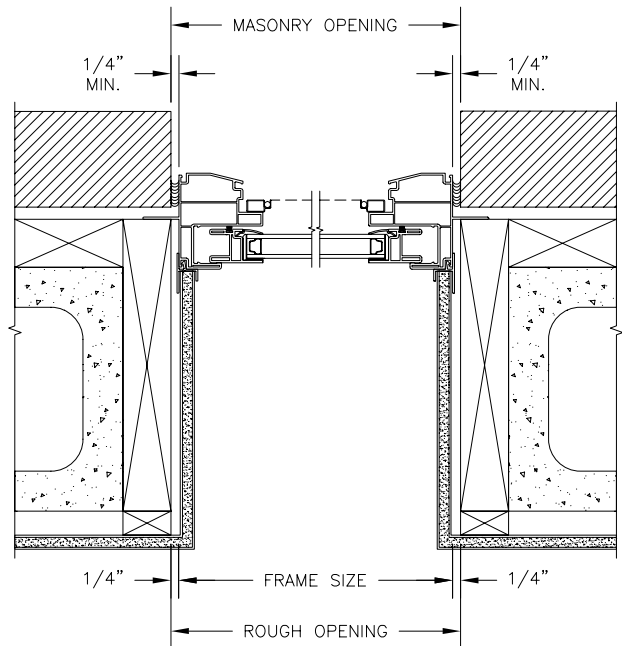
HEAD JAMB & SILL
2 X 4 FRAME WITH BRICK VENEER



JAMBS
2 X 4 FRAME WITH BRICK VENEER



HEAD JAMB & SILL
8" CONCRETE BLOCK WALL
WITH BRICK VENEER



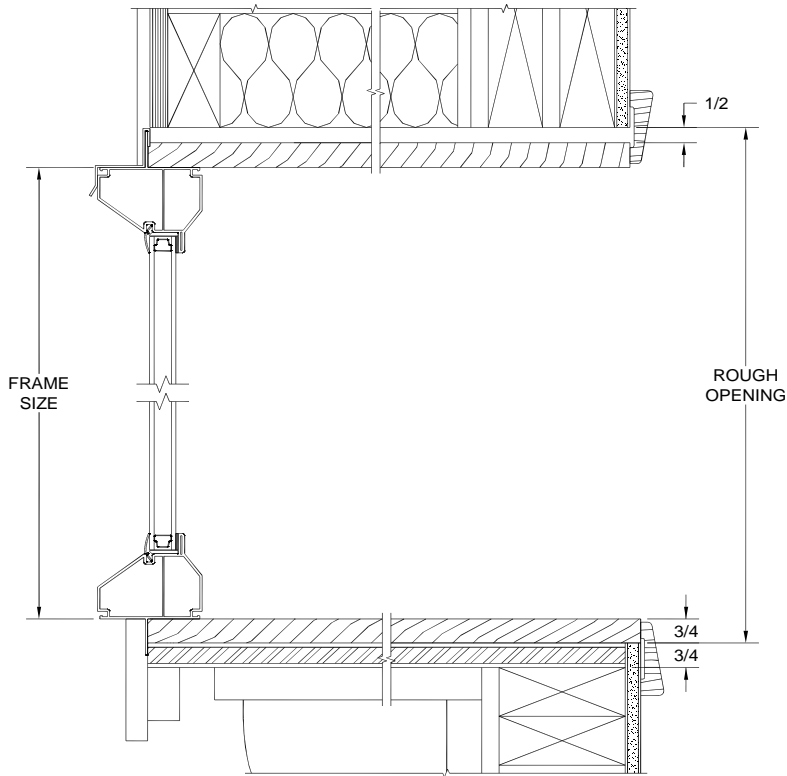
JAMBS
8" CONCRETE BLOCK WALL
WITH BRICK VENEER

NOTE:
THE ABOVE WALL SECTIONS REPRESENT TYPICAL WALL CONDITIONS, THESE DETAILS ARE NOT INTENDED AS INSTALLATIONS INSTRUCTIONS. PLEASE REFER TO THE INSTALLATION INSTRUCTIONS PROVIDED WITH THE PURCHASED UNITS.

Next Dimension Signature Series

SINGLE HUNG

SECTION DETAILS : BAY
NOT TO SCALE



NOTES:

Standard set-up unit has hardware, weatherstrip, drip cap, screens and head and seat boards applied. Standard jamb with extender is 4 9/16". Head and seat boards are select pine, edge-glued, finger-jointed and sanded, 1" finished thickness. Optional 3/4" veneered head and seat boards are available in clear pine and oak.

Rough and masonry opening heights include head and seat boards. If head and seat boards are not specified, subtract 3/4" for each board. Construction materials supplied by others.

* Projection is defined as the dimension from the back of the nailing flange to the exterior of the wall sheathing.

OPTIONS:

Bay units must be configured from standard size units. An almost infinite number of combinations are possible from a wide range of standard units available. Add together casement windows of the same height to create any grouping desired.

Height Measurements	
BAY	
Height	R.O. Height
48	4-2
54	4-8
60	5-2

Next Dimension Signature Series

SINGLE HUNG

SECTION DETAILS : 30/45 DEGREE ANGLE BAY HORIZONTAL SECTIONS

SCALE: 3" = 1'-0"

