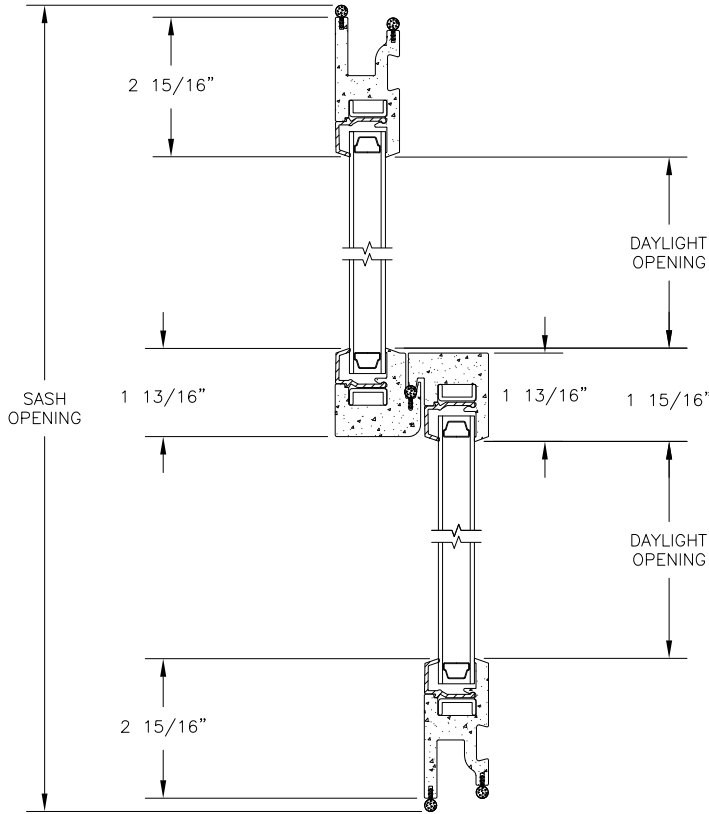


# Win-Pac

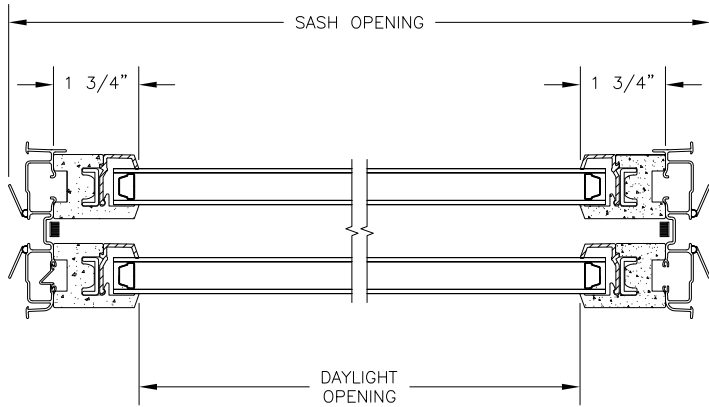
## LEGEND DOUBLE HUNG

SECTION DETAILS : WIN-PAC REPLACEMENT KIT

SCALE: 3" = 1'-0"



HEAD JAMB & SILL



JAMBS