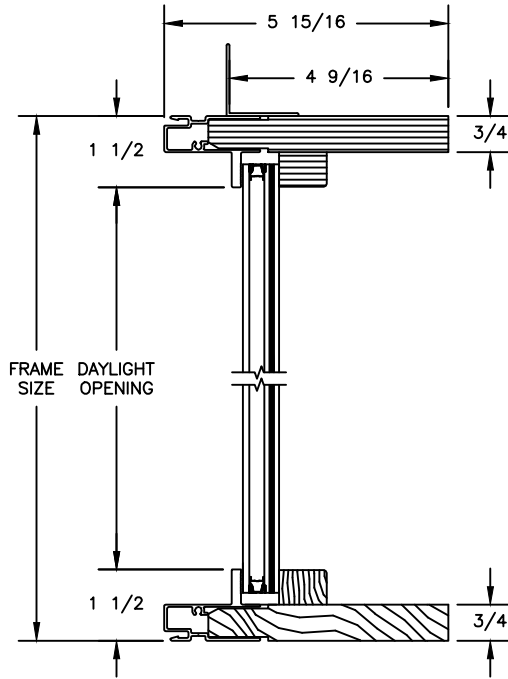


Pinnacle Impact Series

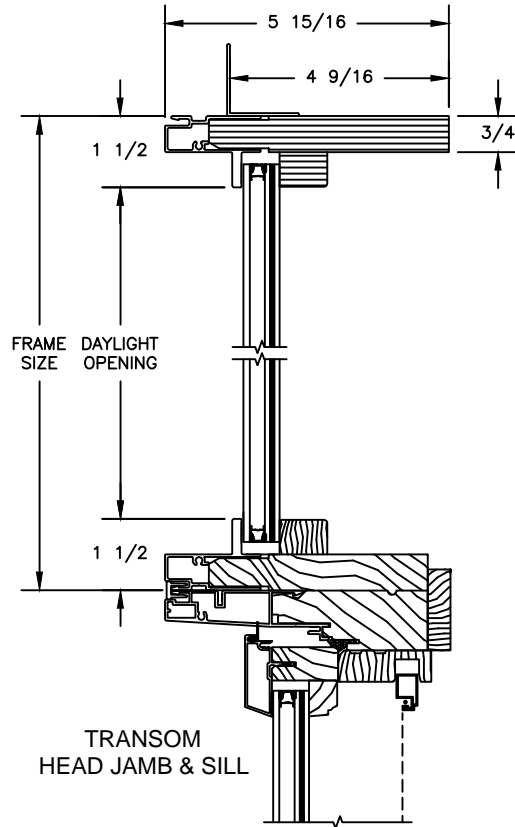
CLAD RADIUS CASEMENT

SECTION DETAILS: HALF ROUND

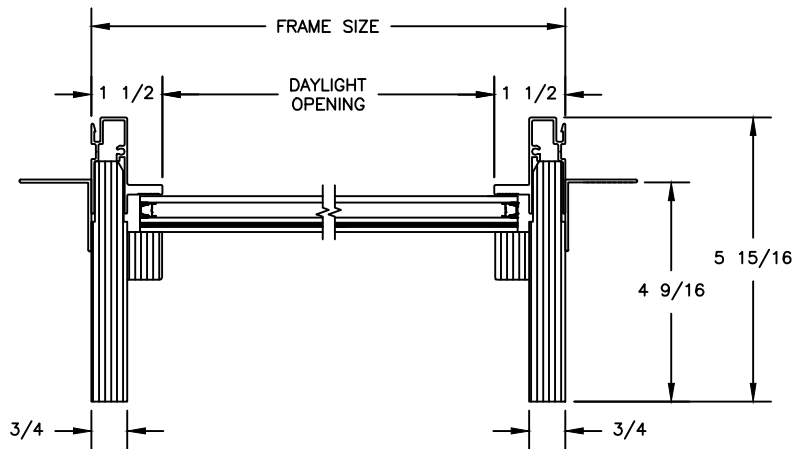
SCALE: 3" = 1'-0"



HEAD JAMB & SILL

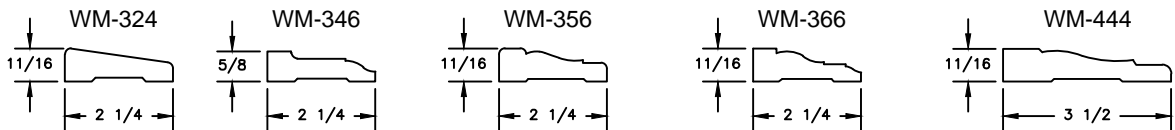


TRANSOM
HEAD JAMB & SILL



HALF ROUNDS, FULL ROUNDS & OVALS
JAMB

AVAILABLE INTERIOR TRIM PROFILES

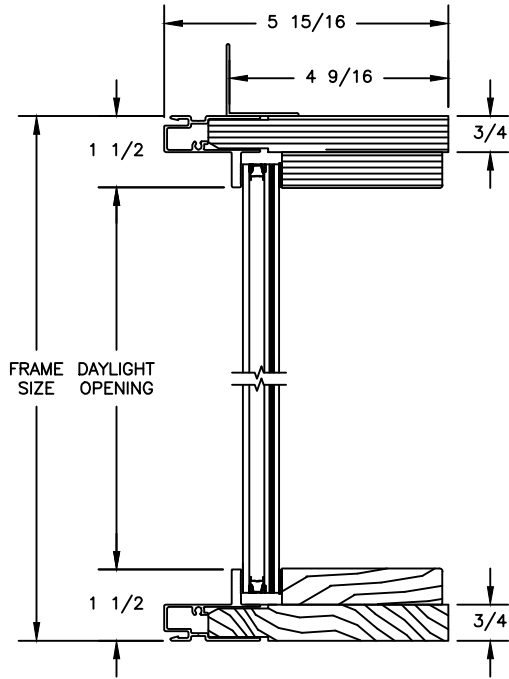


Pinnacle Impact Series

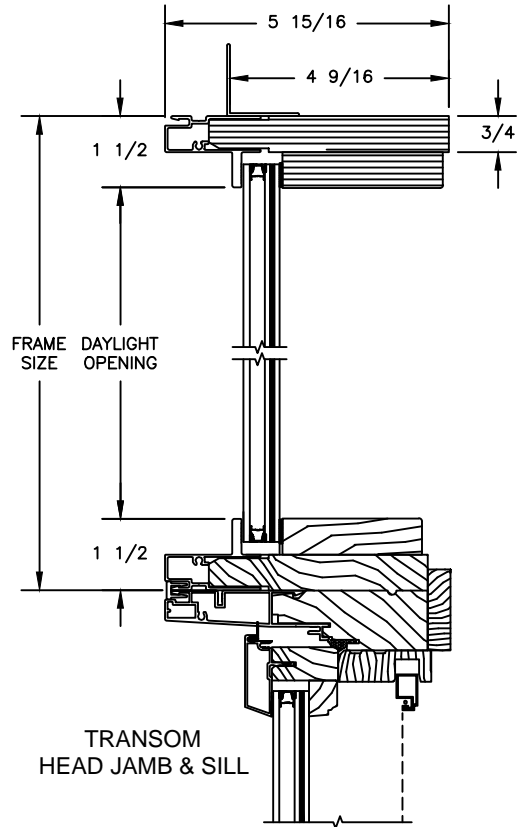
CLAD RADIUS CASEMENT

SECTION DETAILS: HALF ROUND WITH CONTEMPORARY STOPS

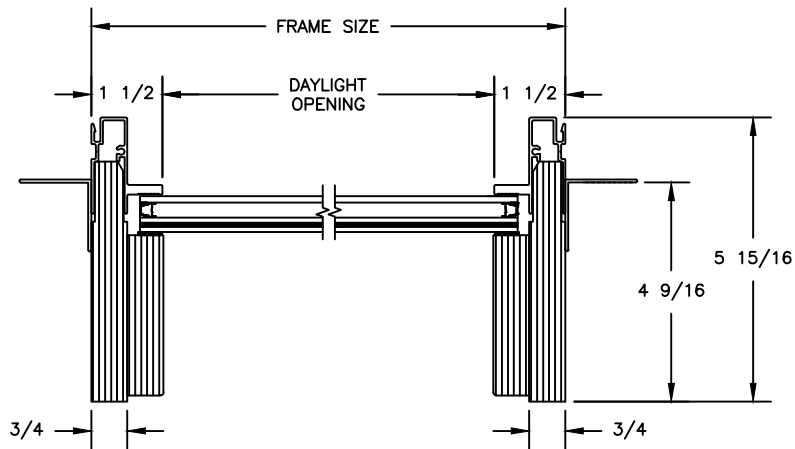
SCALE: 3" = 1'-0"



HEAD JAMB & SILL

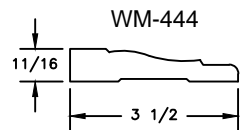
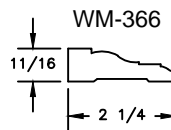
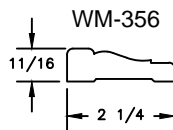
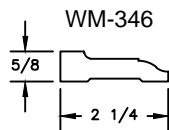
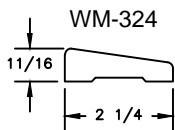


TRANSOM
HEAD JAMB & SILL



HALF ROUNDS, FULL ROUNDS & OVALS
JAMB

AVAILABLE INTERIOR TRIM PROFILES

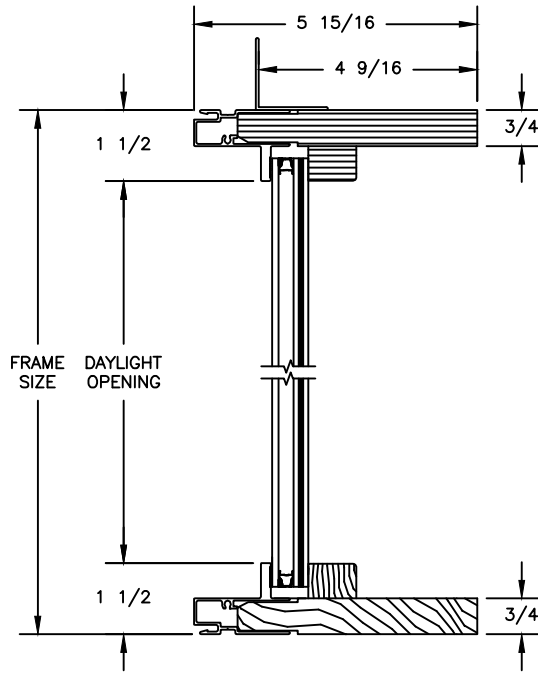


Pinnacle Impact Series

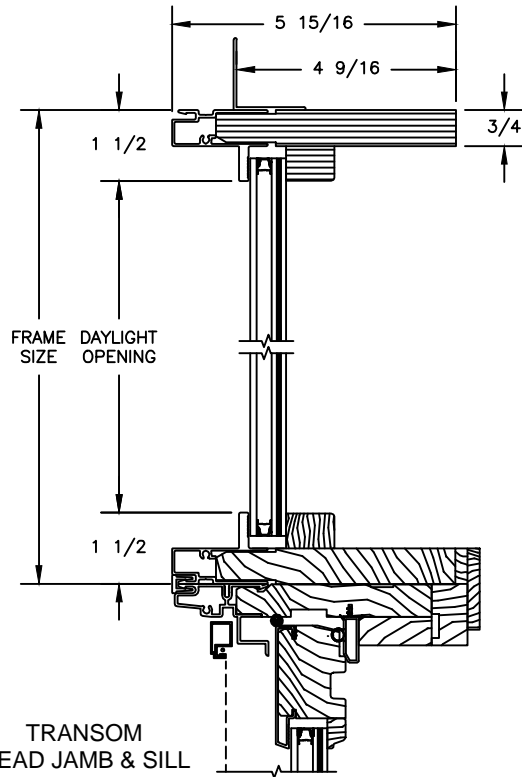
CLAD RADIUS DOUBLE HUNG

SECTION DETAILS: HALF ROUND

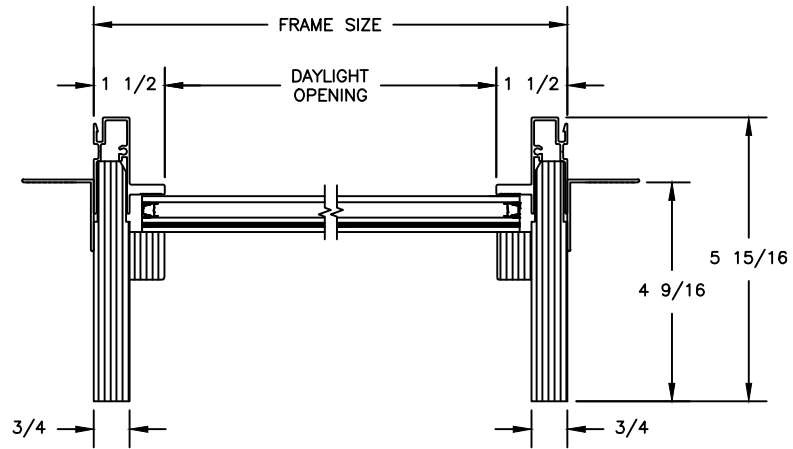
SCALE: 3" = 1'-0"



HEAD JAMB & SILL

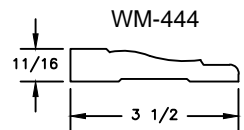
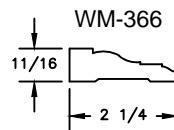
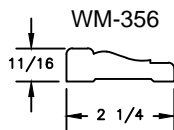
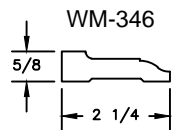
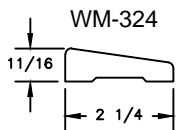


TRANSOM
HEAD JAMB & SILL



HALF ROUNDS, FULL ROUNDS & OVALS
JAMB

AVAILABLE INTERIOR TRIM PROFILES

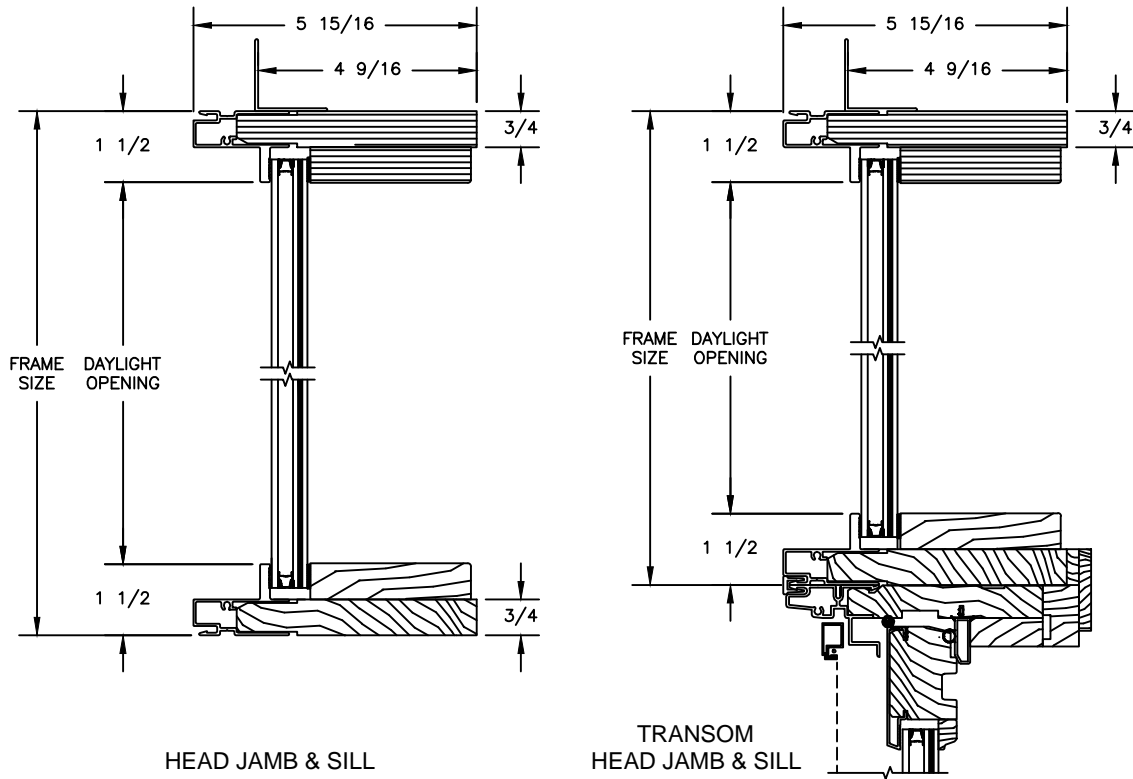


Pinnacle Impact Series

CLAD RADIUS DOUBLE HUNG

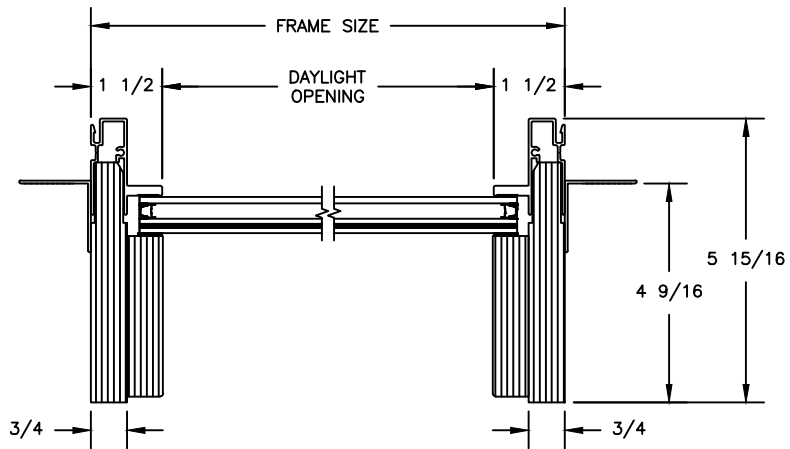
SECTION DETAILS: HALF ROUND WITH CONTEMPORARY STOPS

SCALE: 3" = 1'-0"



HEAD JAMB & SILL

TRANSOM
HEAD JAMB & SILL



HALF ROUNDS, FULL ROUNDS & OVALS
JAMB

AVAILABLE INTERIOR TRIM PROFILES

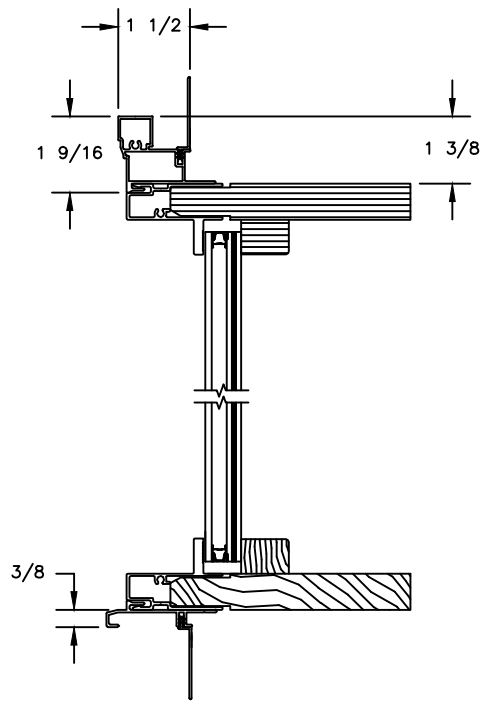


Pinnacle Impact Series

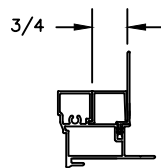
CLAD RADIUS

SECTION DETAILS : CASING OPTIONS

SCALE: 3" = 1'-0"



HEAD JAMB & SILL WITH
CLAD BRICKMOULD CASING



CLAD BRICKMOULD CASING
WITH OPTIONAL J-CHANNEL COVER




Pinnacle Impact Series

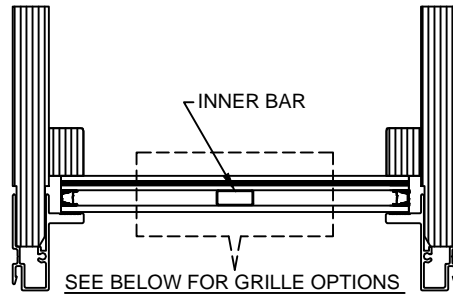
CLAD RADIUS

SECTION DETAILS : DIVIDED LITE OPTIONS

SCALE: 3" = 1'-0"

AVAILABLE STYLES

-  - PUTTY
-  - OGEE
-  - CONTEMPORARY

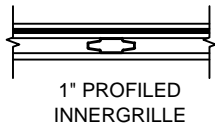
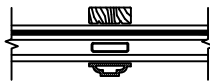
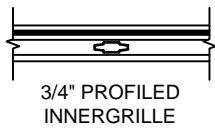
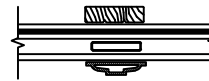
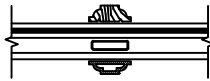


5/8" WDL WITH
INNER BAR

7/8" WDL WITH
INNERBAR

1 1/4" WDL WITH
INNERBAR

2" WDL WITH
INNERBAR



NOTE:

* ALL WDL OPTIONS CAN BE ORDERED WITH OR WITHOUT INNER BAR

* PERIMETER GRILLES ONLY AVAILABLE IN THE 7/8" AND 1 1/4" OGEE STYLE GLASS STOP (SEE DETAIL: A)